

The Ultimate Shaft Mount Reducer

Fully TXT compatible, screw conveyor ready

WorldWide Electric's Ultimate Shaft Mount Reducer is dimensionally equivalent to the popular TXT series shaft mount reducer to provide the perfect solution for your most demanding applications. Designed to accept all TXT compatible accessories without issue, The Ultimate allows you to take full advantage of your existing safety stock and installed base. For new applications, WorldWide Electric offers a complete line of our own motor mounts, belt guards, tapered bushing kits and backstops to complement your operations.

Specifications

- Housing: Cast iron
- Box Size: 2-9
- Speed Ratio: 9:1, 15:1, 25:1
- Compatibility: TXT compatible drop-in; Torque arm included; Screw conveyor ready (sizes 2-6)
- Warranty: Three-year warranty

In-Stock and Ready to Ship

We aim to make our customers more competitive by stocking the products they need and responding to their requirements with a shared sense of urgency. With \$50 million of ready-to-ship inventory at six regional US warehouses, we're ready to assist you!

For more details, visit wwec.co/WSMR

Product Features

- 9:1, 15:1 and 25:1 ratios
- Box sizes 2 – 9
- Tapered bushing type (bushing not included)
- Premium quality ball and tapered bearings – double lip seals
- Shafts and gears manufactured from high grade steel, case hardened and precision ground to A.G.M.A. standards
- Industrial grade all-cast iron housings
- Extended gear centers and tooth contact
- Metal reinforced double lip, spring loaded oil seals
- Dimensional drop-in for all major makes
- Torque arm included
- Made in Taiwan (high level of manufacturing expertise)
- 3 year warranty

For more information, including full compliance and specifications, visit wwec.co/WSMR

Available Models

Box Size	Ratio	Output Bore
2	9:1, 15:1, 25:1	1 15/16"
3	9:1, 15:1, 25:1	2 3/16"
4	9:1, 15:1, 25:1	2 7/16"
5	9:1, 15:1, 25:1	2 15/16"
6	9:1, 15:1, 25:1	3 7/16"
7	15:1 or 25:1	3 15/16"
8	15:1 or 25:1	4 7/16"
9	15:1 or 25:1	4 15/16"

Available Accessories

WorldWide Electric's industry grade accessories are designed to fit TXT compatible series shaft mount reducers. [Learn more at wwec.co/SMRGA](http://wwec.co/SMRGA)



¹Suitable for use in WorldWide Electric shaft mount reducers only

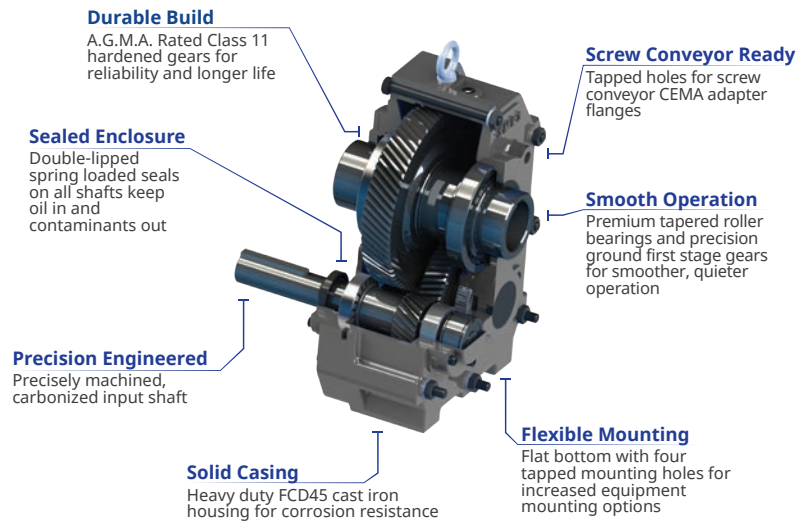
Model Number Selection

Each model number contains the product family, box size, and ratio.

WSMR	2	-	25/1
Product Family	Box Size		Ratio*

For example, model number "WSMR2-25/1" is an Ultimate Shaft Mount Reducer with a box size of 2 and a ratio of 25:1.

*When selecting ratio, replace the colon with a slash. 25:1 becomes 25/1.



Additional Shaft Mount Reducer Options

WorldWide Electric also offers the Eliminator Shaft Mount Reducer, designed for traditional TXT conveyor applications and screw conveyor applications, and the Ultimate Shaft Mount Reducer, designed for rugged screw conveying applications. [Learn more at wwec.co/gearboxes](http://wwec.co/gearboxes)



WorldWide Electric Corporation is a leading manufacturer of electric motors, motor controls, and gear reducers as well as the exclusive master distributor of Hyundai Electric's low-voltage motors and drives. Offering fast, often same-day, shipping from six regional US warehouses, WorldWide Electric takes pride in providing a competitive edge to our customers by responding to their requirements with urgency, technical expertise, and professionalism.

GRUSM062021