



The Eliminator Shaft Mount Reducer

Fully TXT compatible, screw conveyor ready

The Eliminator Shaft Mount Reducer is designed for traditional TXT conveyor applications as well as screw conveyor applications. Dimensionally equivalent to the popular TXT series shaft mount reducer, the Eliminator accepts CEMA-rated screw conveyor flanges, CEMA-rated drive shafts, and all TXT compatible accessories. The universal compatibility of the Eliminator allows distributors to eliminate unnecessary inventory while utilizing an existing stock of accessories and a previously installed base. For new applications, WorldWide Electric offers a complete line of motor mounts, belt guards, tapered bushing kits and backstops to complement your operations.

Key Features

- Housing: FCD45 Cast Iron
- Box size: 2-10
- Speed Ratio: 9:1*, 15:1 and 25:1
- Torque arm included
- TXT compatible
- 2 year warranty

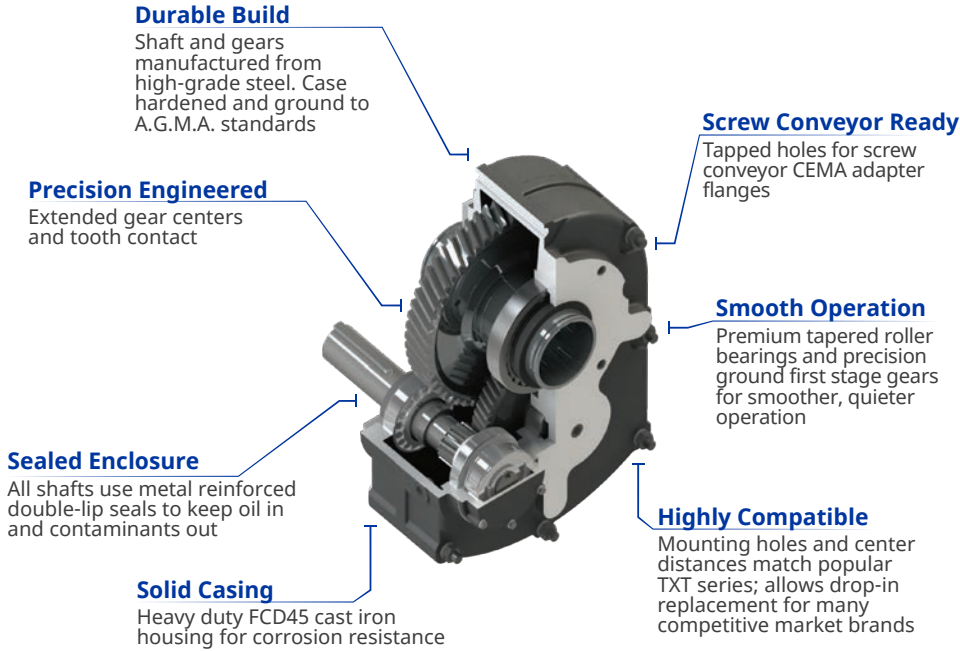
** 9:1 speed ratio available in box sizes 2-6.*

In-Stock and Ready to Ship

We aim to make our customers more competitive by stocking the products they need and responding to their requirements with a shared sense of urgency. With \$30 million of ready-to-ship inventory at six regional US warehouses, we're ready to assist you!

For more details, visit wwec.co/SCSMR

Product Features



Available Accessories

WorldWide Electric's industry-grade accessories are designed to fit TXT compatible series shaft mount reducers. Learn more at wwec.co/SMRGA



Screw Conveyor Drive Shafts



Screw Conveyor Flanges



Belt Guards



Motor Mounts



Tapered Bushing Kits



Backstop Assemblies[†]

[†]WorldWide Electric backstop assemblies are suitable for use in WorldWide Electric shaft mount reducers only.

¹When selecting ratio, replace the colon with a slash. For example, 25:1 becomes 25/1.

²To convert size for model numbers, remove the slash and follow the whole number with a period.

Model Number Selection

The Eliminator

Box Size	Ratio	Output Bore
2	9:1 15:1 25:1	1 15/16"
3		2 3/16"
4		2 7/16"
5		2 15/16"
6		3 7/16"
7		15:1 25:1
8	4 7/16"	
9	4 15/16"	
10	5 7/16"	

Sample model number: **SCSMR5-25/1**

SCSMR	5	-	25/1
--------------	----------	---	-------------

Product Family

Box Size

Ratio¹

Screw Conveyor Drive Shafts

Box Size	Size (in.)			
2	1 1/2"	2"	2 7/16"	3"
3	1 1/2"	2"	2 7/16"	3"
4	1 1/2"	2"	2 7/16"	3" 3 7/16"
5		2"	2 7/16"	3" 3 7/16"
6			2 7/16"	3" 3 7/16"

Sample model number: **5SCDS-3.716**

5	SCDS	-	3.716
----------	-------------	---	--------------

Box Size Product Family

Size²

Screw Conveyor Flanges

Box Size	2	3	4	5	6

Sample model number: **5SCF**

5	SCF
----------	------------

Box Size Product Family

GRSCSMR122019



WorldWide Electric Corporation is a leading manufacturer of electric motors, motor controls, and gear reducers as well as the exclusive master distributor of Hyundai Electric's low-voltage motors and drives. Offering fast, often same-day, shipping from six regional US warehouses, WorldWide Electric takes pride in providing a competitive edge to our customers by responding to their requirements with urgency, technical expertise, and professionalism.