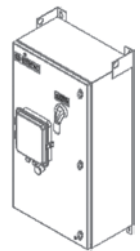
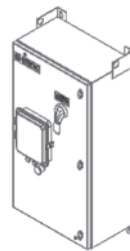




WorldWide Electric Corporation
3540 Winton Place
Rochester, NY 14623 USA
Phone: 800-808-2131
www.worldwideelectric.net

WORLDSTART Soft Starter

Overview



WORLDSTART Enclosed Soft Starter Packages feature the WORLDSTART iQ

WORLD START iQ

The WORLDSTART iQ Soft Starter enhances the productivity of your operation by reducing wear and tear on your power transmission equipment. In addition to starting and stopping your motor with precision and efficiency, the WORLDSTART iQ also helps minimize energy costs and improve operational effectiveness.

Specifications

- Output: 10-400 HP ratings at 460V
- Control Voltage: 120/230VAC
- Bypass Type: Internal
- Starting Current: True 3-phase starter, rated at 350% / 450% FLA for 30 seconds

Feature Overview

- Constant current and current ramp start
- Advanced adaptive control starting / stopping
- Kickstart starting
- Coast-to-stop and ramp-to-stop options
- DC brake
- Soft brake
- Jog (forward and reverse)
- Inside delta control (6-wire)
- Soft trip

Start-Up Commissioning & Maintenance

- Multi-language graphical display
- I/O and network expansion options
- USB port and data logging
- Analog output
- Emergency run
- SCR fail power-through operation
- Daily on / off scheduling

Advanced Protection

- Undercurrent / overcurrent
- Motor thermistor
- Current imbalance
- Phase sequence
- Phase loss
- Power loss



WORLD START nC NON-COMBINATION

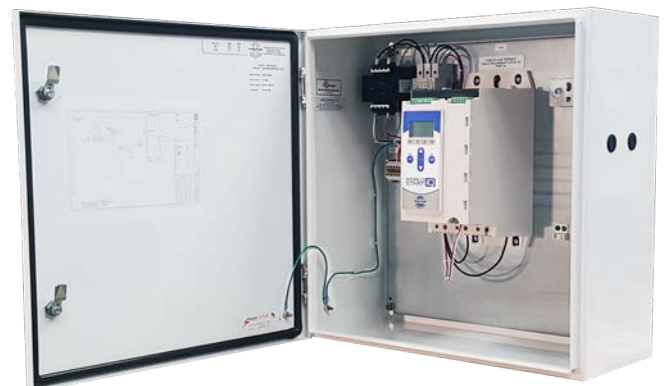
The WORLDSTART Non-Combination (nC) Soft Starter Package is for the customer that has an existing service disconnect in place. Easy installation with 3-phase in and 3-phase out, self-powered and pre-wired 120 volt control with additional bus space for customer use. The WORLDSTART Non-Combination (nC) Soft Starter Package comes complete with power grounding bar and lugs, product manual and drawing.

Specifications

- Output: 10 - 300 HP
- Control Voltage: 120V
- Bypass Type: Internal bypass
- Enclosure: NEMA 4, white finish inside and outside
- Starting Current: True 3-phase starter, rated at **350%** FLA for 30 seconds

Product Features

- UL489 protected CPT line and UL1077 protected load
- 120 V bus and large insulated grounding bar
- Pre-wired per UL508A





Designed for flexibility and reliability, the WORLDSTART Standard Duty (sD) Combination Soft Starter Package features a programmable timer and schedules along with door mounted pilot devices for operation. This UL package is designed, built, and tested per UL 508A and NEC Code.



Specifications

- Output: 20-300 HP ratings @ 460V
- Control Voltage: 120 VAC
- Bypass Type: Run-rated bypass
- Enclosure: NEMA 4, white finish inside and outside
- Starting Current: True 3-phase starter, rated at **350%** FLA for 30 seconds

Product Features

- Off / local / remote switch
- Fault lamp and reset push-button
- Start / stop push-button
- Motor run lamp
- Programmable timer and schedulers
- Fast commissioning with WORLDSTART visual software
- 2 and 3-wire start design standard



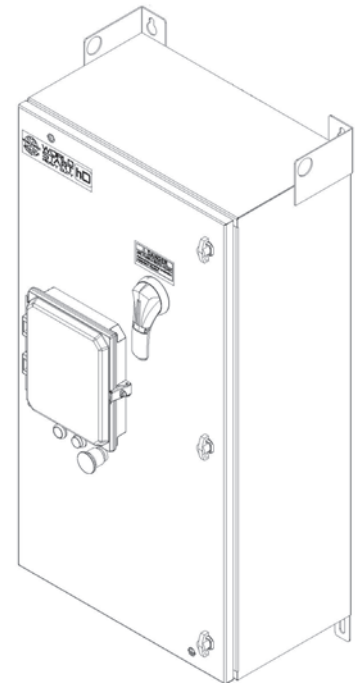
Offering all of the same benefits as the WORLDSTART sD with additional capacity, the WORLDSTART Heavy Duty (hD) Engineered Soft Starter Package is built for the toughest applications. The WORLDSTART hD offers oversized capacity for rock crushers, positive displacement pumps or any hard starting piece of equipment.

Specifications

- Output: 10 - 500 HP
- Control Voltage: 120 VAC
- Bypass Type: Run-rated bypass
- Enclosure: NEMA 4, white finish inside and outside
- Starting Current: True 3-phase starter, rated at **450%** FLA for 30 seconds

Product Features

- Off / local / remote switch
- Fault lamp and reset push-button
- Start / stop push-button
- Motor run lamp, e-stop and lamp, power-on lamp, external interlock lamp
- Across-line / RVSS selector switch
- Emergency bypass starter with full motor overload protection / start-rated (AC3)
- 2 and 3-wire start design standard
- Complete keypad for display and programming





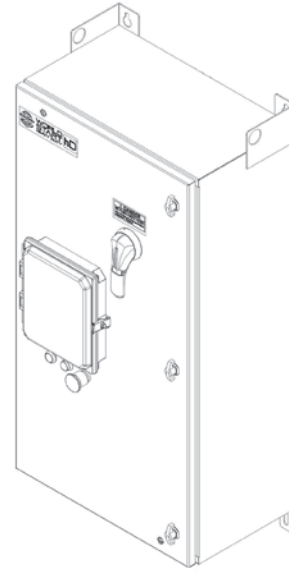
The WORLDSTART Heavy Duty Soft Starter Package can be converted to a WORLDSTART Positive Displacement (pD) Soft Starter Package. The WORLDSTART pD is designed specifically for the demanding startup, control, and protection needed for salt water disposal and jet pump applications.

Specifications

- Bypass Type: Start-rated bypass contactor
- Enclosure: NEMA 4, white finish inside and outside
- Starting Current: True 3-phase starter, rated at **450% FLA** for 30 seconds

Product Features

- Pump start, protection, and control all in one package
- Trip inputs built in for trip sensors (Murphy trips)
- High/low level inputs for on/off control
- Full skid control
- Completely programmable



Classic Soft Starters

In addition to the WORLDSTART line, WorldWide Electric continues to offer a range of chassis and enclosed soft starters from reputable brands like Siemens and Motortronics. Call us at (800) 808-2131 or visit www.worldwideelectric.net for more information.

