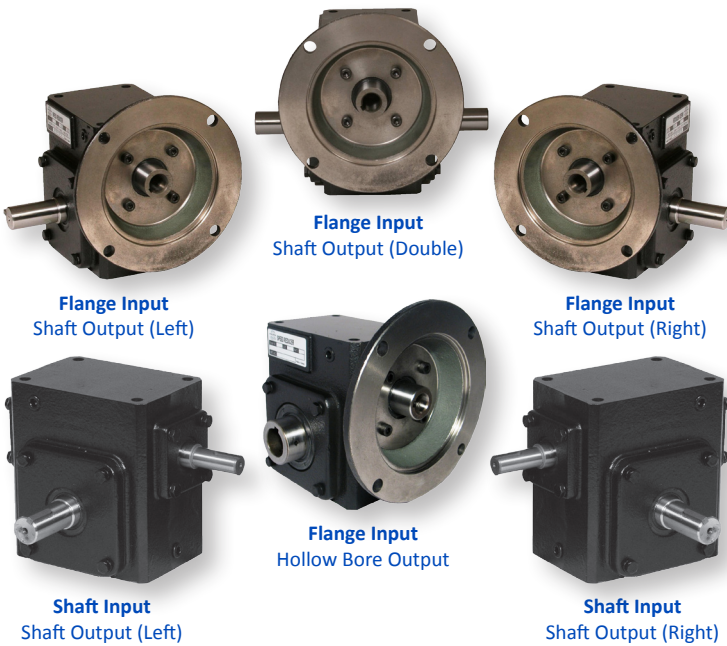




WORM GEAR REDUCERS

HEAVY DUTY - CAST IRON

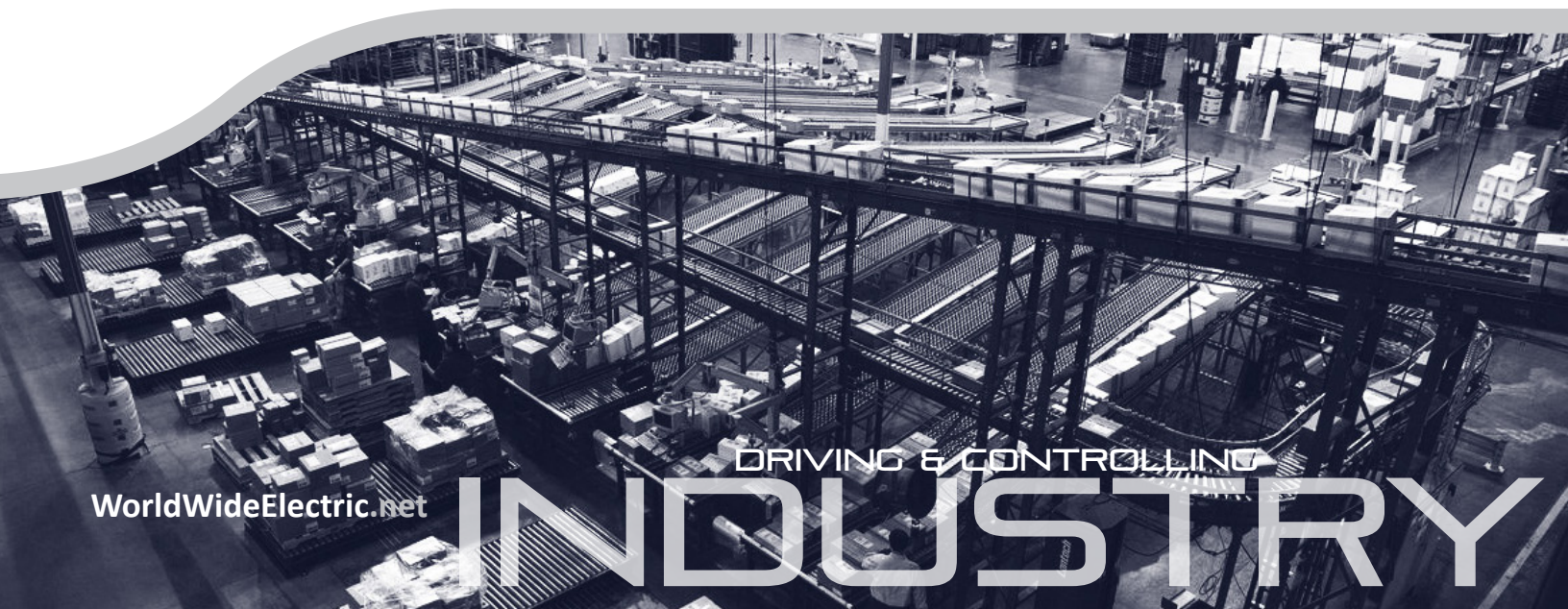
When your customer's plant is down, you need a vendor with in-stock availability and immediate shipping. WorldWide Electric's Heavy-duty, Right Angle Series (HdR) Worm Gear Reducers offer a high quality replacement for existing units and are readily available in all input and output configurations.



- **Maximize Your Profits.** Receive proven, industrial grade products at incredibly discounted prices.
- **No Oil Surcharge.** Prices reflect complete gearboxes, ready for installation, including pre-filled premium synthetic oil (Mobil SHC634).
- **One-Year Warranty.** "HdR" Series Worm Gear Reducers carry a one-year warranty.
- **Universal Drop-In for Boston 700 Series** and other major brands with equivalent dimensional and performance ratings.
- **In Stock Availability** with direct shipping from our distribution centers to your site or to a location of your choice.
- **Contact Us 24 x 7** for sales, application and technical support and service.

Designed For All Applications

- Flange and Shaft Input Options
- Center Distances 1.33"-3.25"
- Speed Ratios 5:1 to 60:1
- Compatible With 56C, 145TC and 182/4TC Motor Inputs



DRIVING & CONTROLLING

HIGH QUALITY DESIGN

WorldWideElectric.net

Smooth
Interior channels guide oil to the bearings for direct and continuous lubrication using Mobil SHC634 synthetic oil.

Strong
Output gears are machined from a solid aluminum bronze alloy for improved strength.

Protected
An anti-rust primer is bonded to the inside and outside of the housing.

Solid
All input shafts run smoothly on two sets of heavy duty tapered roller bearings.

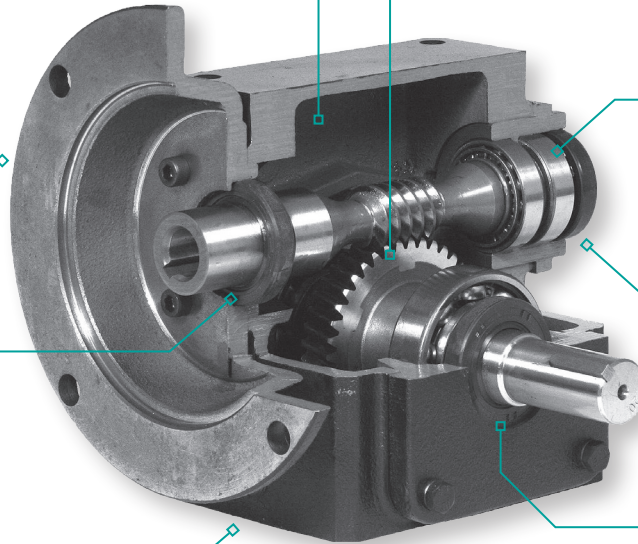
Durable
All shafts are S45c carbon steel for durable operation.

Sealed
All shafts use embedded double lipped oil seals to stop oil getting out and contaminants getting in.

Compatible
The compact design and universal radiused mounting points assures flexibility and easy OEM replacement.

Minimal
A one piece cast iron housing provides a simple, maintenance free design.

Secured
A single piece output shaft hub secures the output shaft bearings for precise tolerance throughout it's working life.



RELIABLE OPERATION

ECONOMIC & AVAILABLE

					5:1
		133			10:1
		154			15:1
		175			20:1
		206		L	30:1 - Left Hand
		237		R	40:1 - Right Hand
S	- Shaft	262		DE	50:1 - Double End
F	- Flange	325		H	60:1 - Hollow Bore
					56C
					145 TC
					182/4TC
Input	Box Size	Ratio	Output	Motor Frame*	

HOW TO ORDER ...

Easy-to-understand model numbers make selection intuitive, with input configuration, center distance (box size), speed ratio, output and applicable motor compatibility clearly visible in the model number.

HdR F 133 10/1 L 56C

Example Model Number : HdRF133-10/1-L-56C

* Leave Motor Frame blank when shaft input is selected

