



The Ultimate Shaft Mount Reducer

Fully TXT compatible, screw conveyor ready

WorldWide Electric's Ultimate Shaft Mount Reducer is dimensionally equivalent to the popular TXT series shaft mount reducer to provide the perfect solution for your most demanding applications. Designed to accept all TXT compatible accessories without issue, "The Ultimate" allows you to take full advantage of your existing safety stock and installed base. For new applications, WorldWide Electric offers a complete line of our own motor mounts, belt guards, tapered bushing kits and backstops to complement your operations.

Key Features

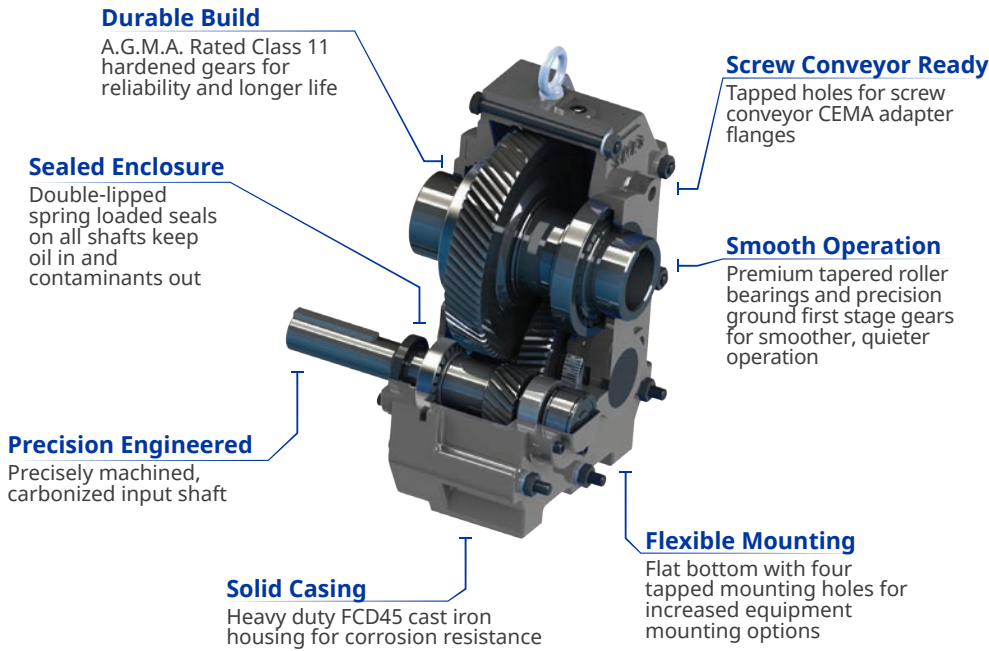
- Speed Ratios 9:1, 15:1, 25:1
- Box sizes 2-9
- Torque arm included
- Screw conveyor ready (sizes 2-6)
- TXT compatible
- Made in Taiwan
- 3 year warranty

In-Stock and Ready to Ship

We aim to make our customers more competitive by stocking the products they need and responding to their requirements with a shared sense of urgency. With \$30 million of ready-to-ship inventory at six regional US warehouses, we're ready to assist you!

For more details, visit wwec.co/WSMR

Product Features



Available Accessories

WorldWide Electric's industry-grade accessories are designed to fit TXT compatible series shaft mount reducers. Learn more at wwec.co/SMRGA



Screw Conveyor Flanges



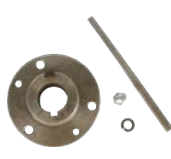
Screw Conveyor Drive Shafts



Belt Guards



Motor Mounts



Tapered Bushing Kits



Backstop Assemblies[†]

[†] Suitable for use in WorldWide Electric shaft mount reducers only

¹ 9:1 ratio available on box sizes 2-6 only

² When selecting ratio, replace the colon with a slash. For example, 15:1 becomes 15/1

³ To convert size for model numbers, remove the slash and follow the whole number with period.

Model Numbers

WorldWide Electric's intuitive part numbers make ordering easy.

Screw Conveyor Reducers

Box Size	Ratio	Output Bore
2	9:1 ¹ 15:1 25:1	1 1/16"
3		2 3/16"
4		2 7/16"
5		2 15/16"
6		3 7/16"
7		3 15/16"
8		4 7/16"
9		4 15/16"

Example model number: **WSMR7-25/1**

WSMR 7 - **25/1**

Product Family Box Size Ratio²

Screw Conveyor Drive Shafts

Box Size	Size (in.)			
2	1 1/2"	2"	2 7/16"	3"
3	1 1/2"	2"	2 7/16"	3"
4	1 1/2"	2"	2 7/16"	3" 3 7/16"
5		2"	2 7/16"	3" 3 7/16"
6			2 7/16"	3" 3 7/16"

Example model number: **5SCDS-3.716**

5 **SCDS** - 3.716

Box Size Product Family Size³

Screw Conveyor Flanges

Box Size	2	3	4	5	6

Example model number: **5SCF**

5 **SCF**

Box Size Product Family



WorldWide Electric Corporation is a leading manufacturer of electric motors, motor controls, and gear reducers as well as the exclusive master distributor of Hyundai Electric's low-voltage motors and drives. Offering fast, often same-day, shipping from six regional US warehouses, WorldWide Electric takes pride in providing a competitive edge to our customers by responding to their requirements with urgency, technical expertise, and professionalism.

PRO: GRUSM1019