



WORLDWIDE ELECTRIC MOTOR DATA SHEET



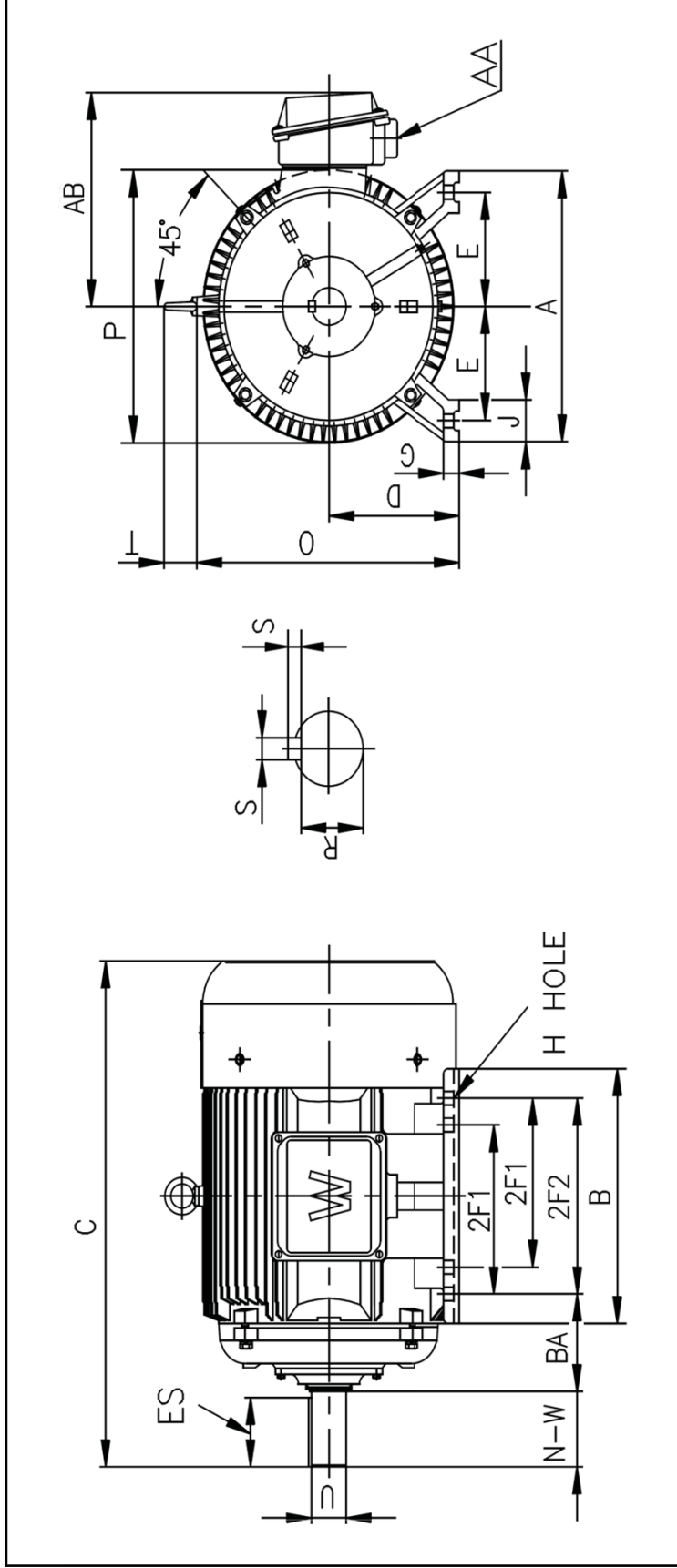
WWELUC5-12-215T

| | | |
|-------------------------------|-------------------------|----------------|
| HP | 5 | |
| RPM / POLES | 1200 / 6 | |
| VOLTAGE / PHASE | 230 / 460 / 796 V / 3 | |
| FRAME | 215T | |
| ENCLOSURE | TEFC (IP54) | |
| FREQUENCY | 60 HZ | |
| RATED SPEED | 1115 RPM | |
| FULL LOAD AMPS | 14.6 / 7.3 / 4.2 A | |
| DUTY CYCLE | CONTINUOUS | |
| SERVICE FACTOR | 1.15 | |
| INSULATION CLASS | F | |
| AMBIENT TEMP. | 40° C | |
| ALTITUDE | 3300 FT. | |
| TEMP. RISE @ FULL LOAD | 80° C | |
| DESIGN | D | |
| RATED TORQUE | 23.6 LB. FT. | |
| LOCKED ROTOR TORQUE | 307% | |
| BREAKDOWN TORQUE | 270% | |
| LOCKED ROTOR AMPS (STARTING) | 92.0 / 46.0 / 26.6 A | |
| IL / IN | 6.4 / CODE H | |
| SLIP | 6.10% | |
| NO LOAD CURRENT | 8.0 / 4.0 / 2.3 A | |
| MAX. TIME LOCKED ROTOR (HOT) | 20 SECONDS | |
| DE BEARING | 6308-ZZ | |
| ODE BEARING | 6308-ZZ | |
| REGREASING INT. - DE BEARING | --- | |
| REGREASING INT. - ODE BEARING | --- | |
| MOUNTING | F2 (F1 SUITABLE) | |
| ROTATION | CW / CCW | |
| MOMENT OF INERTIA | 0.91 LB. FT. SQUARED | |
| C-FLANGE | --- | |
| D-FLANGE | --- | |
| SHAFT MATERIAL | 1045 CARBON STEEL | |
| CONNECTION DIAGRAM | 230 / 460 V - 12 LEAD Δ | |
| APPROX. WEIGHT | 154 LBS. | |
| LOAD | POWER FACTOR | EFFICIENCY (%) |
| 100% | 0.78 | 82.34 |
| 75% | 0.71 | 82.65 |
| 50% | 0.59 | 80.83 |





WORLDWIDE ELECTRIC MOTOR DRAWING
WWELUC-215T



| MOUNTING | | | | | |
|----------|-----|-----|------|-----|--------|
| E | 2F1 | 2F2 | H | BA | A |
| 4.25 | 5.5 | 7 | 0.41 | 3.5 | 10.827 |

| B | C | D | G | J |
|------|-------|------|-------|-------|
| 9.37 | 20.08 | 5.25 | 0.708 | 2.362 |

| KEY | | | KEYSEAT | | SHAFT | |
|--------|--------|------|---------|-------|-------|-------|
| O | P | T | AA | AB | ES | S |
| 10.664 | 10.394 | 1.75 | 1 | 8.267 | 2.41 | 0.312 |
| | | | | | R | |
| | | | | | 1.201 | |
| | | | | | N-W | |
| | | | | | 3.38 | |
| | | | | | U | |
| | | | | | 1.375 | |

ALL DIMENSIONS IN INCHES