



WORLDWIDE ELECTRIC MOTOR DATA SHEET
PREMIUM EFFICIENT VERTICAL HOLLOW SHAFT MOTOR



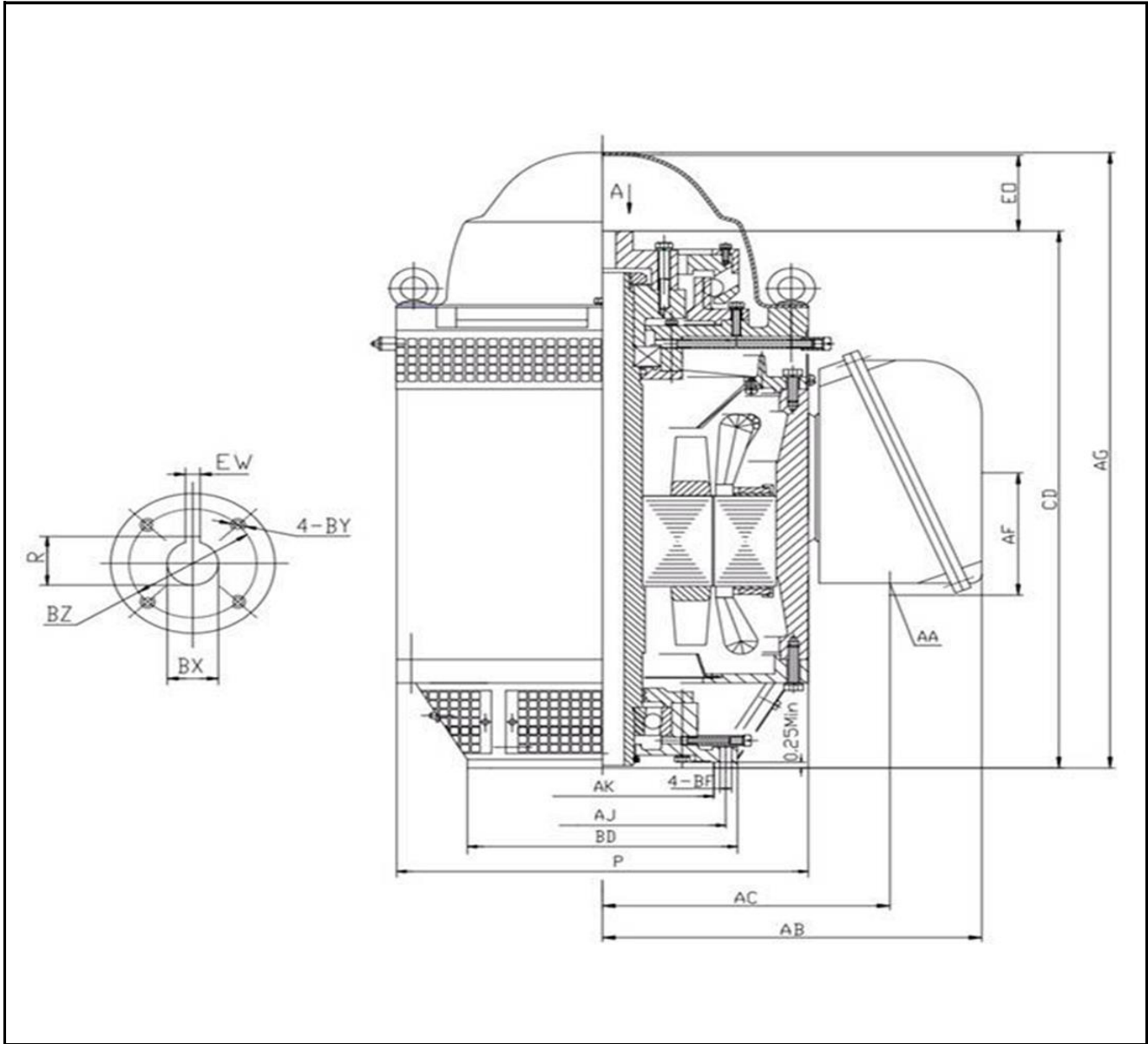
WPEVHS15-18-254TP-10

HORSEPOWER	15		
RPM / POLES	1800 / 4		
VOLTAGE / PHASE	230 / 460 V / 3		
FRAME	254TP		
ENCLOSURE / DEGREE OF PROTECTION	WPI / IP23 (With Rodent Screens)		
FREQUENCY	60 HZ Suitable For 50 HZ Operation With 1.0 SF		
FULL LOAD SPEED	1785 RPM		
SERVICE FACTOR	1.15		
INSULATION CLASS	F		
FULL LOAD AMPS; 230 / 460	34.6 / 17.3 A		
LOCKED ROTOR AMPS (STARTING); 230 / 460	256 / 128 A		
EFFICIENCY / POWER FACTOR	<u>LOAD</u>	<u>EFF.</u>	<u>P.F.</u>
	100%	93.0%	0.86
DUTY CYCLE	CONTINUOUS		
TORQUE	<u>FULL LOAD</u>	<u>LRT</u>	<u>BDT</u>
	44.0 lb.ft.	218%	250%
NEMA DESIGN	B		
MAX. AMBIENT TEMPERATURE	40° C		
MAX. ELEVATION	3300 Ft. Above Sea Level		
TEMPERATURE RISE (At Full Load)	80° C		
SOUND PRESSURE LEVEL	88 dB(A)		
MAX. DOWN THRUST	3200 lbs.		
LOWER THRUST BEARING	7312B		
REGREASING INT. (LOWER)	12 Months		
GREASE TYPE (LOWER)	Mobil Polyrex EM		
UPPER RADIAL BALL BEARING	6212		
REGREASING INT. (UPPER)	12-24 Months (Please See Maintenance Manual)		
GREASE TYPE (UPPER)	Mobil Polyrex EM		
ROTATION	Unidirectional (Non-Reverse Ball Type Ratchet Assembly)		
CONNECTION DIAGRAM	230 / 460 V - 12 Lead Δ		
LEAD SIZE	10 AWG		
LEAD LENGTH	14 in.		
APPROXIMATE WEIGHT	417 lbs.		
INVERTER RATING	10:1 VT PWM Type (1600 V Spike-Resistant Wire)		



WORLDWIDE ELECTRIC MOTOR DRAWING

WPEVHS-254TP



DIMENSIONS - INCHES

BD	AJ	AK	BF	BX	BZ	EW	R
10	9.125	8.25	0.44	1	1.375	0.25	1.13

BY	CD	EO >	AC	AA	AF	OVERALL DIMENSIONS		
						P	AB	AG
10-32	23.38	4.29	11.65	3" NPT	5.83	17.32	15.07	27.67