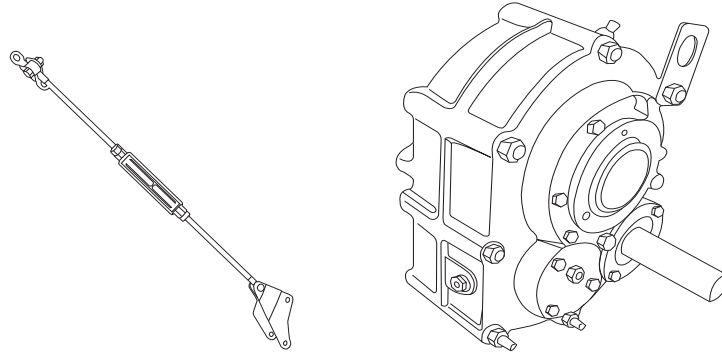


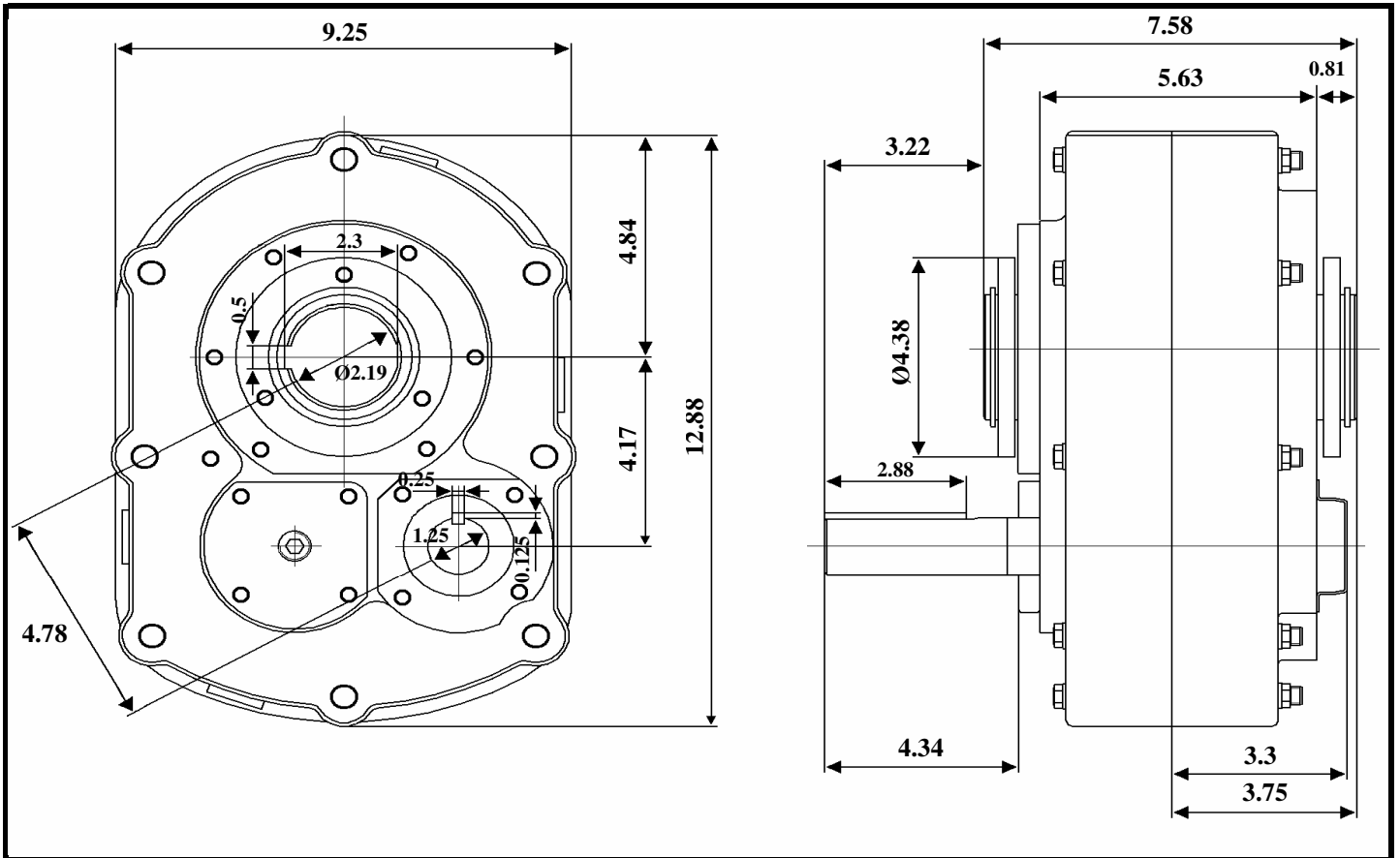


# SHAFT MOUNT SPEED REDUCER MODEL # SMR3-15/1 & SMR3-25/1



**SPECIFICATIONS - Exact Dimensional Drop-In For All Major Makes**

| Box Size | Ratio       | Output Bore  |
|----------|-------------|--------------|
| 3        | 15:1 & 25:1 | 2-3/16" Max. |



**REVISED 08/18/08**