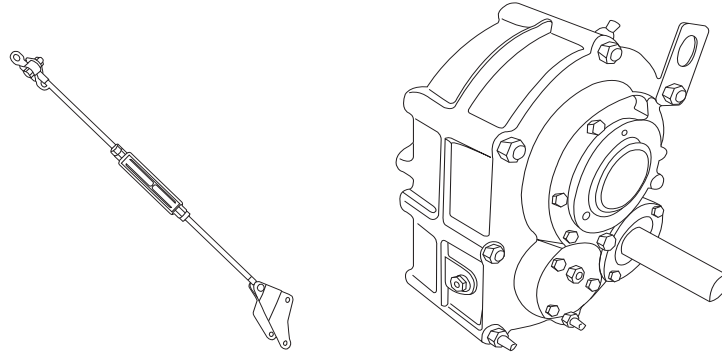


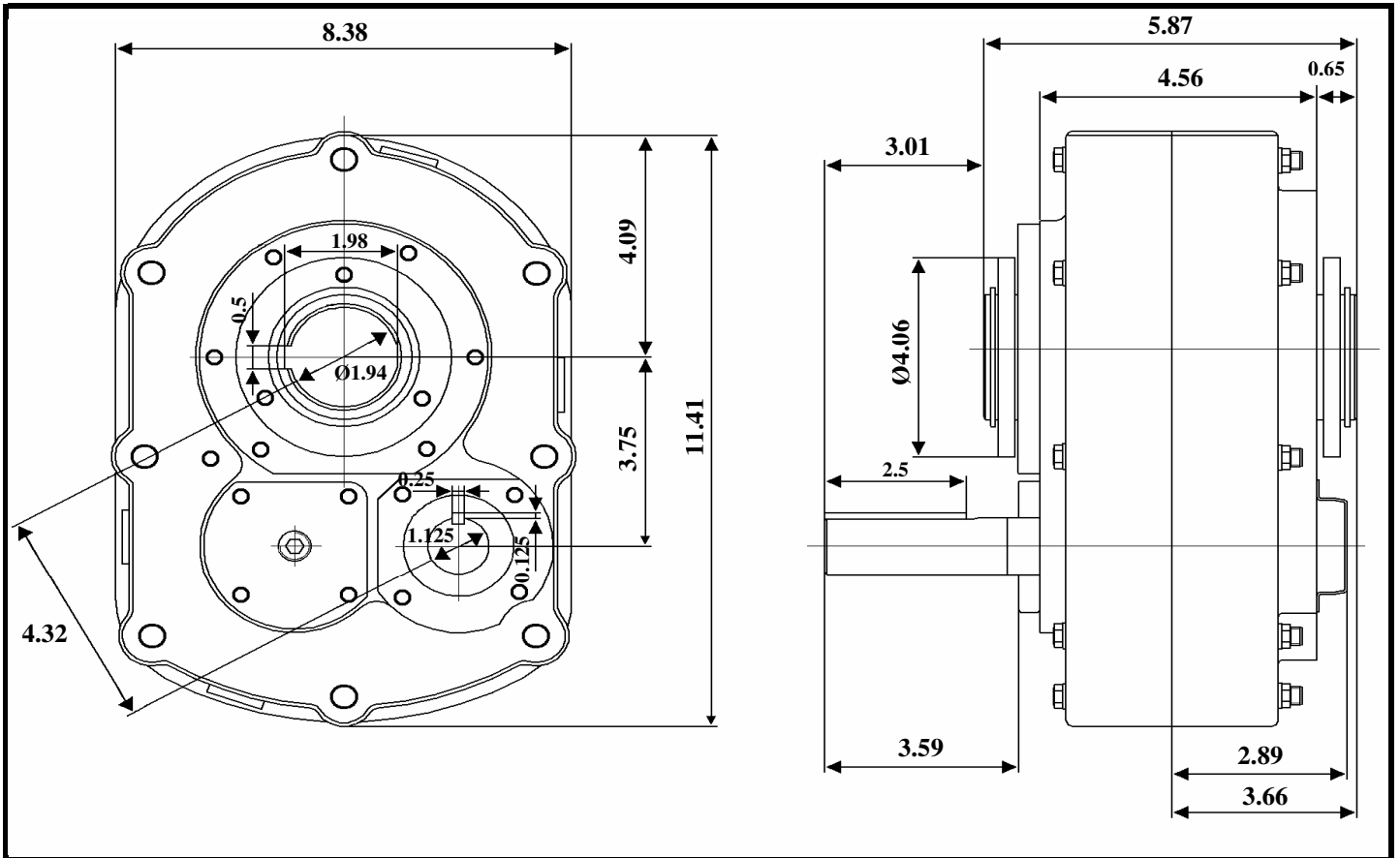


# SHAFT MOUNT SPEED REDUCER MODEL # SMR2-15/1 & SMR2-25/1



**SPECIFICATIONS - Exact Dimensional Drop-In For All Major Makes**

Box Size	Ratio	Output Bore
2	15:1 & 25:1	1-15/16" Max.



**REVISED 08/18/08**