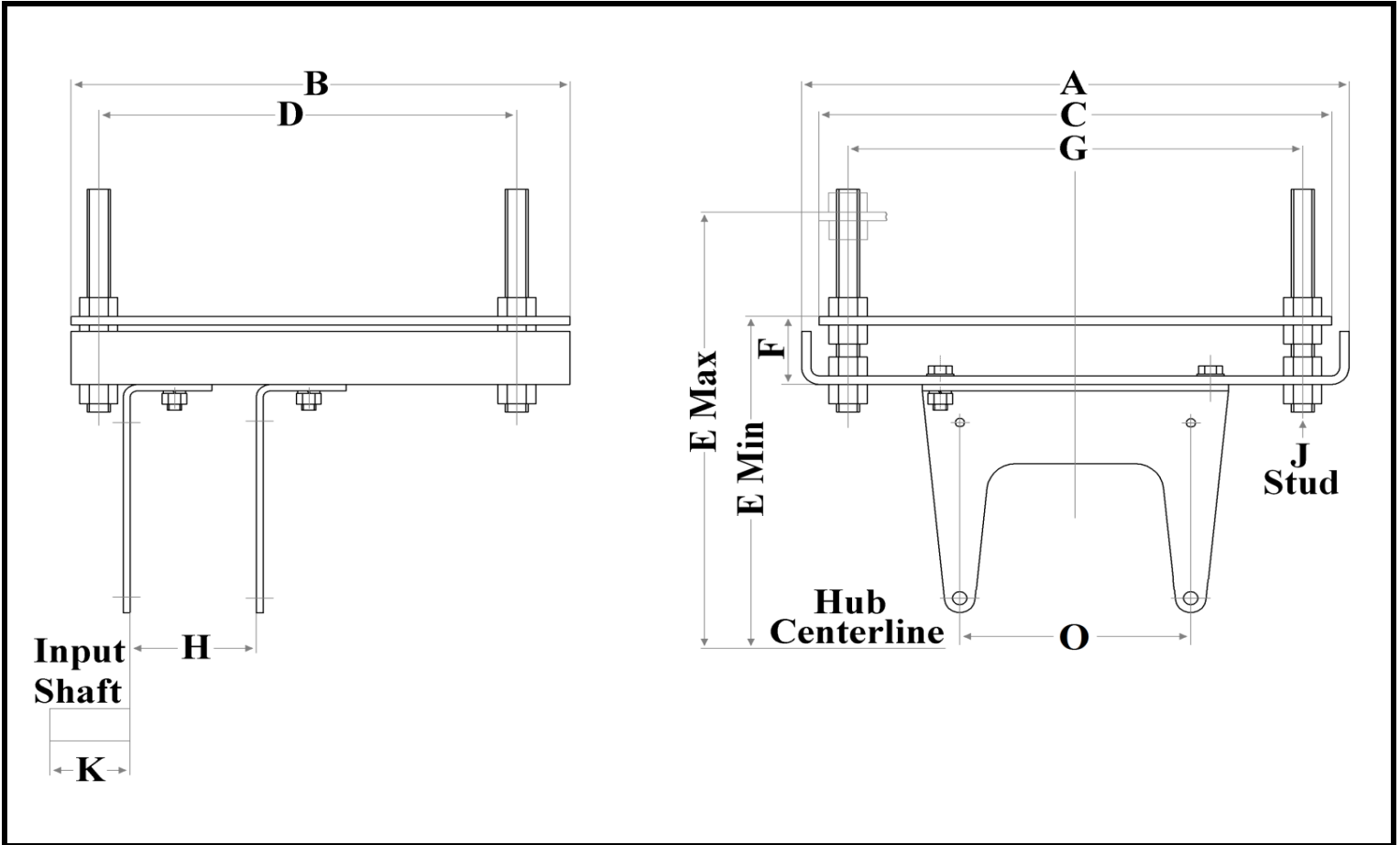


# WORLDWIDE ELECTRIC CORPORATION

## SHAFT MOUNT REDUCERS

### MOTOR MOUNTS - DIMENSIONS



### DIMENSIONS - Inches

Box Size	NEMA Frame	Model Number	A	B	C	D	E		F	G	H	J	K	O	Approx. Weight
							Min.	Max.							
2	56T-215T	MM2	14.6457	11.02	13.54	9.25	10.35	14.76	1.65	12	3.35	M16 x 185	4.25	5	37
3	56T-215T	MM3A	14.6457	11.02	13.54	9.25	11.5	15.83	1.65	12	4.29	M16 x 185	4.88	7.83	39
4	143T-286T	MM4	18.6614	17.01	17.48	14.25	11.81	16.65	2.05	15.5	4.61	M20 x 210	6.06	8.82	75
5	143T-286T	MM5A	18.6614	17.01	17.48	14.25	12.76	17.56	2.05	15.5	4.41	M20 x 210	6.61	10.47	77
6	143T-326T	MM6	20.4724	18.5	19.29	16.5	14.49	19.21	2.13	17.5	4.53	M20 x 210	7.24	12.2	99
7	143T-365T	MM7	22.4	19.01	21.38	16.54	17.62	22.13	2.5	19.29	4.67	M24 x 236	7.81	14.8	145
8	213T-365T	MM8	17.91	19	18.7	8.47	19.4	23.9	4.25	11	5.99	M24 x 236	8.62	12.4	123

