

DATA SHEET

Premium Efficiency Motor: **PEWWE7.5-18-213T**

60 Hz

WorldWide Electric Corporation

1 (800) 808-2131

Worldwideelectric.net



Document Generated: 31-Jul-2023

Document ID:

Customer:

MOTOR INFORMATION

HP	7.5
RPM	1800
Phase	3
Frequency	60 Hz
Voltage	230/460 V
Frame Size	213T
Enclosure	TEFC
Degree of Protection	IP55
Service Factor	1.25
Poles	4
Full Load Speed	1760
Insulation Class	F
Temp Rise	80°C
NEMA Code Letter	H
Duty Cycle	S1 / Continuous
Slip	2.22%
NEMA Design	B
Moment of Inertia	0.652 lb.ft.^2
Locked Rotor Time (Hot)	12 seconds
Sound Pressure Level	63 dB(A)
Number of Starts	2 Cold/ 1 Hot
Max Ambient Temperature	40°C
Max Elevation	1000 m.a.s.l (3300 f.a.s.l)
Mounting	F1
Rotation	Bi-Directional
Area of Classification	Class 1 Division 2 Groups A,B,C,D T3C(160°C)
Inverter Rating	10:1 CT / 20:1 VT PWM Type
Standard	NEMA MG-1
Approvals	CSA-US, CE

EFFICIENCY/POWER FACTOR

LOAD	EFF	P. F.
100%	91.7 %	0.83
75%	91.8 %	0.78
50%	91.2 %	0.67

TORQUE

FULL LOAD	LRT	BDT
22.4 lb.ft.	170 %	280 %

AMPERAGE INFORMATION

	230V	460V
Full Load Amps	18.5A	9.23A
Locked Rotor Amps	127A	63.5A
No Load Current	8A	4A
Usable at 208V	20.4A	

BEARING INFORMATION

DE Bearing	6308ZZ C3
ODE Bearing	6207ZZ C3
Grease Type	-
DE Regreasing Interval	- Hours
ODE Regreasing Interval	- Hours

ADDITIONAL DATA

F2 Suitable	No
Shaft Material	1045 Carbon Steel
Connection Diagram	230 / 460 V - 9 Lead Δ
Approximate Weight	158 lbs.

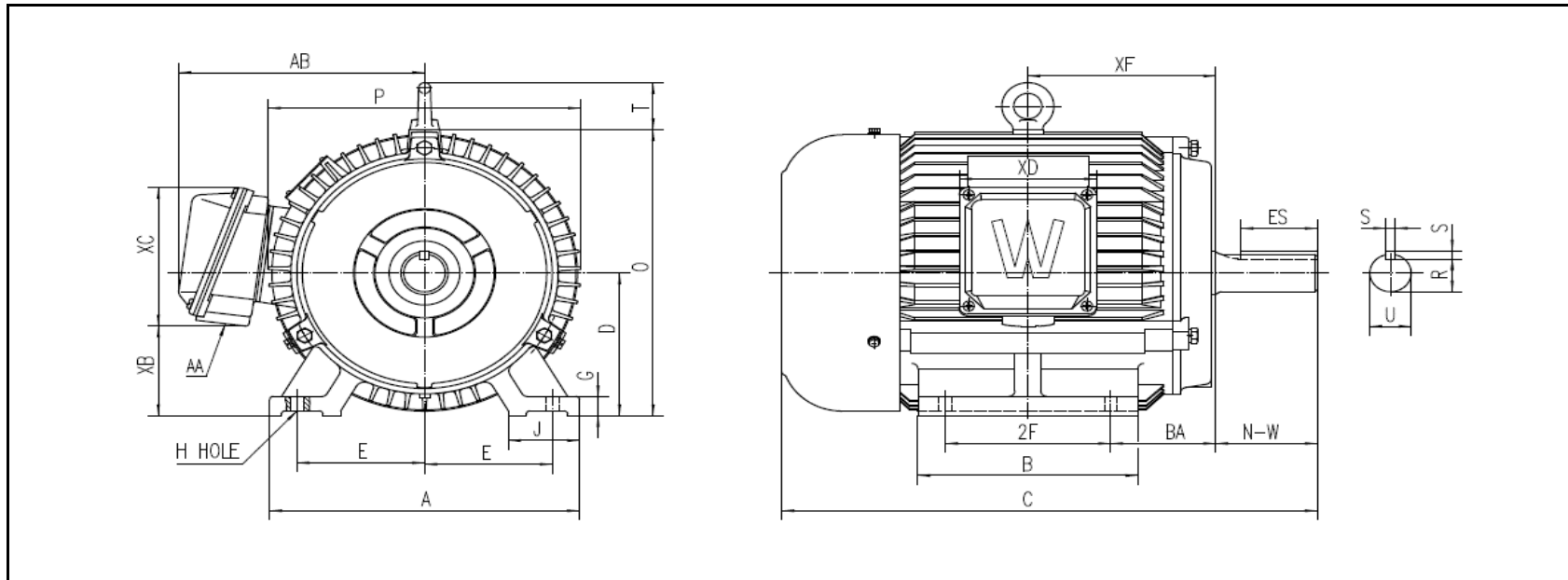
MOTOR DRAWING

Premium Efficiency Motor: **PEWWE7.5-18-213T**

WorldWide Electric Corporation

1 (800) 808-2131

Worldwideelectric.net



DIMENSION - INCHES

MOUNTING					A	B	C	D	G	J	P	O	T	AB
E	2F1	2F	H	BA										
4.25	--	5.5	0.41	3.5	10.315	7.323	17.823	5.25	0.709	2.362	10.389	10.526	1.732	8.178

SHAFT & KEY				
S	ES	R	N-W	U
0.312	2.41	1.201	3.38	1.375

TERMINAL BOX				
AA	XB	XC	XD	XF
1	3.296	5.098	4.567	6.254

PERFORMANCE CURVES

WorldWide Electric Corporation

1 (800) 808-2131

Worldwideelectric.net



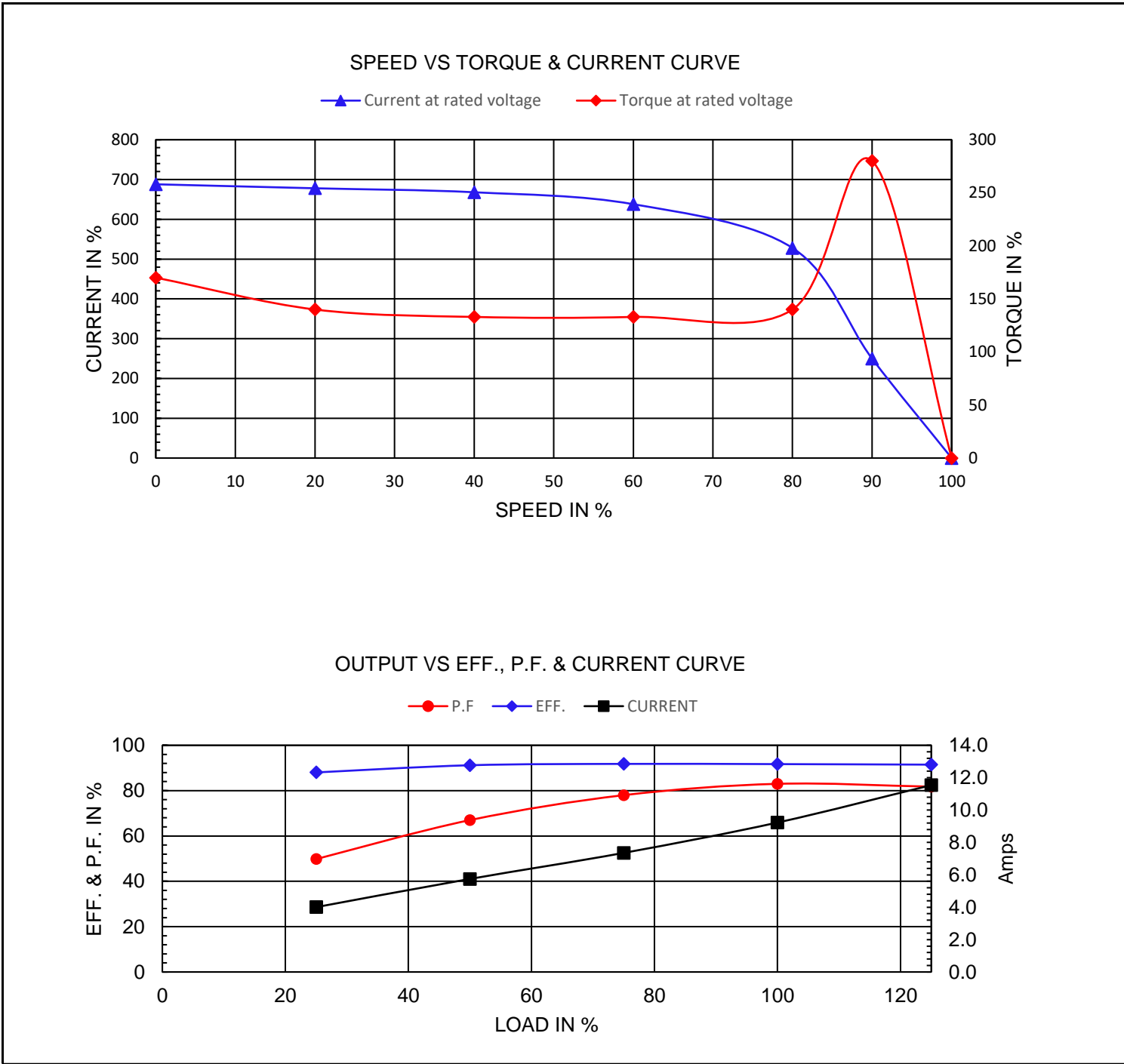
Premium Efficiency Motor:

PEWWE7.5-18-213T

Document Generated: 31-Jul-2023
Document ID:

Customer:

Motor Type	PEWWE		FL Speed	1760		
Output Rating (HP)	7.5		LRT (%FLT)	170	460 volt FLA	9.23 A
Full Load Torque	22.4	lb.ft	BDT (%FLT)	280	230 volt FLA	18.5 A
Rotor Wk^2	0.652	lb-ft^2				



NAMEPLATE / WIRING

WorldWide Electric Corporation

1 (800) 808-2131

Worldwideelectric.net



Premium Efficiency Motor:

PEWWE7.5-18-213T

Document Generated: 31-Jul-2023
Document ID:

Customer:

SAMPLE NAMEPLATE DATA

		NEMA Premium		3-PHASE INDUCTION MOTOR		259277 	 CC006A
Model			Ser No.			Low Voltage	
HP	S.F.		IP		Encl	6 4 5 7 8 9	
Frame	P.F.		Code		Type	1 2 3	
Voltage	230/460	Hz	Ins Cl		Rating	°C Amb Cont L1 L2 L3	
Amps		RPM	Design		Date	High Voltage	
Nom.Eff.	FL	% 3/4	% 230/460V	10:1 CT	20:1 VT	PWM	VFD 1.0SF
Class I DIV. 2 Groups A B C D			Amb.40°C	T3C(160°C)	DE Brng		
Class I Zone 2 IIC			Amb.55°C	T3A(180°C)	ODE Brng		
					Grease type:		
50Hz	HP	V	A	rpm	S.F1.0		
WorldWide Electric Corporation							

Model	PEWWE7.5-18-213T						
HP	7.5	S.F.	1.25	IP	IP55	Encl	TEFC
Frame	213T	P.F.	0.83	Code	H	Type	
Voltage	230/460 V	Hz	60 Hz	Ins Cl	F	Ambient	40°C
Amps	18.5/9.23	RPM	1760	Design	B	DE Brng 6308ZZ C3	
Nom.Eff.	FL	91.7%	3/4	91.8%	ODE Brng 6207ZZ C3		
Class 1 Division 2 Groups A,B,C,D					T3C(160°C)	Grease type: -	
50Hz	7.5 HP	200/400 V	22.2/11.1 A	1455 rpm			