



WORLDWIDE ELECTRIC MOTOR DATA SHEET

PEWWE350-12-586/7



HORSEPOWER	350
RPM / POLES	1200 / 6
VOLTAGE / PHASE	460 V / 3
FRAME	586/7
ENCLOSURE / DEGREE OF PROTECTION	TEFC / IP55
FREQUENCY	60 HZ
FULL LOAD SPEED	1190 RPM
SERVICE FACTOR	1.15
INSULATION CLASS	F
FULL LOAD AMPS	398 A
LOCKED ROTOR AMPS (STARTING)	2550 A
NO LOAD CURRENT	137 A
NEMA CODE LETTER	G
EFFICIENCY / POWER FACTOR	<u>LOAD</u> <u>EFF.</u> <u>P.F.</u>
	100 % 95.8% 0.86
	75 % 95.9% 0.83
	50 % 95.5% 0.75
DUTY CYCLE	S1 / Continuous
TORQUE	<u>FULL LOAD</u> <u>LRT</u> <u>BDT</u>
	1544 lb.ft. 200% 250%
SLIP	0.83 %
NEMA DESIGN	B
MOMENT OF INERTIA	256 lb.ft.²
MAX. TIME LOCKED ROTOR (Hot)	14 Seconds
SOUND PRESSURE LEVEL	87 dB (A)
MAX. AMBIENT TEMPERATURE	40° C
MAX. ELEVATION	3300 Ft.
TEMPERATURE RISE (At Full Load)	80° C
DE BEARING	NU326 C3
ODE BEARING	6324 C3
REGREASING INT. - DE BEARING	Hours
REGREASING INT. - ODE BEARING	Hours
GREASE TYPE	SKF LGHP 2
MOUNTING	F1
ROTATION	Bi-Directional
SHAFT MATERIAL	4140 Carbon Steel
INVERTER RATING	10:1 CT / 20:1 VT PWM Type
CONNECTION DIAGRAM	460 V - 6 Lead Δ
APPROXIMATE WEIGHT	4145 lbs.
AREA CLASSIFICATION	Class I, Division 2, Groups A, B, C, D



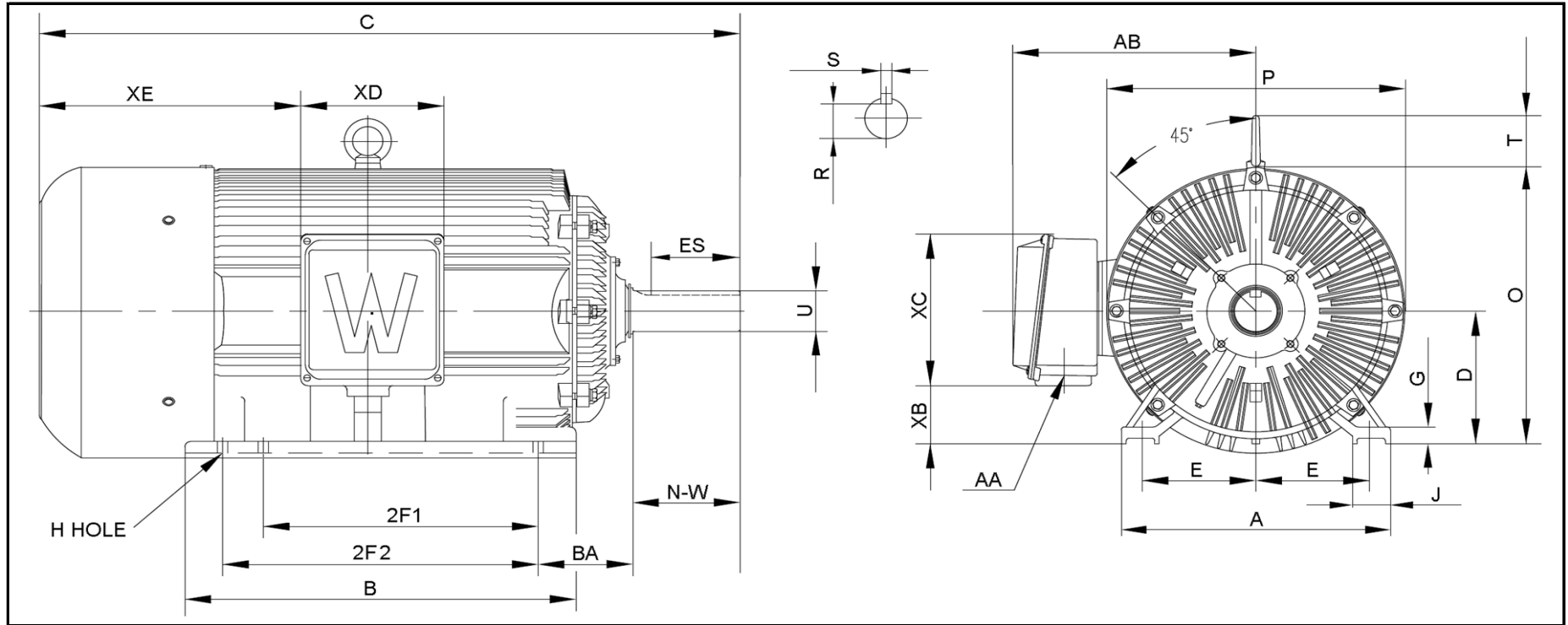
CC006A





WORLDWIDE ELECTRIC MOTOR DRAWING

PEWWE-586/7-6P,8P



DIMENSIONS - INCHES

MOUNTING					A	B	C	D	G	J	P	O	T	AB
E	2F1	2F2	H	BA										
11.5	22	25	1.125	10	28	33.85	66	14.5	2.05	5	30.5	28.9	5	25

KEY		KEYSET	SHAFT		TERMINAL BOX				
S	ES	R	N-W	U	AA	XB	XC	XD	XE
1	10	3.309	11.625	3.875	2 x 3"	5	16.5	14.5	---

PERFORMANCE CURVES

WorldWide Electric Corporation

1 (800) 808-2131

Worldwideelectric.net

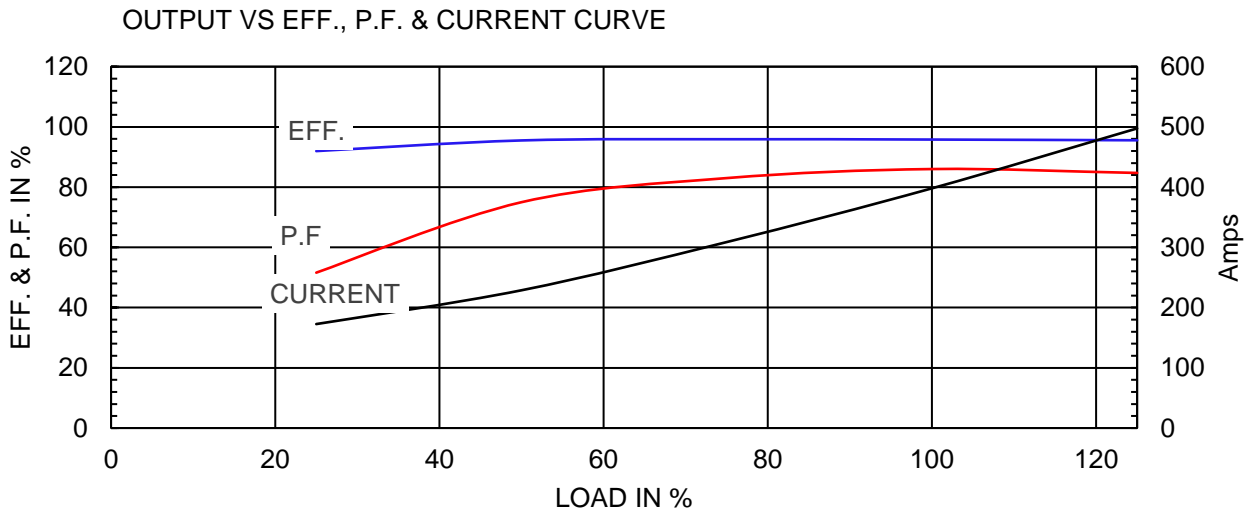
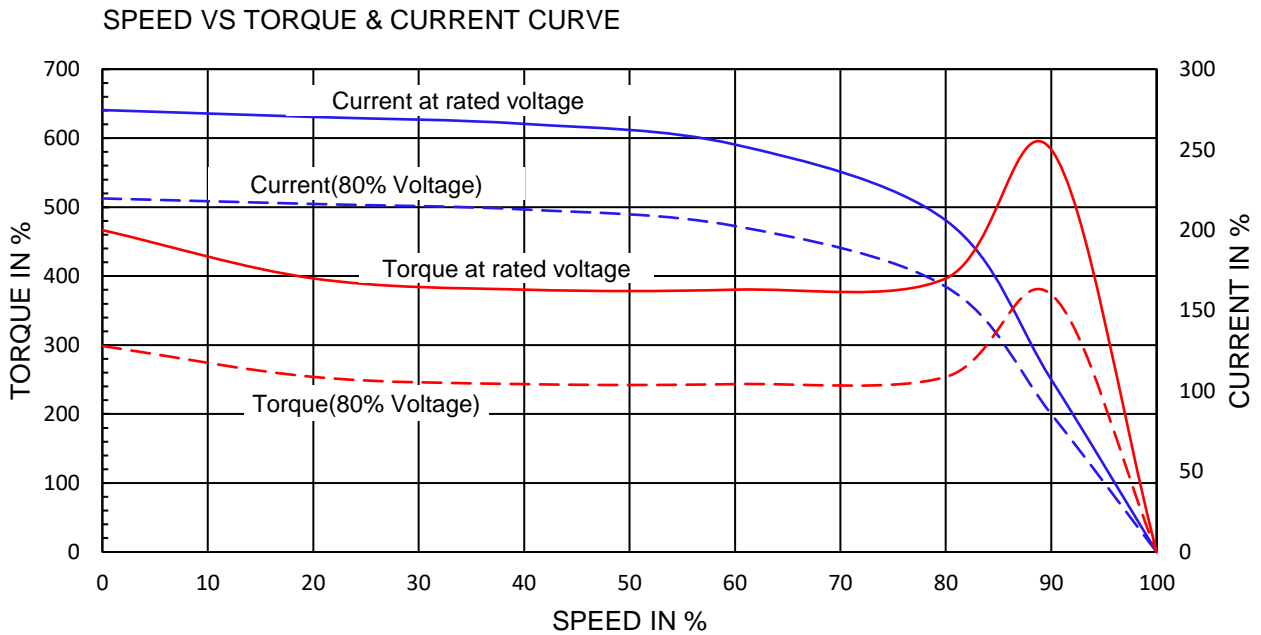


Premium Efficiency Motor:

PEWWE350-12-586/7

Document Generated: 25-Jun-2020	Customer:
Document ID:	

Motor Type	PEWWE		FL Speed	1190		
Output Rating (HP)	350		LRT (%FLT)	200	460 volt FLA	398
Full Load Torque	1544	lb.ft	BDT (%FLT)	250	230 volt FLA	A
Rotor Wk ²	256	lb-ft ²				



NAMEPLATE / WIRING

WorldWide Electric Corporation

1 (800) 808-2131

Worldwideelectric.net






Premium Efficiency Motor: **PEWWE350-12-586/7**

Document Generated: 14-Oct-2019
Document ID:

Customer:

SAMPLE NAMEPLATE DATA

 		PREMIUM EFFICIENCY 3-PHASE INDUCTION MOTOR			259277 	CC006A ISO9001	
Model	PEWWE350-12-586/7	Ser No.	ZP				
HP	350	S.F.	1.15	Type		Encl	TEFC IP55
Frame	586/7	P.F.	0.86	Ins Cl	F	Rating	40°C Amb Cont
Voltage	460V	Hz	60Hz	Design	B	DE Brng	NU326 C3
Amps	398A	RPM	1190	Code	G	ODE Brng	6324 C3
Nom. Eff.	FL 95.8 %	3/4 95.9 %	460	V		Date	
Class I Division 2 Groups A B C D				Amb.40°C		T3(200°C)	
10:1 CT 20:1 VT PWM VFD 1.0SF							
WorldWide Electric Corporation							

Connection

6	4	5
1	2	3
L1	L2	L3

