



# WORLDWIDE ELECTRIC MOTOR DATA SHEET

## PEWWE300-18-449TSBB



HORSEPOWER	<b>300</b>
RPM / POLES	<b>1800 / 4</b>
VOLTAGE / PHASE	<b>460 V / 3</b>
FRAME	<b>449TS</b>
ENCLOSURE / DEGREE OF PROTECTION	<b>TEFC / IP55</b>
FREQUENCY	<b>60 HZ</b>
FULL LOAD SPEED	<b>1790 RPM</b>
SERVICE FACTOR	<b>1.15</b>
INSULATION CLASS	<b>F</b>
FULL LOAD AMPS	<b>336 A</b>
LOCKED ROTOR AMPS (STARTING)	<b>2200 A</b>
NO LOAD CURRENT	<b>103 A</b>
NEMA CODE LETTER	<b>G</b>
EFFICIENCY / POWER FACTOR	<u>LOAD</u> <u>EFF.</u> <u>P.F.</u>
	<b>100 %</b> <b>96.2%</b> <b>0.87</b>
	<b>75 %</b> <b>96.3%</b> <b>0.85</b>
	<b>50 %</b> <b>96.1%</b> <b>0.78</b>
DUTY CYCLE	<b>S1 / Continuous</b>
TORQUE	<u>FULL LOAD</u> <u>LRT</u> <u>BDT</u>
	<b>880 lb.ft.</b> <b>200%</b> <b>250%</b>
SLIP	<b>0.56 %</b>
NEMA DESIGN	<b>B</b>
MOMENT OF INERTIA	<b>94.1 lb.ft.<sup>2</sup></b>
MAX. TIME LOCKED ROTOR (Hot)	<b>142Seconds</b>
SOUND PRESSURE LEVEL	<b>93 dB (A)</b>
MAX. AMBIENT TEMPERATURE	<b>40° C</b>
MAX. ELEVATION	<b>3300 Ft.</b>
TEMPERATURE RISE (At Full Load)	<b>80° C</b>
DE BEARING	<b>6320 C3</b>
ODE BEARING	<b>6320 C3</b>
REGREASING INT. - DE BEARING	<b>1,300 Hours</b>
REGREASING INT. - ODE BEARING	<b>1,800 Hours</b>
GREASE TYPE	<b>Polyrex EM</b>
MOUNTING	<b>F1</b>
ROTATION	<b>Bi-Directional</b>
SHAFT MATERIAL	<b>4140 Carbon Steel</b>
INVERTER RATING	<b>10:1 CT / 20:1 VT PWM Type</b>
CONNECTION DIAGRAM	<b>460 V - 6 Lead Δ</b>
AREA CLASSIFICATION	<b>Class I, Division 2, Groups A, B, C, D</b>
APPROXIMATE WEIGHT	<b>2728 lbs.</b>



**CC006A**

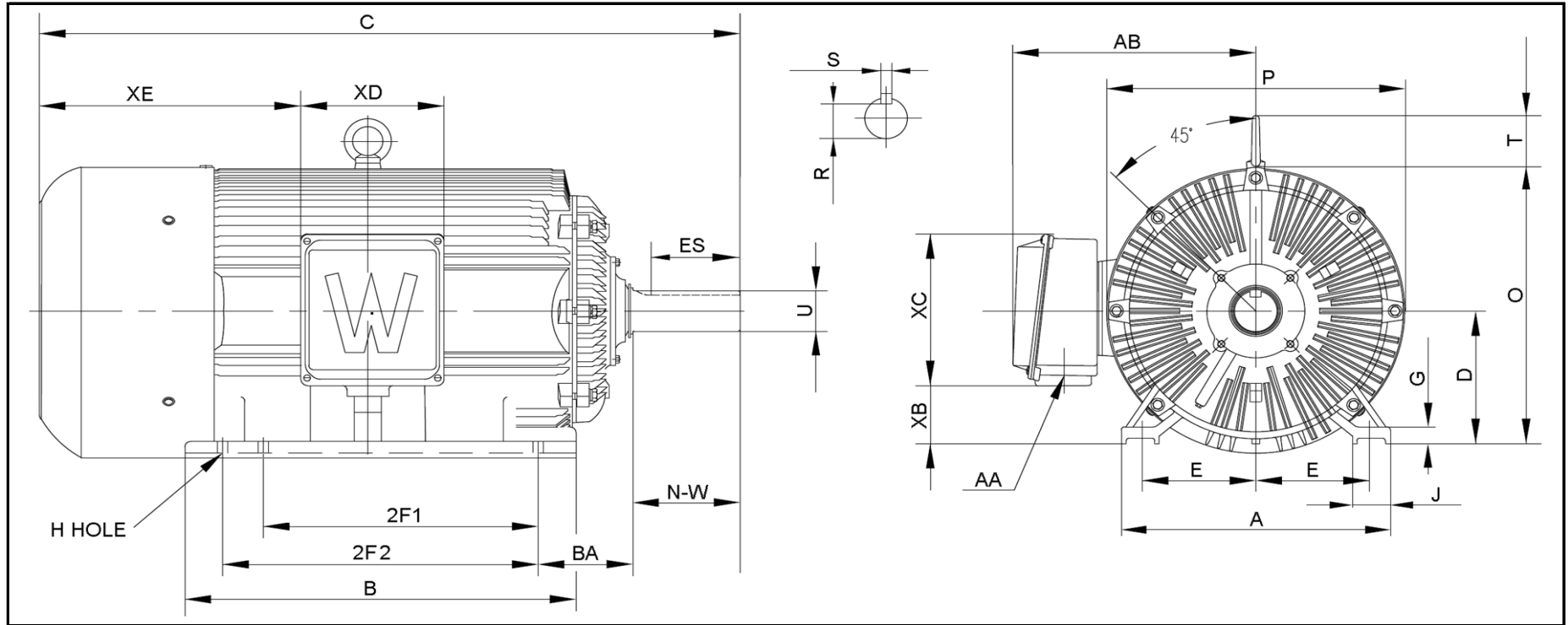


REVISED - OCTOBER 9, 2017



# WORLDWIDE ELECTRIC MOTOR DRAWING

## PEWWE-449TS-4P,6P



**DIMENSIONS - INCHES**

MOUNTING					A	B	C	D	G	J	P	O	T	AB
E	2F1	2F2	H	BA										
9	-	25	0.81	7.5	22	31	54	11	1.58	3.4	24	23	4.25	19.5

KEY		KEYSET	SHAFT		TERMINAL BOX				
S	ES	R	N-W	U	AA	XB	XC	XD	XE
0.625	3.03	2.021	4.5	2.375	2 x 3	4.7	12	11.5	---

# PERFORMANCE CURVES

WorldWide Electric Corporation

1 (800) 808-2131

Worldwideelectric.net

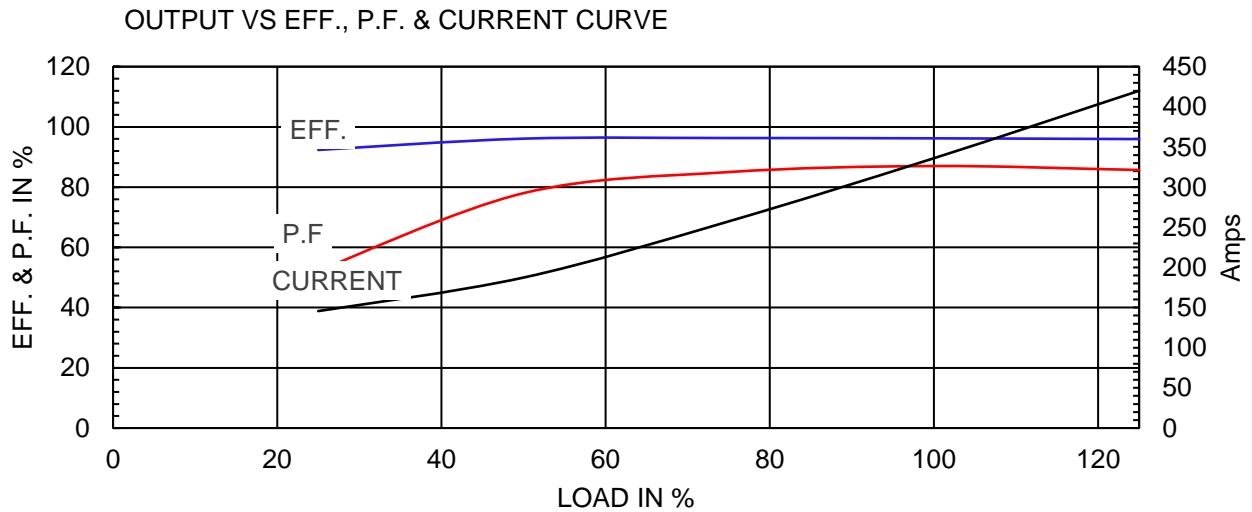
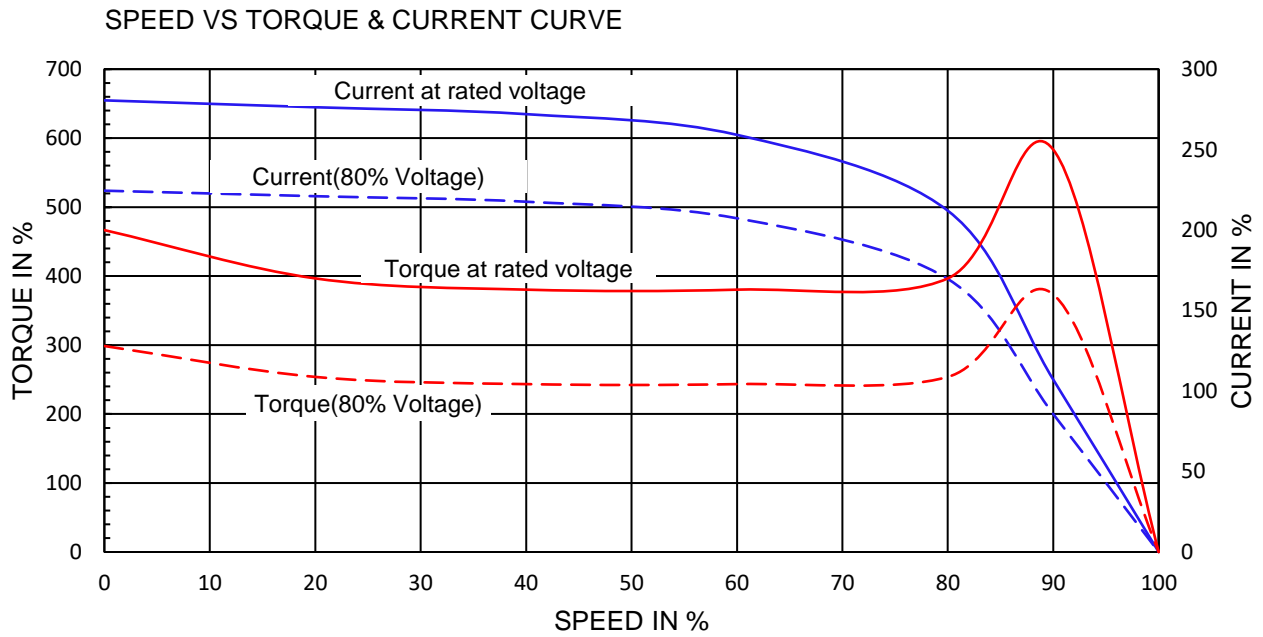


Premium Efficiency Motor:

**PEWWE300-18-449TSBB**

Document Generated: 25-Jun-2020	Customer:
Document ID:	

Motor Type	PEWWE		FL Speed	1790	
Output Rating (HP)	300		LRT (%FLT)	200	
Full Load Torque	880 lb.ft		460 volt FLA	336	
Rotor Wk <sup>2</sup>	94.1 lb-ft <sup>2</sup>		230 volt FLA	A	
			BDT (%FLT)	250	






# NAMEPLATE / WIRING

Premium Efficiency Motor: **PEWWE300-18-449TSBB**

Document Generated: 15-Oct-2019  
 Document ID:

Customer:

## SAMPLE NAMEPLATE DATA

 		<b>PREMIUM EFFICIENCY                  3-PHASE INDUCTION MOTOR</b>				259277 	CC006A ISO9001
Model	PEWWE300-18-449TSBB	Ser No.	ZP				
HP	300	S.F.	1.15	Type		Encl	TEFC IP55
Frame	449TS	P.F.	0.87	Ins Cl	F	Rating	40°C Amb Cont
Voltage	460 V	Hz	60 Hz	Design	B	DE Brng	6320 C3
Amps	336A	RPM	1790	Code	G	ODE Brng	6320 C3
Nom. Eff.	FL 96.2 %	3/4 96.3 %	460	V		Date	
Class I Division 2 Groups A B C D					Amb. 40°C	T3(200°C)	
10:1 CT 20:1 VT PWM VFD 1.0SF							
<b>WorldWide Electric Corporation</b>							

**Connection**

6	4	5
1	2	3
L1	L2	L3

