



# WORLDWIDE ELECTRIC MOTOR DATA SHEET



## PEWWE250-12-449T

HORSEPOWER	250		
RPM / POLES	1200 / 6		
VOLTAGE / PHASE	460 V / 3		
FRAME	449T		
ENCLOSURE / DEGREE OF PROTECTION	TEFC / IP55		
FREQUENCY	60 HZ		
FULL LOAD SPEED	1190 RPM		
SERVICE FACTOR	1.15		
INSULATION CLASS	F		
FULL LOAD AMPS	298 A		
LOCKED ROTOR AMPS (STARTING)	1825 A		
NO LOAD CURRENT	130 A		
NEMA CODE LETTER	G		
EFFICIENCY / POWER FACTOR	<u>LOAD</u>	<u>EFF.</u>	<u>P.F.</u>
	100%	95.8%	0.82
	75%	95.8%	0.77
	50%	95.4%	0.67
DUTY CYCLE	CONTINUOUS		
TORQUE	<u>FULL LOAD</u>	<u>LRT</u>	<u>BDT</u>
	1103 lb.ft.	190%	250%
SLIP	0.83%		
NEMA DESIGN	B		
MOMENT OF INERTIA	131.000 lb.ft. <sup>2</sup>		
SOUND PRESSURE LEVEL	88 dB(A)		
MAX. TIME LOCKED ROTOR (Hot)	16 Seconds		
MAX. AMBIENT TEMPERATURE	40° C		
MAX. ELEVATION	3300 Ft. Above Sea Level		
TEMPERATURE RISE (At Full Load)	80° C		
DE BEARING	NU320 C3		
ODE BEARING	6320 C3		
REGREASING INT. - DE BEARING	2,000 Hours		
REGREASING INT. - ODE BEARING	2,700 Hours		
GREASE TYPE	Mobil Polyrex EM		
MOUNTING	F1		
ROTATION	Bi-Directional		
CONNECTION DIAGRAM	460 V - 6 Lead Δ		
SHAFT MATERIAL	4140 Carbon Steel		
APPROX. WEIGHT	2750 lbs.		
INVERTER RATING	3:1 CT / 6:1 VT PWM Type		



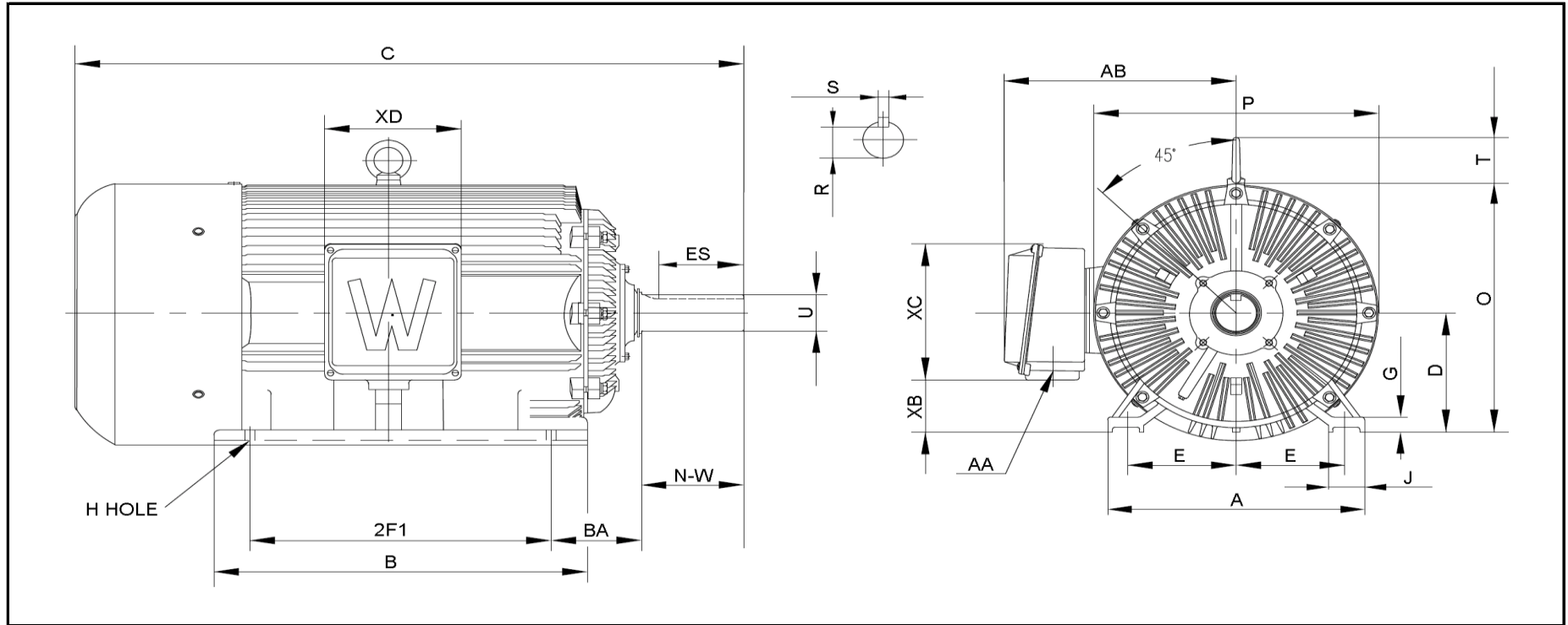
CC006A





# WORLDWIDE ELECTRIC MOTOR DRAWING

## PEWWE-449T



**DIMENSIONS - INCHES**

MOUNTING					A	B	C	D	G	J	P	O	T	AB
E	2F1	2F2	H	BA										
9	25	---	0.81	7.5	22	31	58	11	1.575	3.35	24	23	4.25	19.5

KEY		KEYSET	SHAFT		TERMINAL BOX				
S	ES	R	N-W	U	AA	XB	XC	XD	XE
0.875	7.01	2.88	8.5	3.375	2 x 3"	4.7	12	11.5	---