



**WORLDWIDE ELECTRIC MOTOR DATA SHEET**

**PEWWE125-18-444TC**



HORSEPOWER	125		
RPM / POLES	1800 / 4		
VOLTAGE / PHASE	230 / 460 V / 3		
FRAME	444TC		
ENCLOSURE / DEGREE OF PROTECTION	TEFC / IP55		
FREQUENCY	60 HZ Suitable For 50 HZ Operation With 1.0 SF		
FULL LOAD SPEED	1790 RPM		
SERVICE FACTOR	1.25		
INSULATION CLASS	F		
FULL LOAD AMPS; 230 / 460	292 / 146 A (Usable On 208V At 323 A)		
LOCKED ROTOR AMPS (STARTING); 230 / 460	1815 / 907 A		
NO LOAD CURRENT	101 / 50.5 A		
NEMA CODE LETTER	G		
EFFICIENCY / POWER FACTOR	<u>LOAD</u>	<u>EFF.</u>	<u>P.F.</u>
	100 %	95.4%	0.84
	75 %	95.6%	0.81
	50 %	95.3%	0.73
DUTY CYCLE	S1 / Continuous		
TORQUE	<u>FULL LOAD</u>	<u>LRT</u>	<u>BDT</u>
	367 lb.ft.	160%	230%
SLIP	0.55 %		
NEMA DESIGN	B		
MOMENT OF INERTIA	36.8 lb.ft. <sup>2</sup>		
MAX. TIME LOCKED ROTOR (Hot)	20 Seconds		
SOUND PRESSURE LEVEL	76 dB (A)		
MAX. AMBIENT TEMPERATURE	40° C		
MAX. ELEVATION	3300 Ft.		
TEMPERATURE RISE (At Full Load)	80° C		
DE BEARING	6318 C3		
ODE BEARING	6313 C3		
REGREASING INT. - DE BEARING	1500 Hours		
REGREASING INT. - ODE BEARING	3000 Hours		
GREASE TYPE	SKF LGHP 2		
MOUNTING	F1 (F2 Suitable)		
ROTATION	Bi-Directional		
SHAFT MATERIAL	1045 Carbon Steel		
INVERTER RATING	10:1 CT / 20:1 VT PWM Type		
CONNECTION DIAGRAM	230 / 460 V - 12 Lead Δ		
AREA CLASSIFICATION	Class I, Division 2, Groups A, B, C, D		
APPROXIMATE WEIGHT	1429 lbs.		

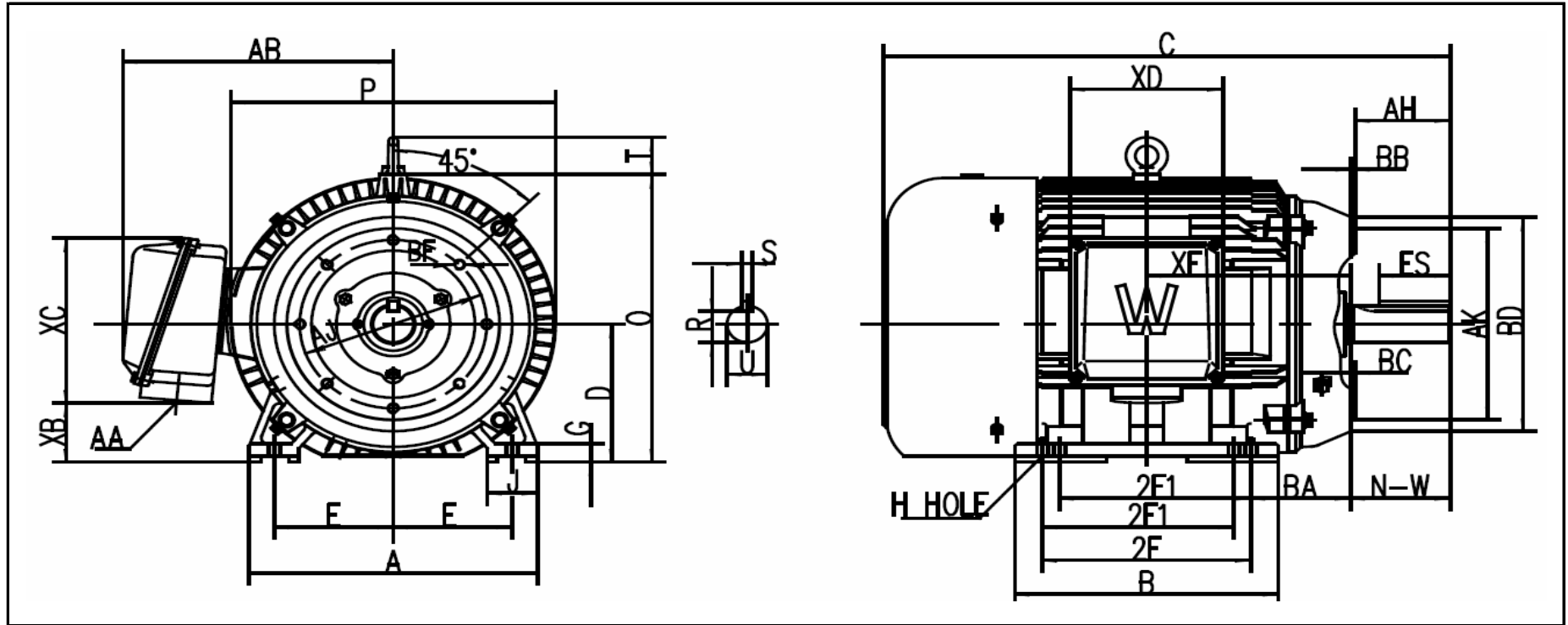


**CC006A**



# WORLDWIDE ELECTRIC MOTOR DRAWING

## PEWWE-444TC



DIMENSIONS - INCHES

MOUNTING					A	B	C	D	G	J	P	O	T	AB
E	2F1	2F2	H	BA										
9	-	14.5	0.81	7.5	22	18.5	41.9	11	1.38	3.4	23.5	23	3.47	20

KEY		KEYSET	FLANGE				SHAFT		TERMINAL BOX					
S	ES	R	AK	AJ	BF	BB	BD	N-W	U	AA	XB	XC	XD	XE
0.875	6.91	2.88	16	14	5/8 - 11	0.25	18	8.5	3.375	2 x 3	5.9	12	11.5	12.9

# PERFORMANCE CURVES

WorldWide Electric Corporation

1 (800) 808-2131

Worldwideelectric.net

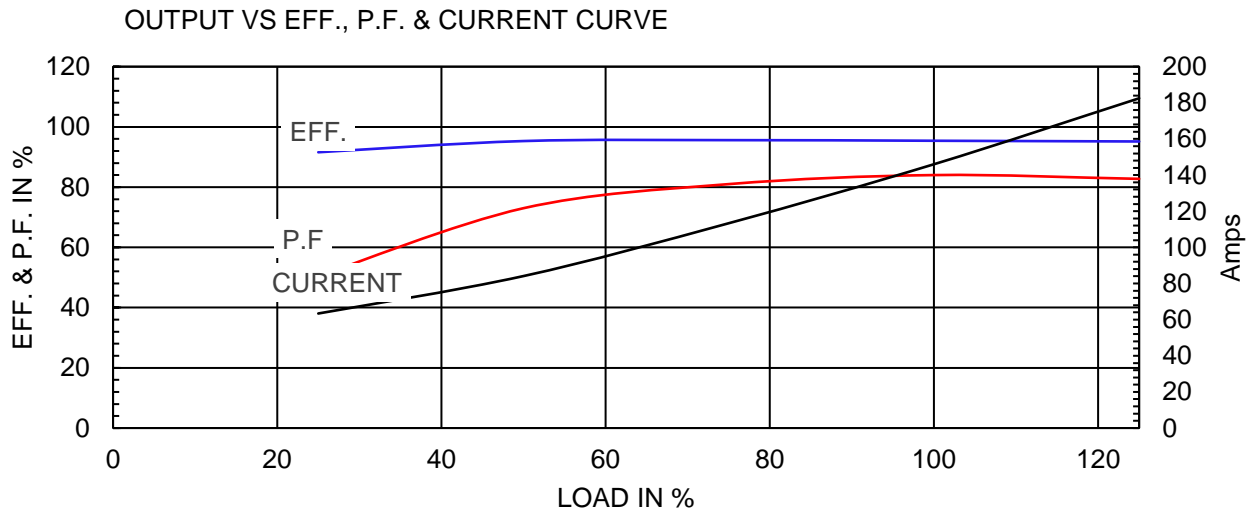
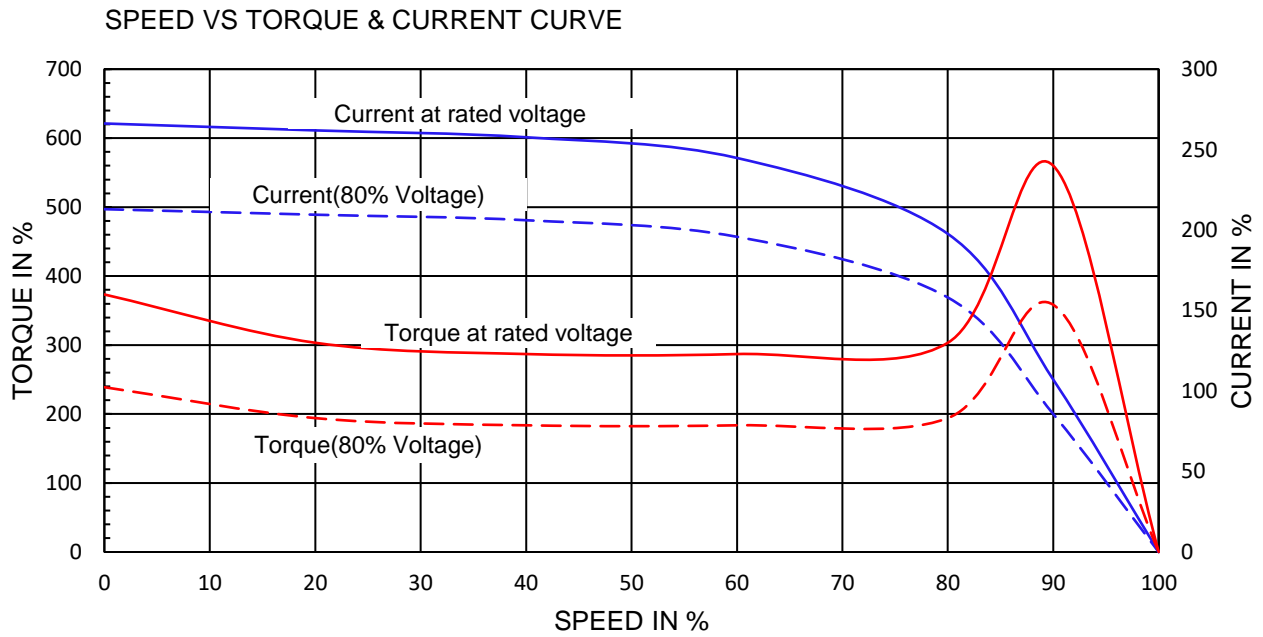


Premium Efficiency Motor:

**PEWWE125-18-444TC**

Document Generated: 25-Jun-2020	Customer:
Document ID:	

Motor Type	PEWWE		FL Speed	1790	
Output Rating (HP)	125		LRT (%FLT)	160	
Full Load Torque	367 lb.ft		460 volt FLA	146	
Rotor Wk <sup>2</sup>	40.1 lb-ft <sup>2</sup>		230 volt FLA	292A	
			BDT (%FLT)	240	



# NAMEPLATE / WIRING

WorldWide Electric Corporation

1 (800) 808-2131

Worldwideelectric.net



Premium Efficiency Motor:

**PEWWE125-18-444TC**

Document Generated: 26-Sep-2019  
Document ID:

Customer:

## SAMPLE NAMEPLATE DATA

	<b>PREMIUM EFFICIENCY 3-PHASE INDUCTION MOTOR</b>	259277 CC006A ISO9001	
<b>Model</b> PEWWE125-18-444TC	<b>Ser No.</b> ZP	<b>Low Voltage</b> 6 4 5 7 8 9 12 10 11 1 2 3 L1 L2 L3	
<b>HP</b> 125 <b>S.F.</b> 1.25 <b>Type</b> <b>Encl</b> TEFC IP55	<b>Frame</b> 444TC <b>P.F.</b> 0.84 <b>Ins Cl</b> F <b>Rating</b> 40°C Amb Cont	<b>High Voltage</b> 4 5 6 7 8 9 12 10 11 1 2 3 L1 L2 L3	
<b>Voltage</b> 230/460 <b>Hz</b> 60 Hz <b>Design</b> B <b>DE Brng</b> 6318 C3	<b>Amps</b> 292A / 146A <b>RPM</b> 1790 <b>Code</b> G <b>ODE Brng</b> 6313 C3		
<b>Nom.Eff.</b> FL 95.4 %    3/4 95.6 %    230/460V <b>Date</b>	Usable on 208V network at 323 Amps 1.0SF    Class I DIV. 2 Groups A B C D    Amb.40°C T3A(180°C)		
10:1 CT    20:1 VT PWM VFD 1.0SF		Class I Zone 2 IIC    Amb.55°C T3(200°C)	
50Hz 125 HP #N/A    V #N/A / #N/A A #N/A rpm 1.0SF			
<b>WorldWide Electric Corporation</b>			

