



# WORLDWIDE ELECTRIC MOTOR DATA SHEET



## OW3-9-215T

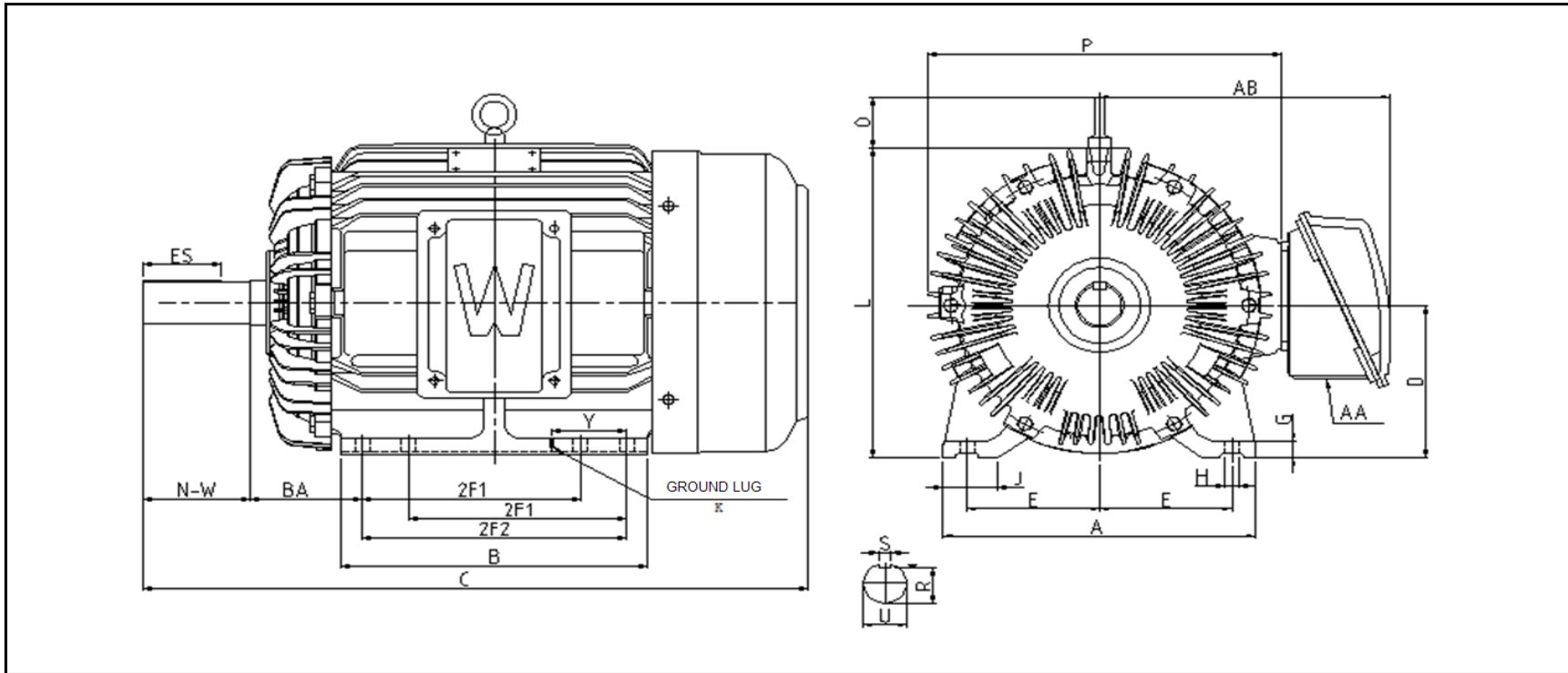
HORSEPOWER	3		
RPM / POLES	900 / 8		
VOLTAGE / PHASE	230 / 460 / 796 V / 3		
FRAME	215T		
ENCLOSURE / DEGREE OF PROTECTION	TEFC / IP55		
FREQUENCY	60 HZ Suitable For 50 HZ Operation With 1.0 SF		
FULL LOAD SPEED	854 RPM		
SERVICE FACTOR	1.15		
INSULATION CLASS	F		
FULL LOAD AMPS; 230 / 460 / 796	9.8 / 4.9 / 2.8 A		
LOCKED ROTOR AMPS (STARTING); 230 / 460 / 796	61.2 / 30.6 / 17.7 A		
NO LOAD CURRENT	6.2 / 3.1 / 1.79 A		
NEMA CODE LETTER	K		
EFFICIENCY / POWER FACTOR	<u>LOAD</u>	<u>EFF.</u>	<u>P.F.</u>
	100%	84.0%	0.67
	75%	84.1%	0.59
	50%	82.2%	0.46
DUTY CYCLE	CONTINUOUS		
TORQUE	<u>FULL LOAD</u>	<u>LRT</u>	<u>BDT</u>
	24.6 N.m	280%	311%
	5.05%		
SLIP	5.05%		
NEMA DESIGN	D		
MOMENT OF INERTIA	lb.ft. <sup>2</sup>		
MAX. TIME LOCKED ROTOR (Hot)	15 Seconds		
MAX. AMBIENT TEMPERATURE	40° C		
MAX. ELEVATION	3300 Ft. Above Sea Level		
TEMPERATURE RISE (At Full Load)	46K		
DE BEARING	6308		
ODE BEARING	6306		
REGREASING INT. - DE BEARING	---		
REGREASING INT. - ODE BEARING	---		
GREASE TYPE	Mobil Polyrex EM		
MOUNTING	F2 (F1 Suitable)		
ROTATION	Bi-Directional		
SHAFT MATERIAL	1045 Carbon Steel		
CONNECTION DIAGRAM	230 / 460 V - 12 Lead Δ		
APPROXIMATE WEIGHT	152.3 lbs.		
INVERTER RATING	10:1 CT / 20:1 VT PWM Type		





# WORLDWIDE ELECTRIC MOTOR DRAWING

## OW-215T



**DIMENSIONS - INCHES**

MOUNTING					A	B	C	D	G	K
E	2F1	2F2	H	BA						
4.25	5.5	7	0.43	3.5	9.88	8.405	20.27	5.25	0.708	M5

KEYSET	KEY		U	N-W	P	AB	AA	L	J	O	Y
	R	ES									
1.201	2.375	0.3122	1.375	3.38	10.8	9.8	1	10.63	1.91	1.77	2.13