



WORLDWIDE ELECTRIC MOTOR DATA SHEET



ODP50-18-326T

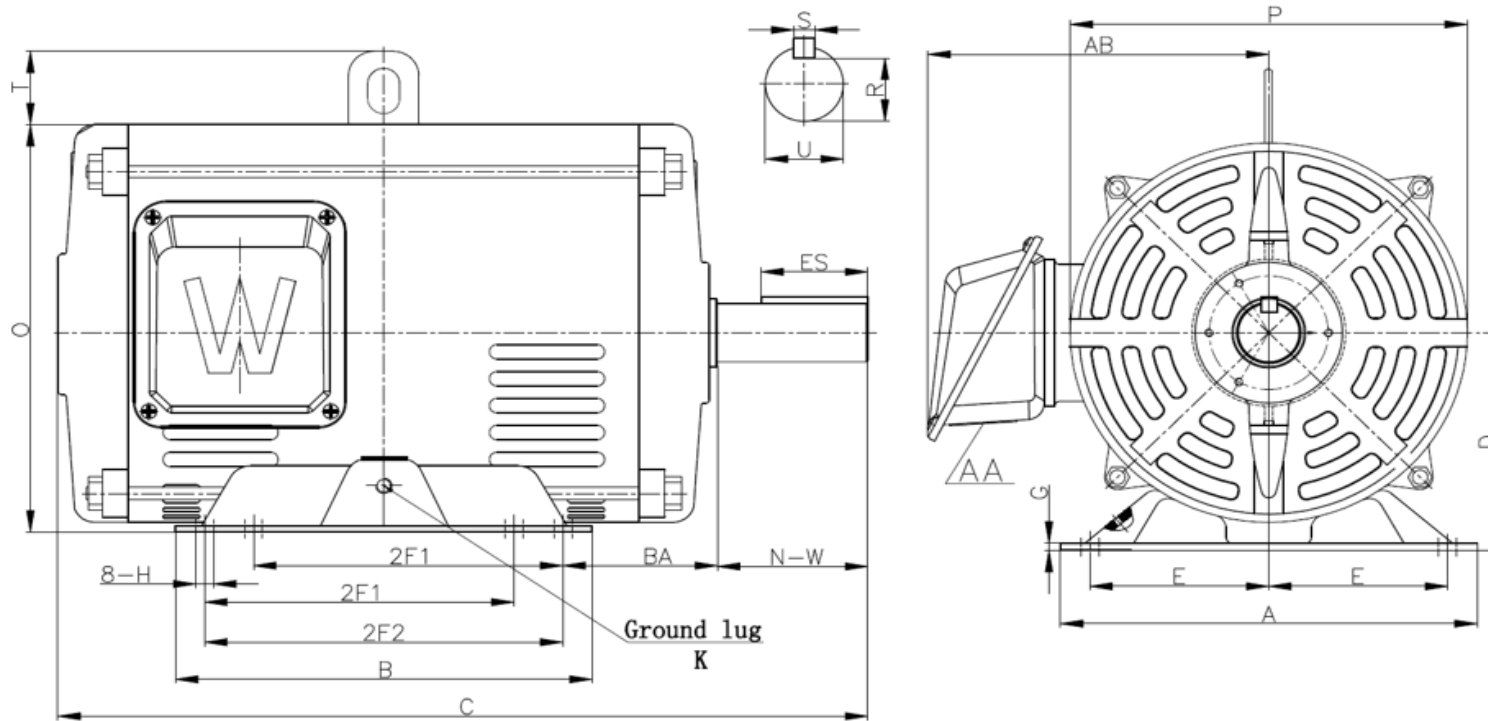
HORSEPOWER	50		
RPM / POLES	1800 / 4		
VOLTAGE / PHASE	208 - 230 / 460 V / 3		
FRAME	326T		
ENCLOSURE / DEGREE OF PROTECTION	ODP / IP23		
FREQUENCY	60 HZ Suitable For 50 HZ Operation With 1.0 SF		
FULL LOAD SPEED	1781 RPM		
SERVICE FACTOR	1.15 SF 60HZ / 1.0 SF at 50HZ		
INSULATION CLASS	F		
FULL LOAD AMPS; 230 / 460	118.6 / 59.3 A		
LOCKED ROTOR AMPS (STARTING); 230 / 460	771.0 / 385.5 A		
NO LOAD CURRENT	46.2 / 23.1 A		
NEMA CODE LETTER	G		
EFFICIENCY / POWER FACTOR	<u>LOAD</u>	<u>EFF.</u>	<u>P.F.</u>
	100%	94.5%	0.83
	75%	94.8%	0.79
	50%	94.3%	0.69
DUTY CYCLE	S1 / Continuous		
TORQUE	<u>FULL LOAD</u>	<u>LRT</u>	<u>BDT</u>
	146.7 lb.ft.	325%	353%
SLIP	1.073%		
NEMA DESIGN	B		
NUMBER OF STARTS (Hot / Cold)	2 Hot / 3 Cold		
MAX. AMBIENT TEMPERATURE	40° C		
MAX. ELEVATION	3300 Ft. Above Sea Level		
TEMPERATURE RISE (At Full Load)	80° C		
DE BEARING	6314Z		
ODE BEARING	6212Z		
GREASE TYPE	NS7 ENS		
MOUNTING	F1 / F2 Suitable		
ROTATION	Bi-Directional		
APPROXIMATE WEIGHT	470 lbs.		
AREA CLASSIFICATION	Non-Hazardous		
INVERTER RATING	10:1 CT / 20:1 VT PWM Type		
SPECIFICATION - In Accordance With	NEMA, UR		





WORLDWIDE ELECTRIC MOTOR DRAWING

ODP-326T



ALL DIMENSIONS IN INCHES

MOUNTING					E	2F1	2F2	H	BA	A	B	C	D	G	K
					6.25	10.5	12	0.66	5.25	15.08	14	27.8	8	0.275	M8

KEYSET	KEY		R	ES	S	U	N-W	P	AB	AA	O	T
1.845	3.88	0.5	2.125	5.25	14	13.1	2.5	15	2.36			