



WORLDWIDE ELECTRIC MOTOR DATA SHEET



ODP30-36-284TS

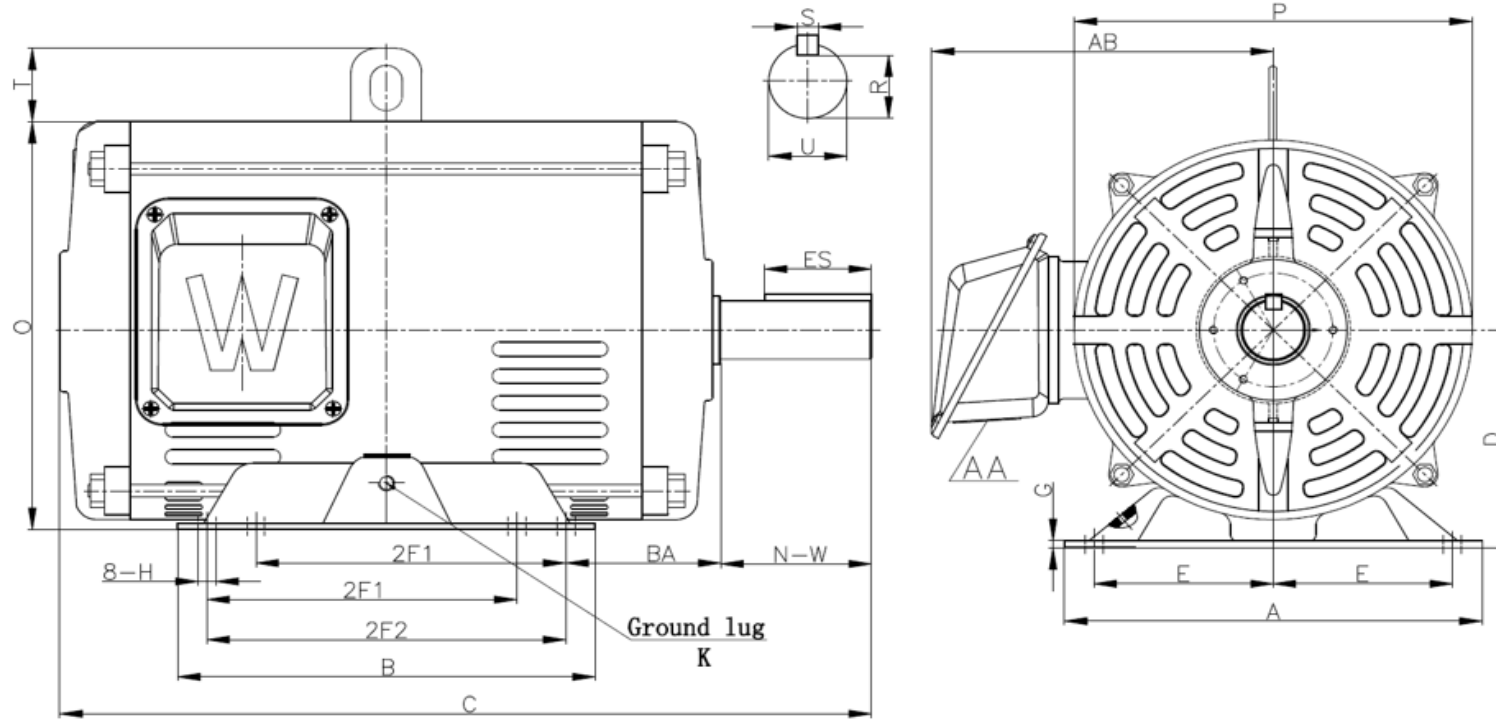
HORSEPOWER	30		
RPM / POLES	3600 / 2		
VOLTAGE / PHASE	208 - 230 / 460 V / 3		
FRAME	284TS		
ENCLOSURE / DEGREE OF PROTECTION	ODP / IP23		
FREQUENCY	60 HZ Suitable For 50 HZ Operation With 1.0 SF		
FULL LOAD SPEED	3558 RPM		
SERVICE FACTOR	1.15 SF 60HZ / 1.0 SF at 50HZ		
INSULATION CLASS	F		
FULL LOAD AMPS; 230 / 460	66.4 / 33.2 A		
LOCKED ROTOR AMPS (STARTING); 230 / 460	473.8 / 236.9 A		
NO LOAD CURRENT	12.2 / 6.1 A		
NEMA CODE LETTER	G		
EFFICIENCY / POWER FACTOR	<u>LOAD</u>	<u>EFF.</u>	<u>P.F.</u>
	100%	91.7%	0.90
	75%	93.2%	0.90
	50%	93.2%	0.87
DUTY CYCLE	S1 / Continuous		
TORQUE	<u>FULL LOAD</u>	<u>LRT</u>	<u>BDT</u>
	43.45 lb.ft.	333%	397%
SLIP	1.168%		
NEMA DESIGN	B		
NUMBER OF STARTS (Hot / Cold)	2 Hot / 3 Cold		
MAX. AMBIENT TEMPERATURE	40° C		
MAX. ELEVATION	3300 Ft. Above Sea Level		
TEMPERATURE RISE (At Full Load)	80° C		
DE BEARING	6311Z		
ODE BEARING	6310Z		
GREASE TYPE	NS7 ENS		
MOUNTING	F1 / F2 Suitable		
ROTATION	Bi-Directional		
APPROXIMATE WEIGHT	329 lbs.		
AREA CLASSIFICATION	Non-Hazardous		
INVERTER RATING	10:1 CT / 20:1 VT PWM Type		
SPECIFICATION - In Accordance With	NEMA, UR		



AUGUST 05, 2019

WORLDWIDE ELECTRIC MOTOR DRAWING

ODP-284TS



ALL DIMENSIONS IN INCHES

MOUNTING					E	2F1	2F2	H	BA	A	B	C	D	G	K

KEYSET	KEY		U	N-W	P	AB	AA	O	T
	ES	S							
1.416	1.91	0.375	1.625	3.25	12.2	11.1	2	13.1	2.36