



# WORLDWIDE ELECTRIC MOTOR DATA SHEET



## ODP25-36-256T

HORSEPOWER	25		
RPM / POLES	3600 / 2		
VOLTAGE / PHASE	208 - 230 / 460 V / 3		
FRAME	256T		
ENCLOSURE / DEGREE OF PROTECTION	ODP / IP23		
FREQUENCY	60 HZ Suitable For 50 HZ Operation With 1.0 SF		
FULL LOAD SPEED	3516 RPM		
SERVICE FACTOR	1.15 SF 60HZ / 1.0 SF at 50HZ		
INSULATION CLASS	F		
FULL LOAD AMPS; 230 / 460	54.0 / 27.0 A		
LOCKED ROTOR AMPS (STARTING); 230 / 460	366.6 / 183.3 A		
NO LOAD CURRENT	8.4 / 4.2 A		
NEMA CODE LETTER	G		
EFFICIENCY / POWER FACTOR	<u>LOAD</u>	<u>EFF.</u>	<u>P.F.</u>
	100%	91.7%	0.93
	75%	93.7%	0.92
	50%	94.0%	0.90
DUTY CYCLE	S1 / Continuous		
TORQUE	<u>FULL LOAD</u>	<u>LRT</u>	<u>BDT</u>
	37.02 lb.ft.	331%	407%
SLIP	2.337%		
NEMA DESIGN	B		
NUMBER OF STARTS (Hot / Cold)	2 Hot / 3 Cold		
MAX. AMBIENT TEMPERATURE	40° C		
MAX. ELEVATION	3300 Ft. Above Sea Level		
TEMPERATURE RISE (At Full Load)	80° C		
DE BEARING	6309Z		
ODE BEARING	6307Z		
GREASE TYPE	NS7 ENS		
MOUNTING	F1 (F2 Suitable)		
ROTATION	Bi-Directional		
APPROXIMATE WEIGHT	270 lbs.		
AREA CLASSIFICATION	Non-Hazardous		
INVERTER RATING	10:1 CT / 20:1 VT PWM Type		
SPECIFICATION - In Accordance With	NEMA, UR		

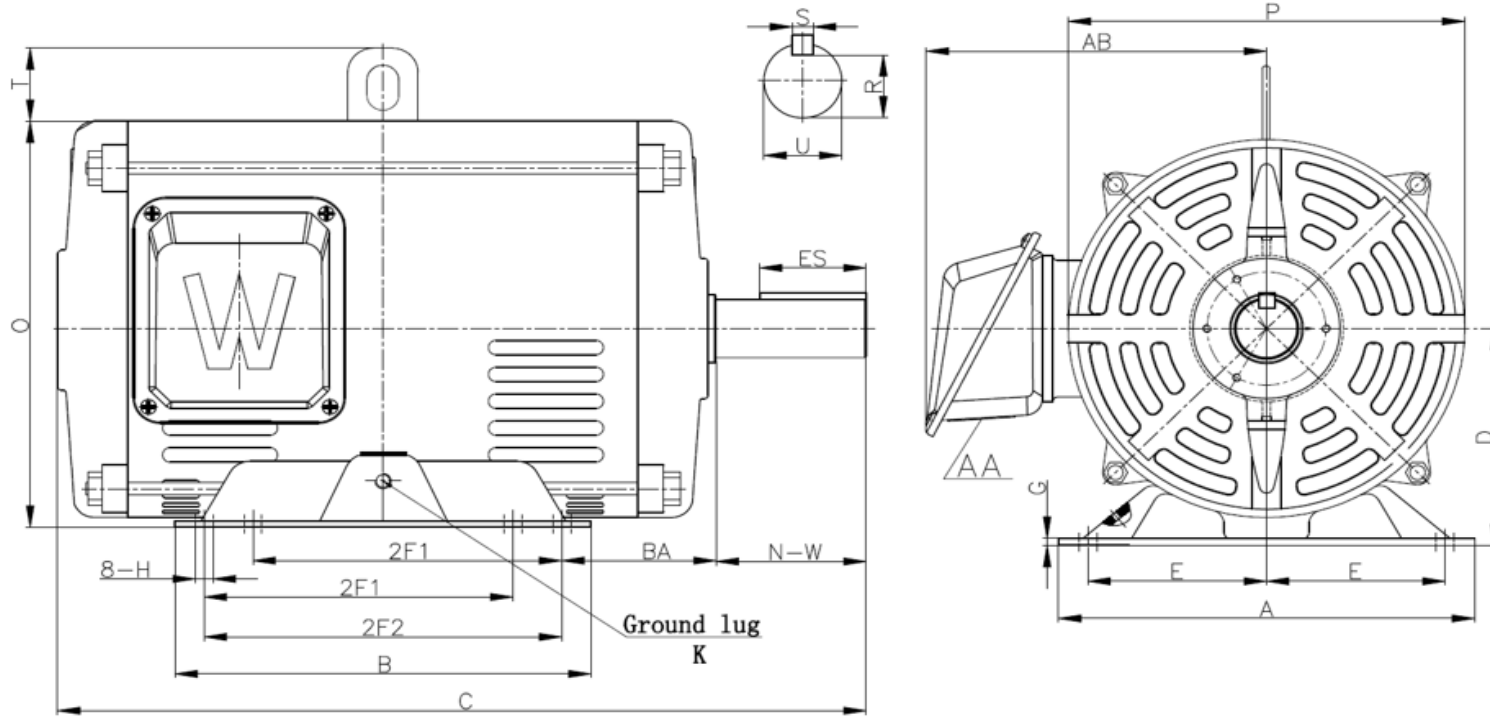


AUGUST 18, 2020



WORLDWIDE ELECTRIC MOTOR DRAWING

ODP-256T



ALL DIMENSIONS IN INCHES

MOUNTING					E	2F1	2F2	H	BA	A	B	C	D	G	K

KEYSET	KEY		R	ES	S	U	N-W	P	AB	AA	O	T
	1.416	2.91										