



WORLDWIDE ELECTRIC MOTOR DATA SHEET



ODP2-12-184T

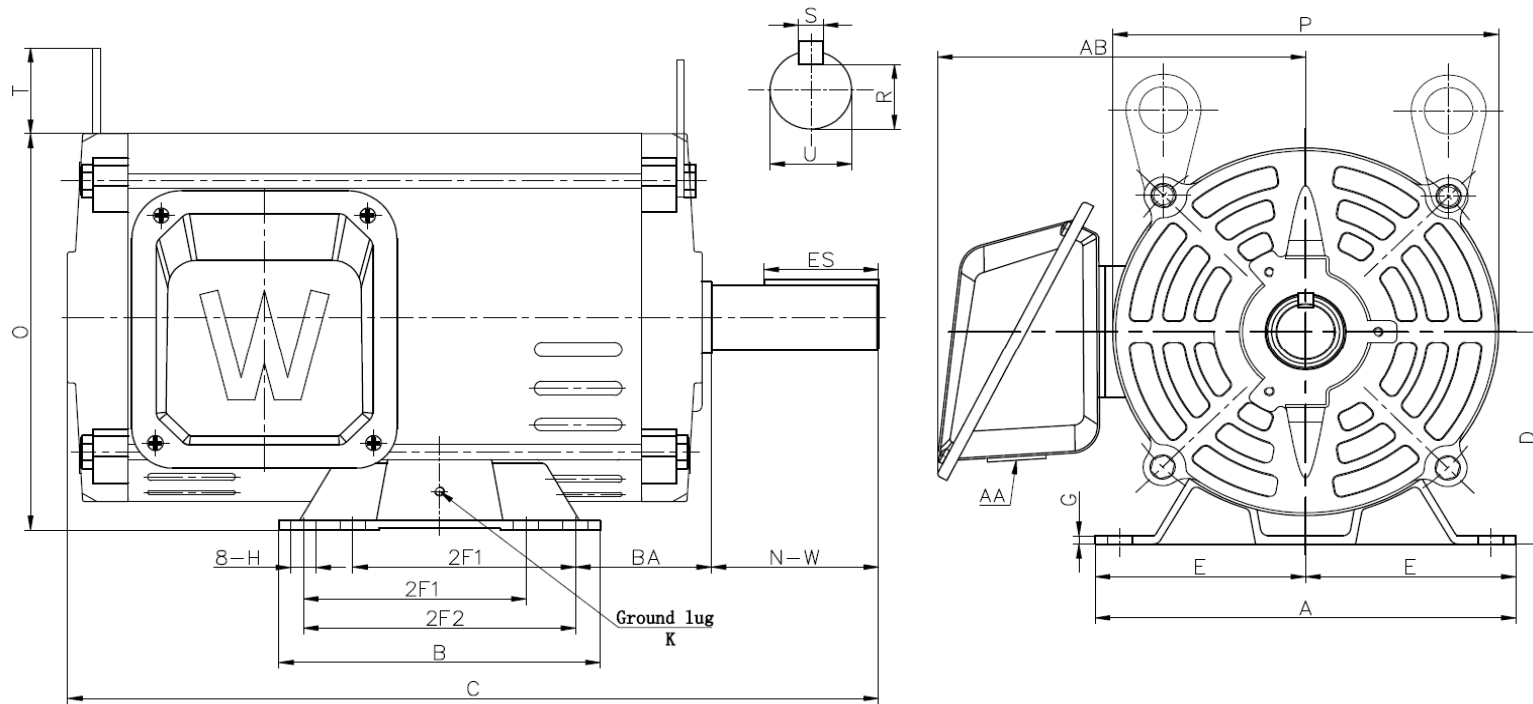
HORSEPOWER	2		
RPM / POLES	1200 / 6		
VOLTAGE / PHASE	208 - 230 / 460 V / 3		
FRAME	184T		
ENCLOSURE / DEGREE OF PROTECTION	ODP / IP23		
FREQUENCY	60 HZ Suitable For 50 HZ Operation With 1.0 SF		
FULL LOAD SPEED	1169 RPM		
SERVICE FACTOR	1.15 SF 60HZ / 1.0 SF at 50HZ		
INSULATION CLASS	F		
FULL LOAD AMPS; 230 / 460	7.0 / 3.5 A		
LOCKED ROTOR AMPS (STARTING); 230 / 460	42.2 / 21.1 A		
NO LOAD CURRENT	4.8 / 2.4 A		
NEMA CODE LETTER	K		
EFFICIENCY / POWER FACTOR	<u>LOAD</u>	<u>EFF.</u>	<u>P.F.</u>
	100%	87.5%	0.61
	75%	87.2%	0.53
	50%	84.8%	0.41
DUTY CYCLE	S1 / Continuous		
TORQUE	<u>FULL LOAD</u>	<u>LRT</u>	<u>BDT</u>
	8.98 lb.ft.	319%	326%
SLIP	2.62%		
NEMA DESIGN	B		
NUMBER OF STARTS (Hot / Cold)	2 Hot / 3 Cold		
MAX. AMBIENT TEMPERATURE	40° C		
MAX. ELEVATION	3300 Ft. Above Sea Level		
TEMPERATURE RISE (At Full Load)	80° C		
DE BEARING	6306ZZ		
ODE BEARING	6305ZZ		
GREASE TYPE	NS7 ENS		
MOUNTING	F1		
ROTATION	Bi-Directional		
APPROXIMATE WEIGHT	76 lbs.		
AREA CLASSIFICATION	Non-Hazardous		
INVERTER RATING	10:1 CT / 20:1 VT PWM Type		
SPECIFICATION - In Accordance With	NEMA, UR		





WORLDWIDE ELECTRIC MOTOR DRAWING

ODP-184T



ALL DIMENSIONS IN INCHES

MOUNTING					A	B	C	D	G	K
E	2F1	2F2	H	BA						
3.75	4.5	5.5	0.41	2.75	8.5	6.495	16.4	4.5	0.41	M5

KEYSET	KEY			U	N-W	P	AB	AA	O	T
	ES	S	R							
0.986	1.78	0.25	1.125	2.75	7.72	7.551	1.09	8.4	1.6	