



WORLDWIDE ELECTRIC MOTOR DATA SHEET



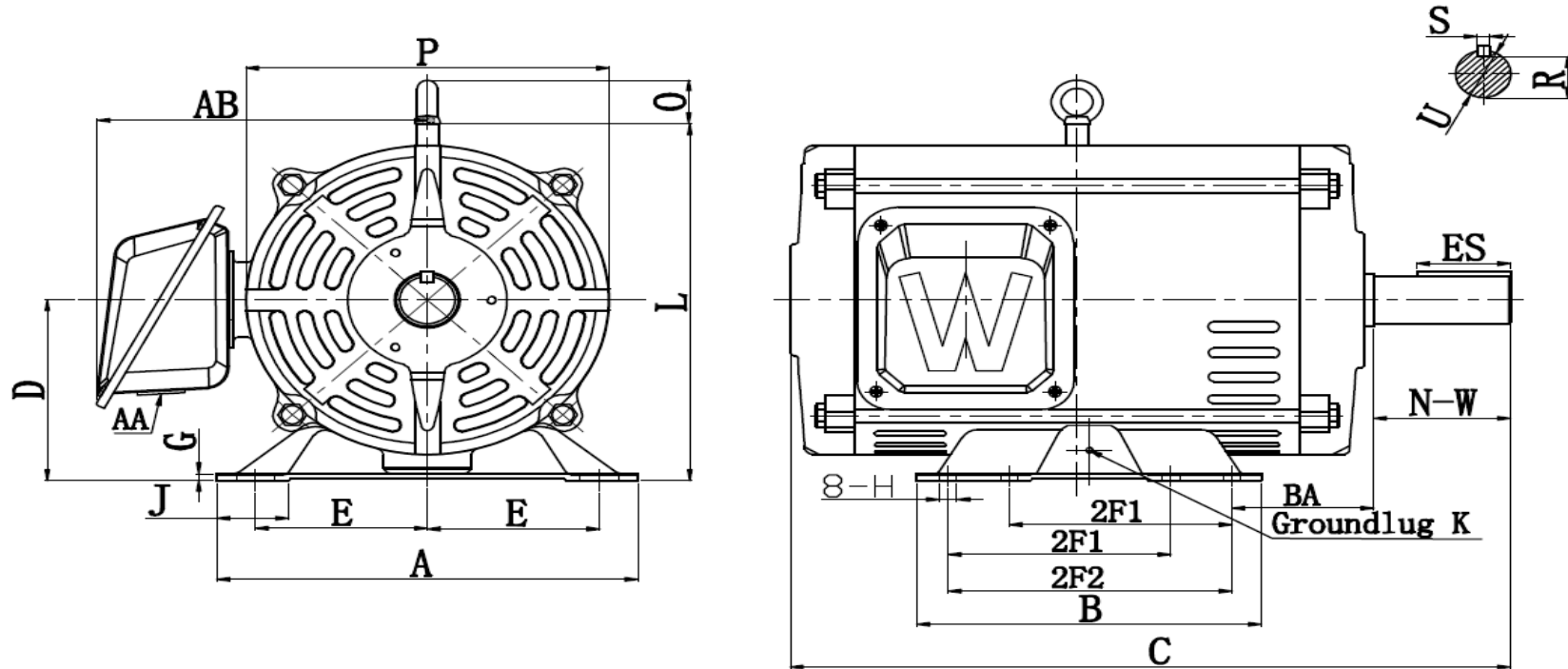
ODP12-36-56CB

HORSEPOWER	0.5		
RPM / POLES	3600 / 2		
VOLTAGE / PHASE	208 - 230 / 460 V / 3		
FRAME	56CB		
ENCLOSURE / DEGREE OF PROTECTION	ODP / IP23		
FREQUENCY	60 HZ Suitable For 50 HZ Operation With 1.0 SF		
FULL LOAD SPEED	3440 RPM		
SERVICE FACTOR	1.15 SF 60HZ / 1.0 SF at 50HZ		
INSULATION CLASS	F		
FULL LOAD AMPS; 230 / 460	1.46 / 0.73 A		
LOCKED ROTOR AMPS (STARTING); 230 / 460	10.54 / 5.27 A		
NO LOAD CURRENT	0.8 / 0.4 A		
NEMA CODE LETTER	K		
EFFICIENCY / POWER FACTOR	<u>LOAD</u>	<u>EFF.</u>	<u>P.F.</u>
	100%	73.4%	0.81
	75%	78.4%	0.74
	50%	74.9%	0.62
DUTY CYCLE	S1 / Continuous		
TORQUE	<u>FULL LOAD</u>	<u>LRT</u>	<u>BDT</u>
	0.76 lb.ft.	331%	380%
SLIP	4.457%		
NEMA DESIGN	B		
NUMBER OF STARTS (Hot / Cold)	2 Hot / 3 Cold		
MAX. AMBIENT TEMPERATURE	40° C		
MAX. ELEVATION	3300 Ft. Above Sea Level		
TEMPERATURE RISE (At Full Load)	80° C		
DE BEARING	6203ZZ		
ODE BEARING	6203ZZ		
GREASE TYPE	Multemp SRL		
MOUNTING	F1		
ROTATION	Bi-Directional		
APPROXIMATE WEIGHT	22 lbs.		
AREA CLASSIFICATION	Non-Hazardous		
INVERTER RATING	10:1 CT / 20:1 VT PWM Type		
SPECIFICATION - In Accordance With	NEMA, UR		



WORLDWIDE ELECTRIC MOTOR DRAWING

ODP-56C



DIMENSIONS - INCHES

MOUNTING									
E	2F1	H	BA	A	B	C	D	G	K
2.44	3	0.34	2.75	6.49	3.99	10.6	3.5	0.118	M5

KEYSET	KEY										
R	ES	S	U	N-W	P	AB	AA	L	BB	AK	AJ
0.517	1.41	0.188	0.625	1.88	6.5	5.7	0.88	6.5	0.12	4.5	5.875