

# DATA SHEET

Premium Efficiency Motor: **LAM200-18-445/7T**

**60 Hz**

WorldWide Electric Corporation

1 (800) 808-2131

Worldwideelectric.net



Document Generated: 5-Apr-2021

Document ID:

Customer:

## MOTOR INFORMATION

HP	200
RPM	1800
Phase	3
Frequency	60 Hz
Voltage	208-230/460
Frame Size	445/7T
Enclosure	TEFC
Degree of Protection	IP55
Service Factor	1.25
Poles	4
Full Load Speed	1790
Insulation Class	F
Temp Rise	80°C
NEMA Code Letter	G
Duty Cycle	S1 / Continuous
Slip	0.56%
NEMA Design	B
Moment of Inertia	76.948 lb.ft.^2
Locked Rotor Time (Hot)	12 seconds
Sound Pressure Level	103 dB(A)
Number of Starts	2 Cold/1 Hot
Max Ambient Temperature	40°C
Max Elevation	1000 m.a.s.l (3300 f.a.s.l)
Mounting	F1
Rotation	Bi-Directional
Area of Classification	Class 1 Division 2 Groups A,B,C,D T3B
Inverter Rating	10:1 CT / 20:1 VT
Standard	NEMA MG-1
Approvals	UL, CE, IEEE45

## EFFICIENCY/POWER FACTOR

LOAD	EFF	P. F.
100%	96.2 %	0.89
75%	96.1 %	0.87
50%	95.7 %	0.8

## TORQUE

FULL LOAD	LRT	BDT
590 lb.ft.	202 %	343 %

## AMPERAGE INFORMATION

	230V	460V
Full Load Amps	442.2A	221.1
Locked Rotor Amps	3150A	1575A
No Load Current	129A	64.5A
Usable at 208V	489 A	

## BEARING INFORMATION

DE Bearing	NU320 C3
ODE Bearing	6316 C3
Grease Type	Mobil Polyrex EM
DE Regreasing Interval	2400 Hours
ODE Regreasing Interval	3600 Hours
Grease Quantity	51g/33g

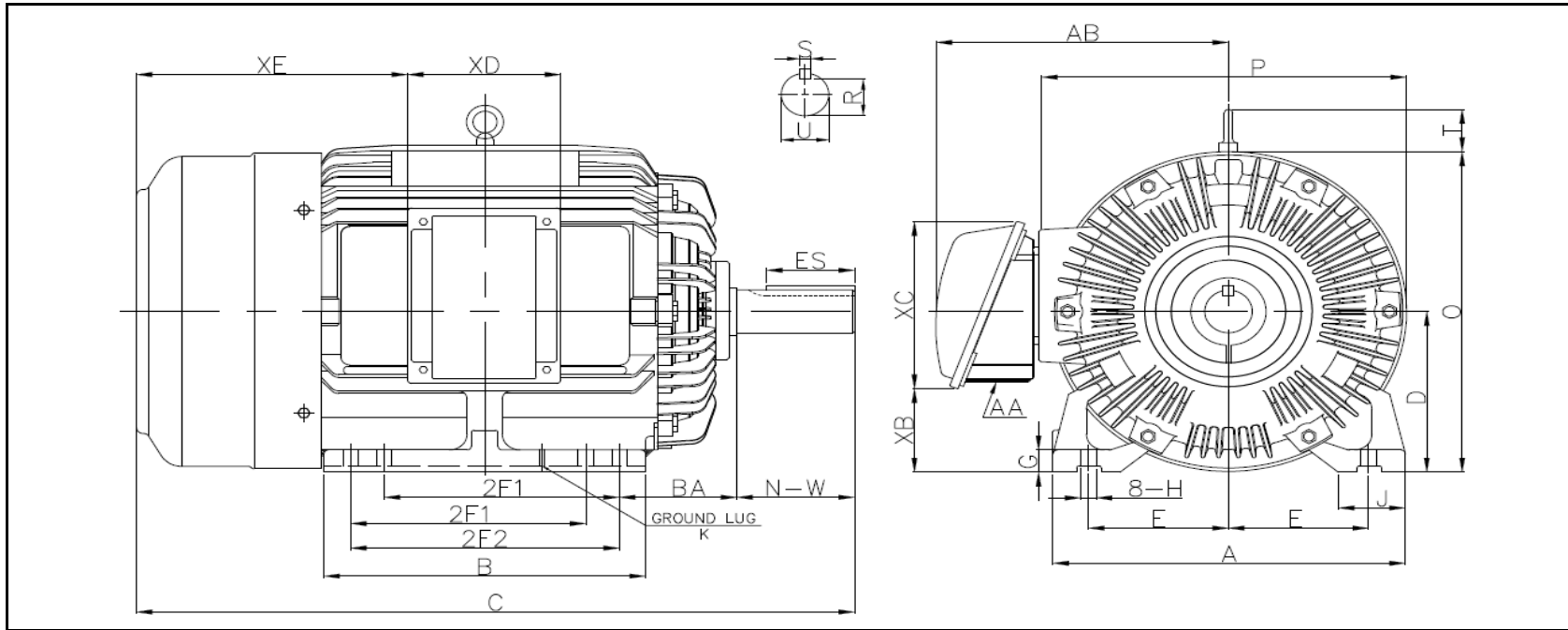
## ADDITIONAL DATA

F2 Suitable	YES
Shaft Material	AISI 1045
Connection Diagram	12 Lead Delta
Approximate Weight	lbs.



# LOUIS ALLIS MOTOR DRAWING

## LAM-445/7T



**DIMENSIONS - INCHES**

MOUNTING					A	B	C	D	G	J	P	O	T	AB
E	2F1	2F2	H	BA										
9	16.5	20	0.81	7.5	22	29	53.25	11	1.417	4.33	23.75	23.6	4.06	19.095

SHAFT & KEY				
S	ES	R	N-W	U
0.875	6.91	2.88	8.5	3.375

TERMINAL BOX				
AA	XB	XC	XD	XE
3	4.13	16.2	11.6	19.2

# PERFORMANCE CURVES

WorldWide Electric Corporation

1 (800) 808-2131

Worldwideelectric.net



Premium Efficiency Motor:

**LAM200-18-447T**

Document Generated:	5-Apr-2021	Customer:	
Document ID:			

Motor Type	SSPE		
Output Rating (HP)	200	FL Speed	1790
Full Load Torque	590 lb.ft	LRT (%FLT)	202
		460 volt FLA	221.1
Rotor Wk <sup>2</sup>	76.948 lb-ft <sup>2</sup>	BDT (%FLT)	343
		230 volt FLA	442.2A

