

DATA SHEET

Premium Efficiency Motor: **LAM150-12-447TC,**

60 Hz

WorldWide Electric Corporation

1 (800) 808-2131

Worldwideelectric.net



Document Generated: 5-Apr-2021

Document ID:

Customer:

MOTOR INFORMATION

HP	150
RPM	1200
Phase	3
Frequency	60 Hz
Voltage	208-230/460
Frame Size	447TC
Enclosure	TEFC
Degree of Protection	IP55
Service Factor	1.25
Poles	6
Full Load Speed	1186
Insulation Class	F
Temp Rise	80°C
NEMA Code Letter	G
Duty Cycle	S1 / Continuous
Slip	1.19%
NEMA Design	B
Moment of Inertia	71.963 lb.ft.^2
Locked Rotor Time (Hot)	12 seconds
Sound Pressure Level	98 dB(A)
Number of Starts	2 Cold/1 Hot
Max Ambient Temperature	40°C
Max Elevation	1000 m.a.s.l (3300 f.a.s.l)
Mounting	F1
Rotation	Bi-Directional
Area of Classification	Class 1 Division 2 Groups A,B,C,D T3B
Inverter Rating	10:1 CT / 20:1 VT
Standard	NEMA MG-1
Approvals	UL, CE, IEEE45

EFFICIENCY/POWER FACTOR

LOAD	EFF	P. F.
100%	95.8 %	0.85
75%	96.2 %	0.84
50%	96.4 %	0.78

TORQUE

FULL LOAD	LRT	BDT
654.7 lb.ft.	219 %	279 %

AMPERAGE INFORMATION

	230V	460V
Full Load Amps	340.6A	170.3
Locked Rotor Amps	2360A	1180A
No Load Current	91.4A	45.7A
Usable at 208V	376.6 A	

BEARING INFORMATION

DE Bearing	6320 C3
ODE Bearing	6316 C3
Grease Type	Mobil Polyrex EM
DE Regreasing Interval	2400 Hours
ODE Regreasing Interval	3600 Hours
Grease Quantity	51g/33g

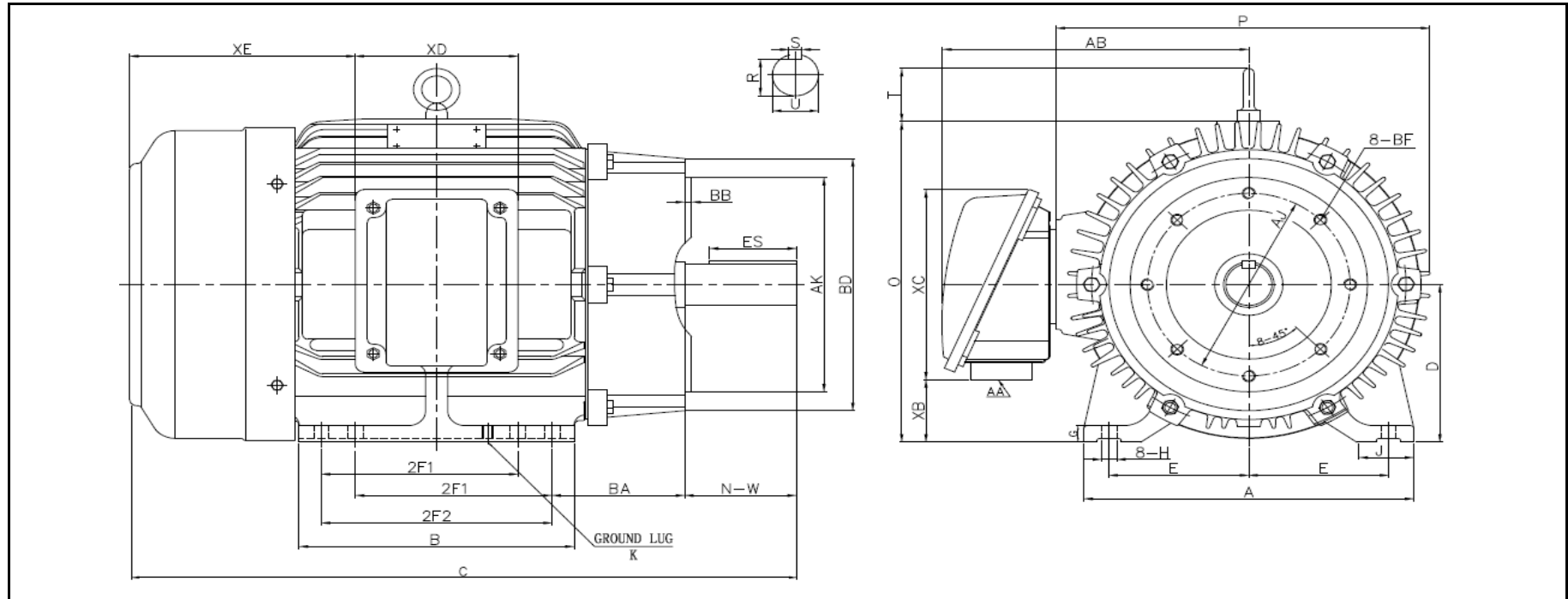
ADDITIONAL DATA

F2 Suitable	YES
Shaft Material	AISI 1045
Connection Diagram	12 Lead Delta
Approximate Weight	lbs.



LOUIS ALLIS MOTOR DRAWING

LAM-447/9TC



DIMENSIONS - INCHES

MOUNTING					A	B	C	D	G	J	P	O	T	AB
E	2F1	2F2	H	BA										
9	20	25	0.81	7.5	22	29	49.5	11	1.417	4.33	23.75	23.6	4.06	19.095

SHAFT & KEY				
S	ES	R	N-W	U
0.875	6.91	2.88	8.5	3.375

TERMINAL BOX				
AA	XB	XC	XD	XE
3	4.13	16.2	11.6	19.2

FLANGE				
AK	BD	AJ	BF	BB
16	18	14	(8) 5/8-11	0.25

REVISED - 3/18/2021

PERFORMANCE CURVES

WorldWide Electric Corporation

1 (800) 808-2131

Worldwideelectric.net



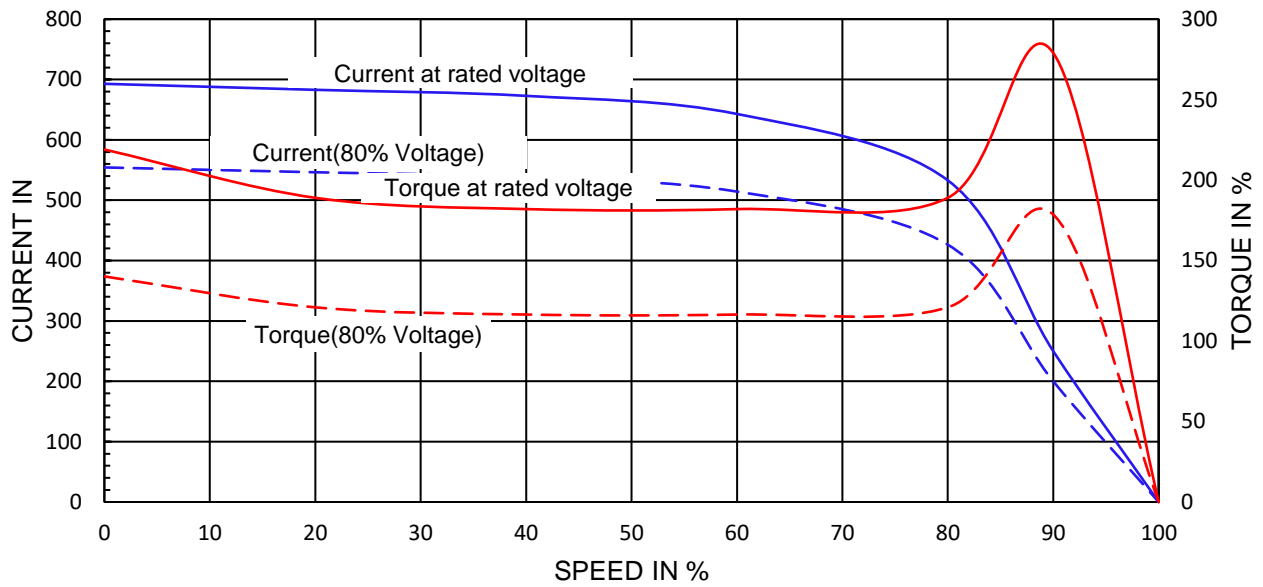
Premium Efficiency Motor:

LAM150-12-447TC

Document Generated:	5-Apr-2021	Customer:	
Document ID:			

Motor Type	LAM				
Output Rating (HP)	150	FL Speed	1186		
Full Load Torque	654.7 lb.ft	LRT (%FLT)	219	460 volt FLA	170.3
Rotor Wk ²	71.963 lb-ft ²	BDT (%FLT)	279	230 volt FLA	340.6A

SPEED VS TORQUE & CURRENT CURVE



OUTPUT VS EFF., P.F. & CURRENT CURVE

