

# DATA SHEET

Premium Efficiency Motor: **LAM15-36-254TC,**

**60 Hz**

WorldWide Electric Corporation

1 (800) 808-2131

Worldwideelectric.net



Document Generated: 5-Apr-2021

Document ID:

Customer:

## MOTOR INFORMATION

HP	15
RPM	3600
Phase	3
Frequency	60 Hz
Voltage	208-230/460
Frame Size	254/6TC
Enclosure	TEFC
Degree of Protection	IP55
Service Factor	1.25
Poles	2
Full Load Speed	3514
Insulation Class	F
Temp Rise	80°C
NEMA Code Letter	G
Duty Cycle	S1 / Continuous
Slip	2.38%
NEMA Design	B
Moment of Inertia	1.024 lb.ft.^2
Locked Rotor Time (Hot)	12 seconds
Sound Pressure Level	94 dB(A)
Number of Starts	2 Cold/1 Hot
Max Ambient Temperature	40°C
Max Elevation	1000 m.a.s.l (3300 f.a.s.l)
Mounting	F1
Rotation	Bi-Directional
Area of Classification	Class 1 Division 2 Groups A,B,C,D T3B
Inverter Rating	10:1 CT / 20:1 VT
Standard	NEMA MG-1
Approvals	UL, CE, IEEE45

## EFFICIENCY/POWER FACTOR

LOAD	EFF	P. F.
100%	91.0 %	0.92
75%	90.7 %	0.91
50%	89.5 %	0.87

## TORQUE

FULL LOAD	LRT	BDT
21.9 lb.ft.	372 %	420 %

## AMPERAGE INFORMATION

	230V	460V
Full Load Amps	33.2A	16.6
Locked Rotor Amps	223.8A	111.9A
No Load Current	7.2A	3.6A
Usable at 208V	36.7 A	

## BEARING INFORMATION

DE Bearing	6309 C3
ODE Bearing	6307 C3
Grease Type	Mobil Polyrex EM
DE Regreasing Interval	2400 Hours
ODE Regreasing Interval	3600 Hours
Grease Quantity	13g/8g

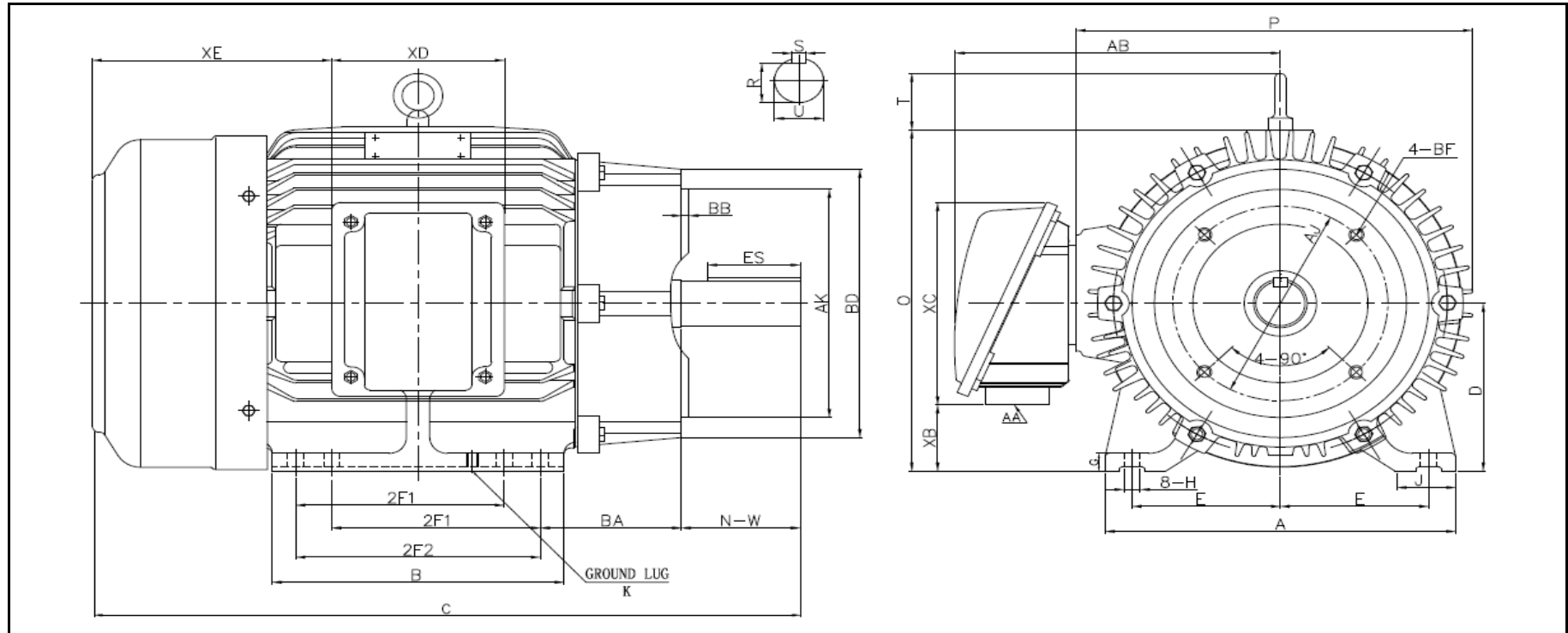
## ADDITIONAL DATA

F2 Suitable	YES
Shaft Material	AISI 1045
Connection Diagram	9 Lead Wye
Approximate Weight	lbs.



# LOUIS ALLIS MOTOR DRAWING

## LAM-254/6TC



### DIMENSIONS - INCHES

MOUNTING					A	B	C	D	G	J	P	O	T	AB
E	2F1	2F2	H	BA										
5	8.25	10	0.53	4.25	11.8	11.57	25.39	6.25	0.669	2.038	13.46	12.68	2.03	10.57

SHAFT & KEY				
S	ES	R	N-W	U
0.375	2.91	1.416	4	1.625

TERMINAL BOX				
AA	XB	XC	XD	XE
1 1/2	2.86	7.2	5.8	8.1

FLANGE				
AK	BD	AJ	BF	BB
8.5	10	7.25	(4) 1/2-13	0.25

REVISED - 3/18/2021

# PERFORMANCE CURVES

WorldWide Electric Corporation

1 (800) 808-2131

Worldwideelectric.net



Premium Efficiency Motor:

**LAM15-36-254TC**

Document Generated:	5-Apr-2021	Customer:	
Document ID:			

Motor Type	LAM		
Output Rating (HP)	15	FL Speed	3514
Full Load Torque	21.9 lb.ft	LRT (%FLT)	372
		460 volt FLA	16.6
Rotor Wk <sup>2</sup>	1.024 lb-ft <sup>2</sup>	BDT (%FLT)	420
		230 volt FLA	33.2A

