

DATA SHEET

Premium Efficiency Motor: **LAM100-18-405T,**

60 Hz

WorldWide Electric Corporation

1 (800) 808-2131

Worldwideelectric.net



Document Generated: 5-Apr-2021

Document ID:

Customer:

MOTOR INFORMATION

HP	100
RPM	1800
Phase	3
Frequency	60Hz
Voltage	208-230/460
Frame Size	404/5T
Enclosure	TEFC
Degree of Protection	IP55
Service Factor	1.25
Poles	4
Full Load Speed	1784
Insulation Class	F
Temp Rise	80°C
NEMA Code Letter	G
Duty Cycle	S1 / Continuous
Slip	0.90%
NEMA Design	B
Moment of Inertia	27.147 lb.ft.^2
Locked Rotor Time (Hot)	12 seconds
Sound Pressure Level	98 dB(A)
Number of Starts	2 Cold/1 Hot
Max Ambient Temperature	40°C
Max Elevation	1000 m.a.s.l (3300 f.a.s.l)
Mounting	F1
Rotation	Bi-Directional
Area of Classification	Class 1 Division 2 Groups A,B,C,D T3B
Inverter Rating	10:1 CT / 20:1 VT
Standard	NEMA MG-1
Approvals	UL, CE, IEEE45

EFFICIENCY/POWER FACTOR

LOAD	EFF	P. F.
100%	95.4 %	0.87
75%	95.4 %	0.86
50%	94.8 %	0.81

TORQUE

FULL LOAD	LRT	BDT
296.5 lb.ft.	154 %	244 %

AMPERAGE INFORMATION

	230V	460V
Full Load Amps	225.8A	112.9
Locked Rotor Amps	1491.4A	745.7A
No Load Current	53.8A	26.9A
Usable at 208V	249.7 A	

BEARING INFORMATION

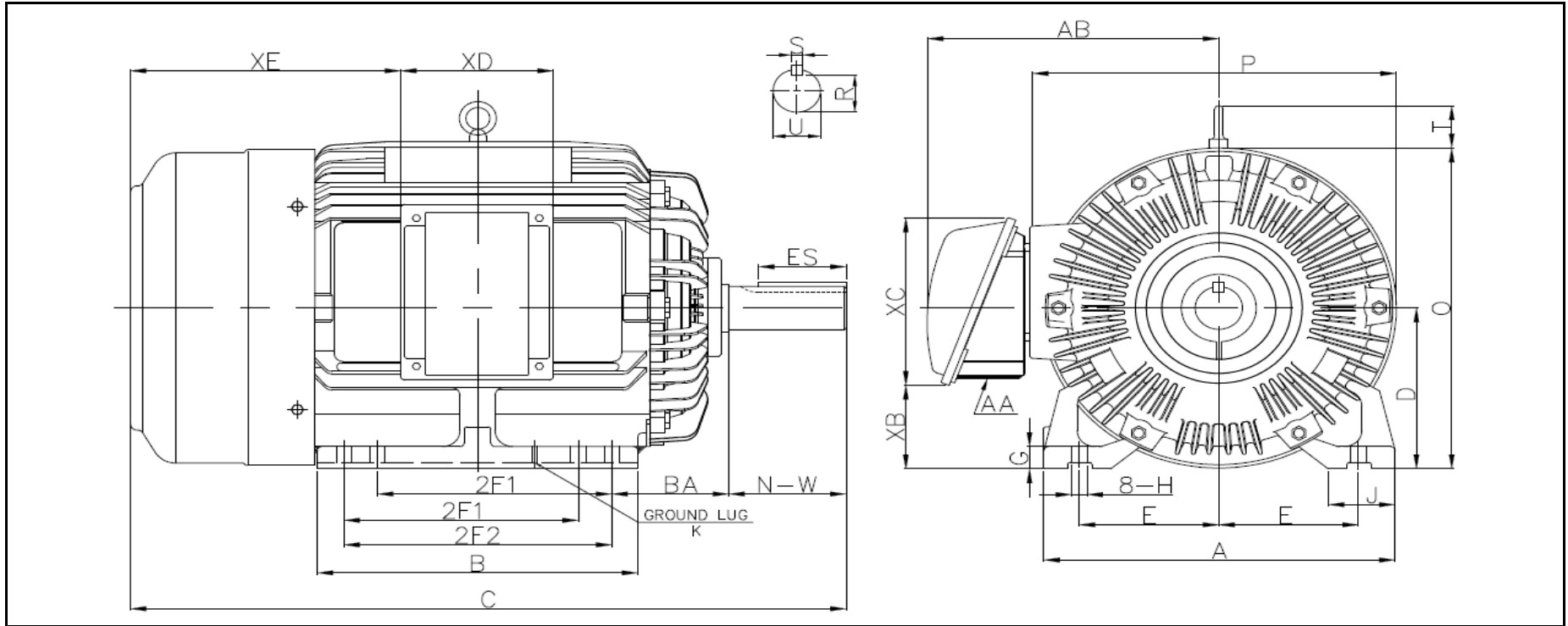
DE Bearing	NU316 C3
ODE Bearing	6313 C3
Grease Type	Mobil Polyrex EM
DE Regreasing Interval	2400 Hours
ODE Regreasing Interval	3600 Hours
Grease Quantity	33g/23g

ADDITIONAL DATA

F2 Suitable	YES
Shaft Material	AISI 1045
Connection Diagram	12 Lead Delta
Approximate Weight	1150.6 lbs.



LOUIS ALLIS MOTOR DRAWING LAM-404/5T



DIMENSIONS - INCHES

MOUNTING					A	B	C	D	G	J	P	O	T	AB
E	2F1	2F2	H	BA										
8	12.25	13.75	0.81	6.62	18.89	17.32	40.75	10	1.181	3.937	20.27	20.67	2.81	18.215

SHAFT & KEY				
S	ES	R	N-W	U
0.75	5.65	2.45	7.25	2.875

TERMINAL BOX				
AA	XB	XC	XD	XE
3	5.29	11.27	9.17	12.32

PERFORMANCE CURVES

WorldWide Electric Corporation

1 (800) 808-2131

Worldwideelectric.net



Premium Efficiency Motor:

LAM100-18-405T

Document Generated:	5-Apr-2021	Customer:	
Document ID:			

Motor Type	LAM		
Output Rating (HP)	100	FL Speed	1784
Full Load Torque	296.5 lb.ft	LRT (%FLT)	154
		460 volt FLA	112.9
Rotor Wk ²	27.147 lb-ft ²	BDT (%FLT)	244
		230 volt FLA	225.8A

