



WORLDWIDE ELECTRIC MOTOR DATA SHEET

IXPEWWE50-18-326T



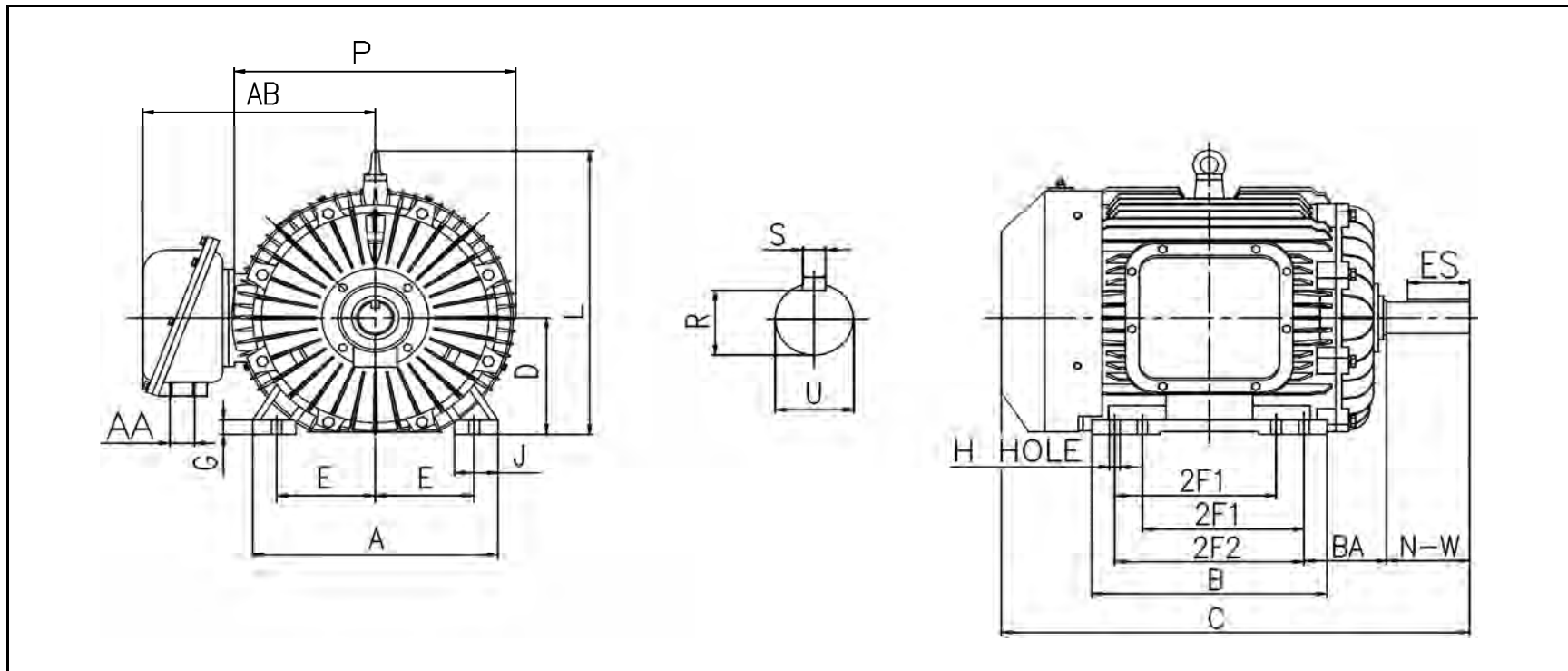
| | | | |
|----------------------------------|--|-------------|-------------|
| HORSEPOWER | 50 | | |
| RPM / POLES | 1800 / 4 | | |
| VOLTAGE / PHASE | 230 / 460 V / 3 | | |
| FRAME | 326T | | |
| ENCLOSURE / DEGREE OF PROTECTION | TEFC / IP55 | | |
| FREQUENCY | 60 HZ Suitable For 50 HZ Operation With 1.0 SF | | |
| FULL LOAD SPEED | 1783 RPM | | |
| SERVICE FACTOR | 1.15 SF | | |
| INSULATION CLASS | F | | |
| FULL LOAD AMPS | 110 / 55.0 A | | |
| LOCKED ROTOR AMPS (STARTING) | 725 / 362.5 A | | |
| NO LOAD CURRENT | | | |
| NEMA CODE LETTER | G | | |
| EFFICIENCY / POWER FACTOR | <u>LOAD</u> | <u>EFF.</u> | <u>P.F.</u> |
| | 100% | 94.5% | 0.85 |
| | 75% | 94.6% | 0.85 |
| | 50% | 94.2% | 0.83 |
| DUTY CYCLE | S1 / Continuous | | |
| TORQUE | <u>FULL LOAD</u> | <u>LRT</u> | <u>BDT</u> |
| | 148.1 lb.ft. | 140% | 200% |
| SLIP | 0.94% | | |
| NEMA DESIGN | B | | |
| MOMENT OF INERTIA | | | |
| NUMBER OF STARTS (Hot / Cold) | 1 Hot / 2 Cold (Per Hour) | | |
| MAX. AMBIENT TEMPERATURE | 40° C | | |
| MAX. ELEVATION | 3300 Ft. Above Sea Level | | |
| TEMPERATURE RISE (At Full Load) | 80° C | | |
| DE BEARING | 6312 | | |
| ODE BEARING | 6312 | | |
| GREASE TYPE | Mobil Polyrex EM | | |
| MOUNTING | F1 | | |
| ROTATION | Bi-Directional | | |
| APPROXIMATE WEIGHT | 763 lbs. | | |
| TEMPERATURE CODE AT 40°C AMBIENT | T3C | | |
| TEMPERATURE CODE AT 55°C AMBIENT | T2C | | |
| AREA CLASSIFICATION | Class I, Division I, Groups C & D | | |
| | Class II, Division I, Groups F & G | | |
| INVERTER RATING | 5:1 CT / 10:1 VT PWM Type | | |





WORLDWIDE ELECTRIC MOTOR DRAWING

IXPEWWE-326T



| MOUNTING | | | | | A | B | C | D | G | J |
|----------|------|-----|------|------|------|------|------|---|------|------|
| E | 2F1 | 2F2 | H | BA | | | | | | |
| 6.25 | 10.5 | 12 | 0.66 | 5.25 | 15.6 | 14.9 | 31.8 | 8 | 0.98 | 2.76 |

| L | P | AA | AB | KEY | KEYSEAT | SHAFT | N-W | U |
|------|-------|----|------|------|---------|-------|------|-------|
| | | | | ES | S | R | | |
| 19.9 | 18.03 | 2 | 15.4 | 3.94 | 0.5 | 1.854 | 5.25 | 2.125 |

ALL DIMENSIONS IN INCHES

REVISED - 09/16/16