



# WORLDWIDE ELECTRIC MOTOR DATA SHEET

## IXPEWWE50-12-365T



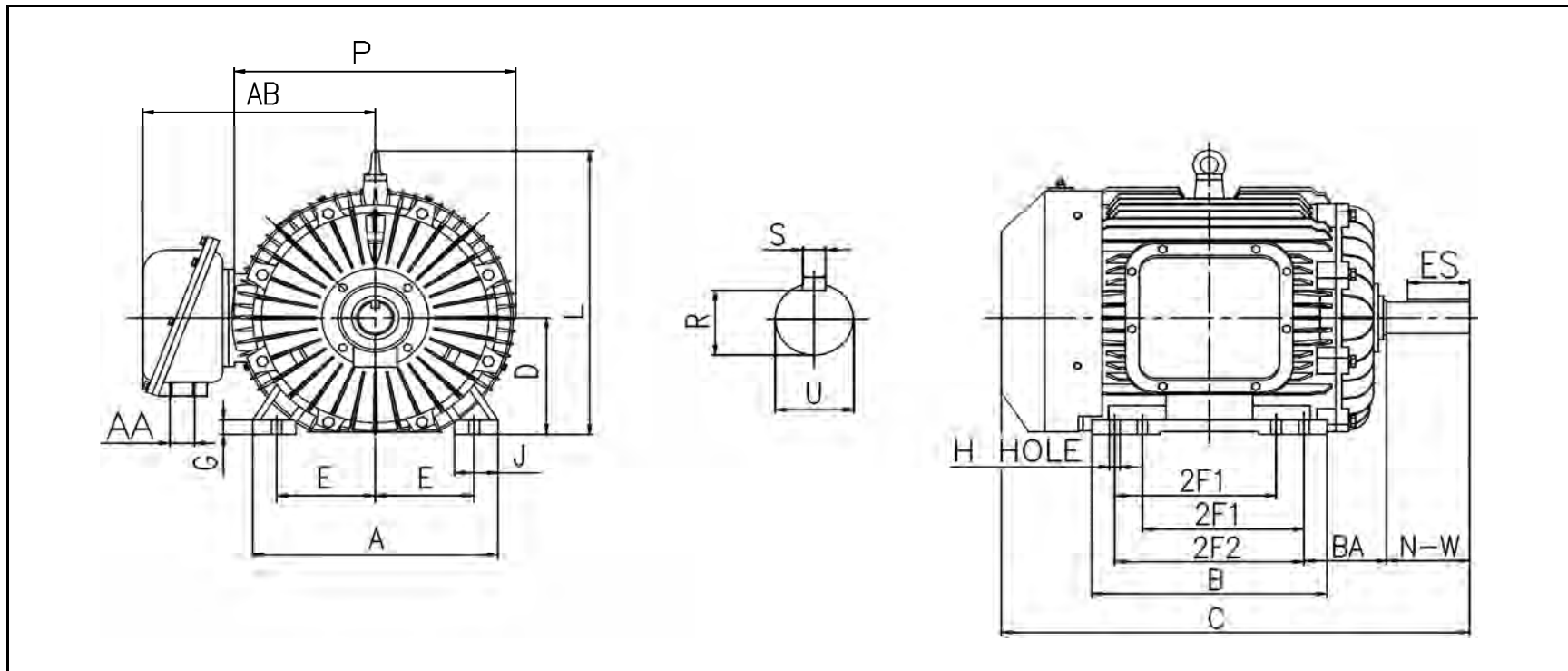
|                                  |  |             |             |
|----------------------------------|--|-------------|-------------|
| HORSEPOWER                       | 50   |             |             |
| RPM / POLES                      | 1200 / 6                                       |             |             |
| VOLTAGE / PHASE                  | 230 / 460 V / 3                                |             |             |
| FRAME                            | 365T   |             |             |
| ENCLOSURE / DEGREE OF PROTECTION | TEFC / IP55                                    |             |             |
| FREQUENCY                        | 60 HZ Suitable For 50 HZ Operation With 1.0 SF |             |             |
| FULL LOAD SPEED                  | 1188 RPM                                       |             |             |
| SERVICE FACTOR                   | 1.15 SF  |             |             |
| INSULATION CLASS                 | F  |             |             |
| FULL LOAD AMPS                   | 113 / 56.5 A                                   |             |             |
| LOCKED ROTOR AMPS (STARTING)     | 725 / 362.5 A                                  |             |             |
| NO LOAD CURRENT                  |  |             |             |
| NEMA CODE LETTER                 | G  |             |             |
| EFFICIENCY / POWER FACTOR        | <u>LOAD</u>                                    | <u>EFF.</u> | <u>P.F.</u> |
|                                  | 100%   | 94.1%       | 0.83        |
|                                  | 75%  | 94.3%       | 0.81        |
|                                  | 50%  | 93.9%       | 0.74        |
| DUTY CYCLE                       | S1 / Continuous                                |             |             |
| TORQUE                           | <u>FULL LOAD</u>                               | <u>LRT</u>  | <u>BDT</u>  |
|                                  | 221 lb.ft.                                     | 135%        | 200%        |
|                                  |  |             |             |
| SLIP                             | 1.00%  |             |             |
| NEMA DESIGN                      | B  |             |             |
| MOMENT OF INERTIA                |  |             |             |
| NUMBER OF STARTS (Hot / Cold)    | 1 Hot / 2 Cold (Per Hour)                      |             |             |
| MAX. AMBIENT TEMPERATURE         | 40° C  |             |             |
| MAX. ELEVATION                   | 3300 Ft. Above Sea Level                       |             |             |
| TEMPERATURE RISE (At Full Load)  | 80° C  |             |             |
| DE BEARING                       | 6314   |             |             |
| ODE BEARING                      | 6314   |             |             |
| GREASE TYPE                      | Mobil Polyrex EM                               |             |             |
| MOUNTING                         | F1   |             |             |
| ROTATION                         | Bi-Directional                                 |             |             |
| APPROXIMATE WEIGHT               | 899 lbs.                                       |             |             |
| TEMPERATURE CODE AT 40°C AMBIENT | T3C  |             |             |
| TEMPERATURE CODE AT 55°C AMBIENT | T2C  |             |             |
| AREA CLASSIFICATION              | Class I, Division I, Groups C & D              |             |             |
|                                  | Class II, Division I, Groups F & G             |             |             |
| INVERTER RATING                  | 5:1 CT / 10:1 VT PWM Type                      |             |             |





WORLDWIDE ELECTRIC MOTOR DRAWING

IXPEWWE-365T



| MOUNTING |       |       |      |      | A    | B    | C     | D | G    | J    |
|----------|-------|-------|------|------|------|------|-------|---|------|------|
| E        | 2F1   | 2F2   | H    | BA   | 17.1 | 15.5 | 34.84 | 9 | 0.98 | 2.95 |
| 7        | 11.25 | 12.25 | 0.66 | 5.88 |      |      |       |   |      |      |

|    |      |    |      | KEY  | KEYSEAT | SHAFT |      |       |
|----|------|----|------|------|---------|-------|------|-------|
| L  | P    | AA | AB   | ES   | S       | R     | N-W  | U     |
| 22 | 19.7 | 3  | 17.1 | 4.29 | 0.625   | 2.021 | 5.88 | 2.375 |

ALL DIMENSIONS IN INCHES

REVISED - 09/16/16