

MODEL NUMBER	IXHHI30-36-286TS		
HORSEPOWER	30		
RPM / POLES	3600 / 2		
VOLTAGE / PHASE	230 / 460 V / 3		
FRAME	286TS		
ENCLOSURE / DEGREE OF PROTECTION	TEFC / IP54		
FREQUENCY	60 HZ		
FULL LOAD SPEED	3560 RPM		
SERVICE FACTOR	1.15		
INSULATION CLASS	F Class N Varnish		
FULL LOAD AMPS; 230 / 460	67.7 / 33.8 A Usable On 208 V At 74.9 A		
LOCKED ROTOR CURRENT (% Full Load)	700 / 700 %		
NEMA CODE LETTER	G		
EFFICIENCY / POWER FACTOR	<u>LOAD</u>	<u>EFF.</u>	<u>P.F.</u>
	100 %	91.7 %	89.0 %
	75 %	91.7 %	87.8 %
	50 %	90.0 %	84.5 %
DUTY CYCLE	S1 / Continuous		
TORQUE	<u>FULL LOAD</u>	<u>LRT</u>	<u>BDT</u>
	43.5 lb.ft.	160 %	230 %
NEMA DESIGN	B		
MOMENT OF INERTIA	<u>LOAD (Max.)</u>	<u>MOTOR</u>	
	67.632 lb.ft. <sup>2</sup>	2.089 lb.ft. <sup>2</sup>	
SOUND PRESSURE LEVEL ( No Load 1 M From Motor)	86 dB(A)		
MAX. SHAFT VIBRATION	0.08 In/Sec – Peak Velocity		
NUMBER OF STARTS (Hot / Cold)	2 Hot / 3 Cold		
MAX. ELEVATION	3300 Ft. Above Sea Level		
TEMPERATURE RISE (At Full Load)	80° C		
DRIVE-END BEARING	6310ZC3		
OPPOSITE DRIVE-END BEARING	6310ZC3		
GREASE TYPE	Mobil Polyrex EM		
MOUNTING	F1, W6, W8, B3, V5, V6		
ROTATION	Bi-Directional		
APPROXIMATE WEIGHT	480 lbs.		
AREA CLASSIFICATION	Class I, Division 1, Groups C and D		
TEMPERATURE CODE WITH THERMOSTAT USE	T4		
TEMPERATURE CODE AT 40°C AMBIENT	T2C		
TEMPERATURE CODE AT 55°C AMBIENT	T2B		
THERMOSTAT TYPE	Normally Closed		
INVERTER RATING	4:1 CT (Constant) / 10:1 CT (Intermittent-1 Hour) / 10:1 VT		
INSULATION TYPE	Hyundai Inverter Shield, Meets NEMA MG1 Part 31		
UL CERTIFICATION NUMBER	E216236		



CC 038A





# TEFC

**THREE PHASE INDUCTION MOTOR**

**TYPE**

XLP, XJP

CAST IRON FRAME

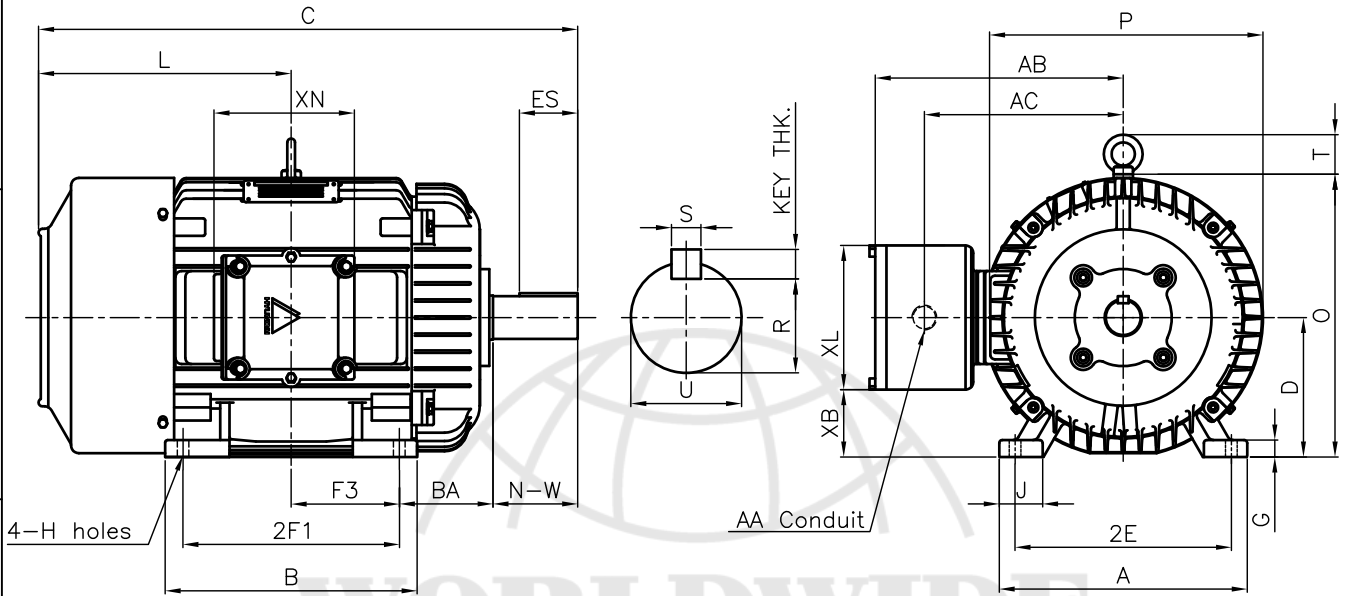
FRAME SIZE

OUTPUT(HP)

POLES

Hz

TIME RATING



## DIMENSIONS

M O U N T I N G									C O N D U I T B O X						APPROX. WGT.(LB)
A	B	2E	2F1	2F2	F3	G	J	H	AA	AB	AC	XB	XL	XN	286TS
12.60	12.68	11.00	11.00	-	5.50	0.78	2.20	0.53	1.50	12.60	10.10	3.94	6.30	7.32	480

O V E R A L L							S H A F T					KEY THK.	B E A R I N G	
BA	C	D	L	O	P	T	U	N-W	KEYWAY				DRIVE END	OPP. DRIVE END
									R	ES	S			
4.75	26.34	7.00	12.84	14.28	14.19	2.01	1.625	3.25	1.416	1.91	0.375	0.375	6310ZC3	6310ZC3

**NOTE**

- 1.Dimension "D" tolerance : +0.00inch - 0.03inch
- 2.Dimension "U" tolerance : +0.000inch - 0.001inch
- 3.Dimension "R" tolerance : +0.000inch - 0.015inch

APPD BY	J. H. KIM	UNIT	INCH	SUBJECT	NEMA 286TS	CAD PROJ \ FILE	XSMOUTN\A1110BA
CHKD BY	K. S. LEE	SCALE	1/10	TITLE	<b>OUTLINE</b>		
CHKD BY		PROJEC'N	3rd Angle				
DSND BY	KIM IN KYU	DATE	2010.12.31	REF. NO	A1110BA	Sheet No.	of
				DWG NO	LM-U1286B3SL001	Revision No.	0