

MODEL NUMBER	IEEE60-18-364TC		
HORSEPOWER	60		
RPM / POLES	1800 / 4		
VOLTAGE / PHASE	460 / 3		
FRAME	364TC		
ENCLOSURE / DEGREE OF PROTECTION	TEFC / IP56		
FREQUENCY	60 HZ		
FULL LOAD SPEED	1780 RPM		
SERVICE FACTOR	1.15		
INSULATION CLASS	F Class N Varnish		
FULL LOAD AMPS; 460	69.9 A		
LOCKED ROTOR CURRENT (% Full Load)	670 %		
NEMA CODE LETTER	G		
EFFICIENCY / POWER FACTOR	<u>LOAD</u>	<u>EFF.</u>	<u>P.F.</u>
	100 %	95.0 %	85.0 %
	75 %	95.1 %	81.9 %
	50 %	93.2 %	74.1 %
DUTY CYCLE	S1 / Continuous		
TORQUE	<u>FULL LOAD</u>	<u>LRT</u>	<u>BDT</u>
	178.1 lb.ft.	150 %	220 %
NEMA DESIGN	B		
MOMENT OF INERTIA	<u>LOAD (Max.)</u>	<u>MOTOR</u>	
	616.991 lb.ft. ²	17.640 lb.ft. ²	
SOUND PRESSURE LEVEL (No Load 1 M From Motor)	82 dB(A)		
MAX. SHAFT VIBRATION	0.08 In/Sec – Peak Velocity		
NUMBER OF STARTS (Hot / Cold)	2 Hot / 3 Cold		
MAX. AMBIENT TEMPERATURE	40° C		
MAX. ELEVATION	3300 Ft. Above Sea Level		
TEMPERATURE RISE (At Full Load)	80° C		
DRIVE-END BEARING	6314C3		
OPPOSITE DRIVE-END BEARING	6213C3		
BEARING SEAL TYPE	ProTech™ IP66 Labyrinth On DE and ODE		
GREASE TYPE	Mobil Polyrex EM		
MOUNTING	F1 (F2 Suitable), W6, W8, B3, V5, V6		
ROTATION	Bi-Directional		
APPROXIMATE WEIGHT	780 lbs		
AREA CLASSIFICATION	Class I, Division 2, Groups A, B, C, D, T3A		
PAINT	Epoxy		
INVERTER RATING	10:1 CT / 1000:1 VT		
INSULATION TYPE	Hyundai Inverter Shield, Meets NEMA MG1 Part 31		
SPECIFICATION - In Accordance With	IEEE-841, Version 2009, NEMA, CSA		




CC 038A

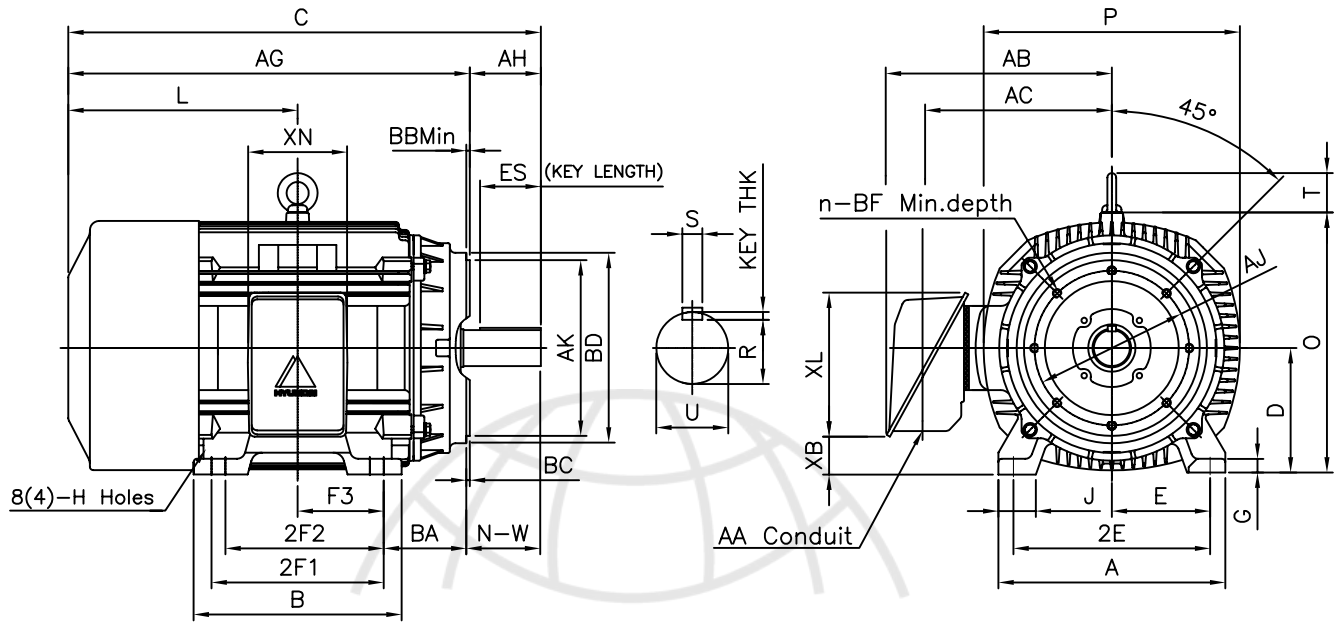


본 도면은 현대중공업(주) 재산이므로
허가없이 복사할 수 없음 (취급유의)

THIS DRAWING IS PROPRIETARY TO HHI. NO PART OF THIS DRAWING
MAYBE REPRODUCED WITHOUT THE PERMISSION OF HHI.

	<h1 style="margin:0;">IEEE841 TEFC</h1> <h2 style="margin:0;">THREE PHASE INDUCTION MOTOR</h2>	<h3 style="margin:0;">TYPE</h3>	PLP Cast iron frame
-----------------------------------------------------------------------------------	------------------------------------------------------------------------------------------------	---------------------------------	------------------------

FRAME SIZE	OUTPUT(HP)	POLES	Hz	TIME RATING
364TC			60	CONT



DIMENSIONS

M O U N T I N G									C O N D U I T B O X					APPROX. WGT.(LB)	
A	B	2E	2F1	2F2	F3	G	J	H	AA	AB	AC	XB	XL		XN
16.14	14.92	14.00	(12.25)	11.25	6.122	0.98	2.72	0.66	3.00	17.13	13.82	2.70	10.24	7.09	780

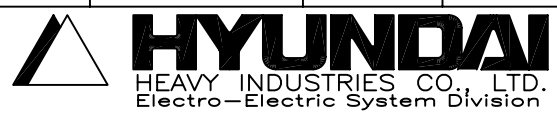
O V E R A L L								S H A F T					KEY THK.	B E A R I N G	
BA	C	D	L	O	P	T	AG	U	N-W	KEYWAY				DRIVE END	OPP. DRIVE END
										R	ES	S			
5.88	35.20	9.00	17.32	18.50	17.75	2.80	28.13	2.375	5.88	2.021	4.28	0.625	0.625	6314C3	6213C3

C - F A C E								
AJ	AK	BB Min	BC	BD	BF	BF depth	n	AH
11.00	12.50	0.25	0.25	13.38	5/8-11	0.94	8	5.62

NOTE

- 1.Dimension "D" tolerance : +0.00inch ~ -0.03inch (143TC-365TC) : +0.000inch ~ -0.06inch (404TC-449TC)
- 2.Dimension "U" tolerance : +0.000inch ~ -0.0005inch (143TC-215TC): +0.000inch ~ -0.001inch (254TC-449TC)
- 3.Dimension "R" tolerance : +0.000inch ~ - 0.015inch
- 4.Dimension "AK" tolerance : +0.000inch ~ -0.003inch (143TC-286TC): +0.000inch ~ -0.005inch (324TC-449TC)

APPD BY	K.J.KANG	UNIT	INCH	SUBJECT	364TC	CAD PROJ \ FILE	MMSTDMTR\A8313AA
CHKD BY	O.J.KIM	SCALE	N/S			TITLE	OUTLINE
CHKD BY	N.D.LEE	PROJEC'N	3rd Angle				
DSND BY	A.L.SHIN	DATE	2011.04.01				



REF. NO	A8313AA	Sheet No.	of
DWG NO	350A8313AA	Revision No.	0



PERFORMANCE CURVE

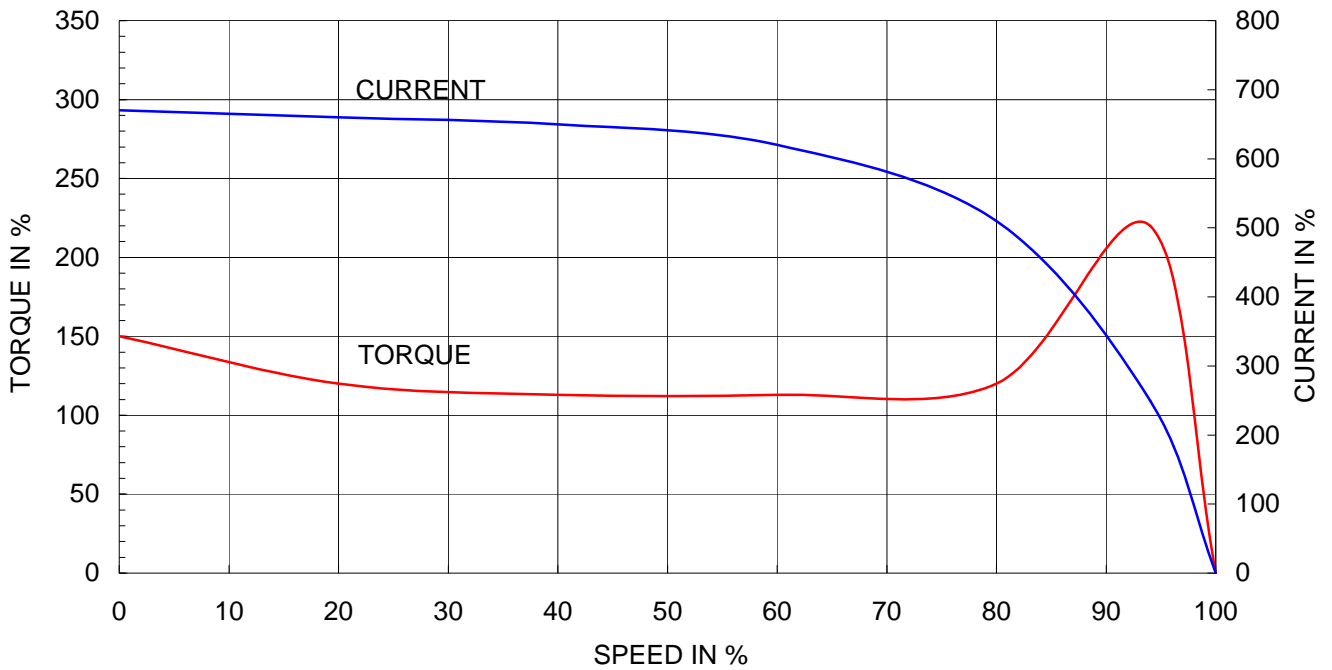
CURVE NO.

P-PLP364SR04

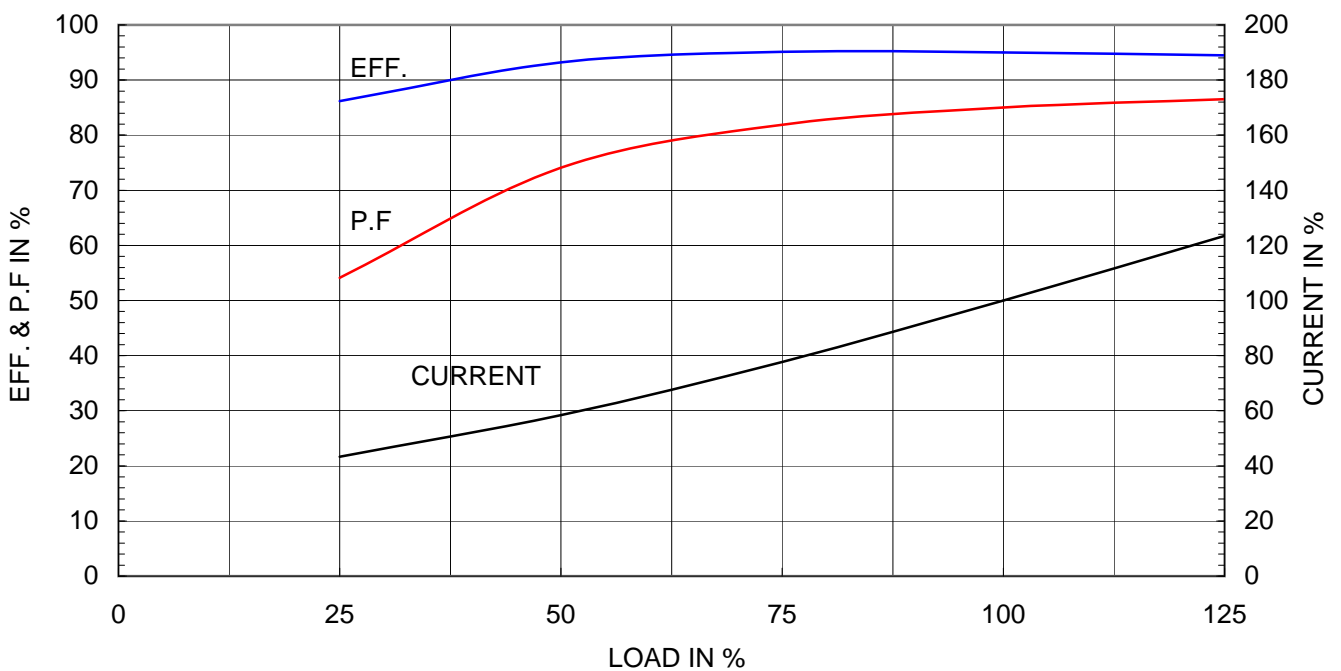
Type	: PLP
Full Load Torque	: 178.1 lb.ft
Motor moment of Inertia (J)	: 17.640 lb.ft ²
Load moment of Inertia (J)	: 616.991 lb.ft ²

45 kW	60 HP	60 Hz	
4 P	Rated Speed	: 1780 RPM	
Rated Voltage	575V	460V	230V
Full Load Current	56.0A	69.9A	139.9A

SPEED VS TORQUE & CURRENT CURVE



OUTPUT VS EFF., P.F & CURRENT CURVE



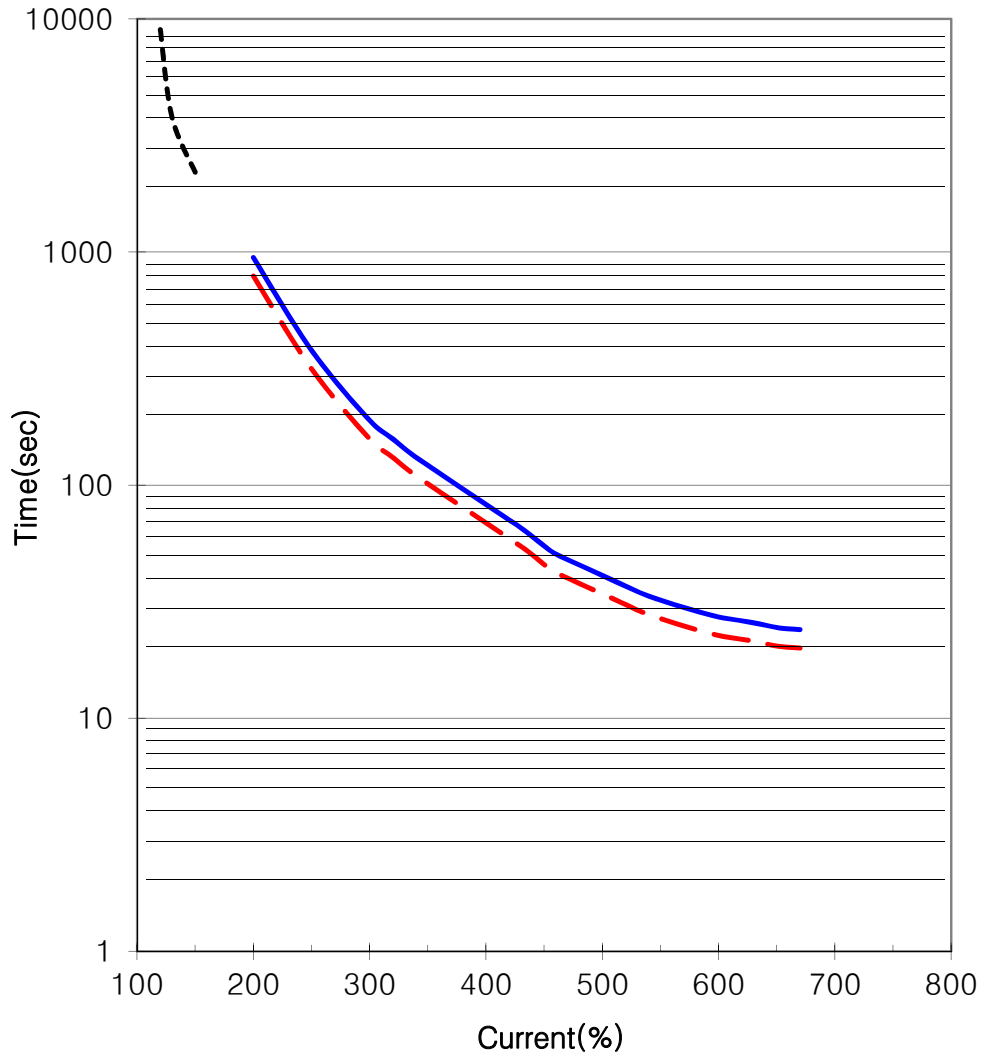


THERMAL LIMIT & TIME CURRENT CURVE

CURVE NO.

T-PLP60-18-364T

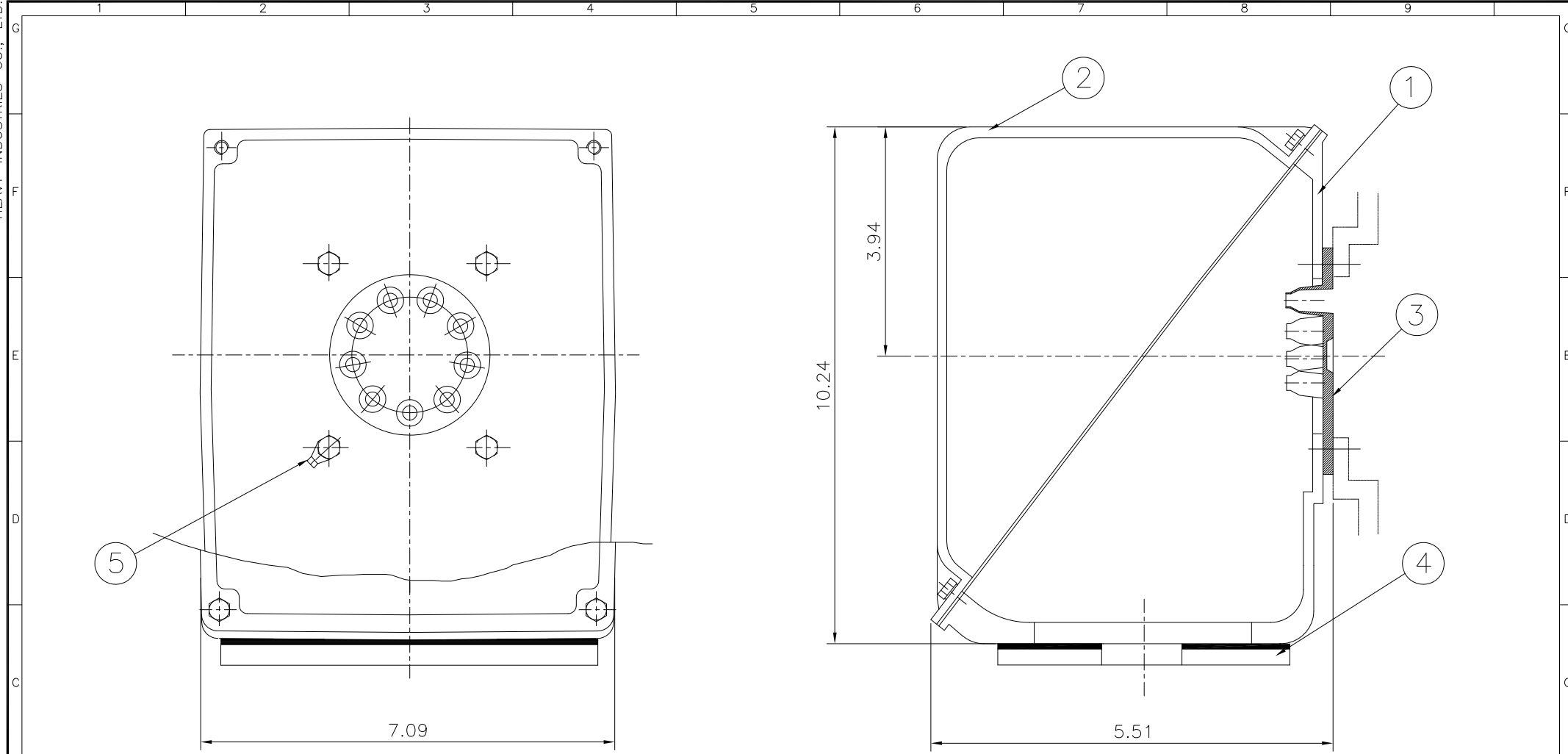
Type :	PLP60-18-364T		60	HP	4	P	60	Hz
FULL LOAD TORQUE :	178.1	lb.ft	RATED SPEED :		1780 rpm			
J OF LOAD :	-	lb.ft ²	VOLTAGE		460 V	575 V		
J OF MOTOR :	17.6	lb.ft ²	RATED CURRENT		69.9A	56.0A		



— THERMAL LIMIT CURVE AT COLD CONDITION
- - THERMAL LIMIT CURVE AT HOT CONDITION

STARTING TIME	SAFE STALL TIME
- at rated voltage starting	20 sec. at Hot condition
- at 80% of rated voltage starting	24 sec. at Cold condition

THIS DRAWING IS PROPRIETARY TO HHI. NO PART OF THIS DRAWING MAYBE REPRODUCED WITHOUT THE PERMISSION OF HHI.



▽	50S
▽▽	12.5S
▽▽▽	3.2S
▽▽▽▽	0.4S

REV	DATE	CONTENTS	REVD BY	CHKD BY	CHKD BY	APPD BY
1						

일반기준공차		일반재관공차	
1-4	±0.1	6-30	±0.5
4-18	±0.2	30-120	±0.8
18-63	±0.3	120-315	±1.2
63-250	±0.5	315-1000	±2.0
250-	±0.8	1000-	±3.0

1	EARTH TERMINAL LUG						5
1	CABLE ENTRY PLATE						4
1	GASKET	NBR					3
1	TERMINAL BOX COVER	CAST IRON					2
1	TERMINAL BOX BODY	CAST IRON					1
Q'TY	DESCRIPTION	MATERIAL	DIMENSION	WEIGHT	PART NO.	REMARK	NO.
APPD BY	KANG KYEONG JUNG	UNIT	INCH	SUBJECT		NEMA 360	DWG SIZE
CHKD BY	KIM JIN HONG	SCALE	Non Scale				A3 (1:1)
CHKD BY	KIM OK JIN	PROJEC'N	3각법 (3rd Angle)	TITLE			
DSND BY	KIM RYANG GYU	DATE	2011-10-21	Main Terminal Box Assembly			
REF. NO		Sheet No.	of				
DWG NO	3M-016881	Revision No.	0				