

MODEL NUMBER	IEEE200-18-447T		
HORSEPOWER	200		
RPM / POLES	1800 / 4		
VOLTAGE / PHASE	460 / 3		
FRAME	447T		
ENCLOSURE / DEGREE OF PROTECTION	TEFC / IP56		
FREQUENCY	60 HZ		
FULL LOAD SPEED	1785 RPM		
SERVICE FACTOR	1.15		
INSULATION CLASS	F Class N Varnish		
FULL LOAD AMPS; 460	222.4 A		
LOCKED ROTOR CURRENT (% Full Load)	700 %		
NEMA CODE LETTER	G		
EFFICIENCY / POWER FACTOR	<u>LOAD</u>	<u>EFF.</u>	<u>P.F.</u>
	100 %	96.2 %	88.0 %
	75 %	96.3 %	86.2 %
	50 %	95.4 %	80.6 %
DUTY CYCLE	S1 / Continuous		
TORQUE	<u>FULL LOAD</u>	<u>LRT</u>	<u>BDT</u>
	592.0 lb.ft	140 %	220 %
NEMA DESIGN	B		
MOMENT OF INERTIA	<u>LOAD (Max.)</u>	<u>MOTOR</u>	
	2307.790 lb.ft ²	73.030 lb.ft ²	
SOUND PRESSURE LEVEL (No Load 1 M From Motor)	82 dB(A)		
MAX. SHAFT VIBRATION	0.08 In/Sec – Peak Velocity		
NUMBER OF STARTS (Hot / Cold)	2 Hot / 3 Cold		
MAX. AMBIENT TEMPERATURE	40° C		
MAX. ELEVATION	3300 Ft. Above Sea Level		
TEMPERATURE RISE (At Full Load)	80° C		
DRIVE-END BEARING	NU318		
OPPOSITE DRIVE-END BEARING	6316C3		
BEARING SEAL TYPE	ProTech™ IP66 Labyrinth On DE and ODE		
GREASE TYPE	Mobil Polyrex EM		
MOUNTING	F1 (F2 Suitable), W6, W8, B3, V5, V6		
ROTATION	Bi-Directional		
APPROXIMATE WEIGHT	1860 lbs		
AREA CLASSIFICATION	Class I, Division 2, Groups A, B, C, D, T3A		
PAINT	Epoxy		
INVERTER RATING	10:1 CT / 1000:1 VT		
INSULATION TYPE	Hyundai Inverter Shield, Meets NEMA MG1 Part 31		
SPECIFICATION - In Accordance With	IEEE-841, Version 2009, NEMA, CSA		



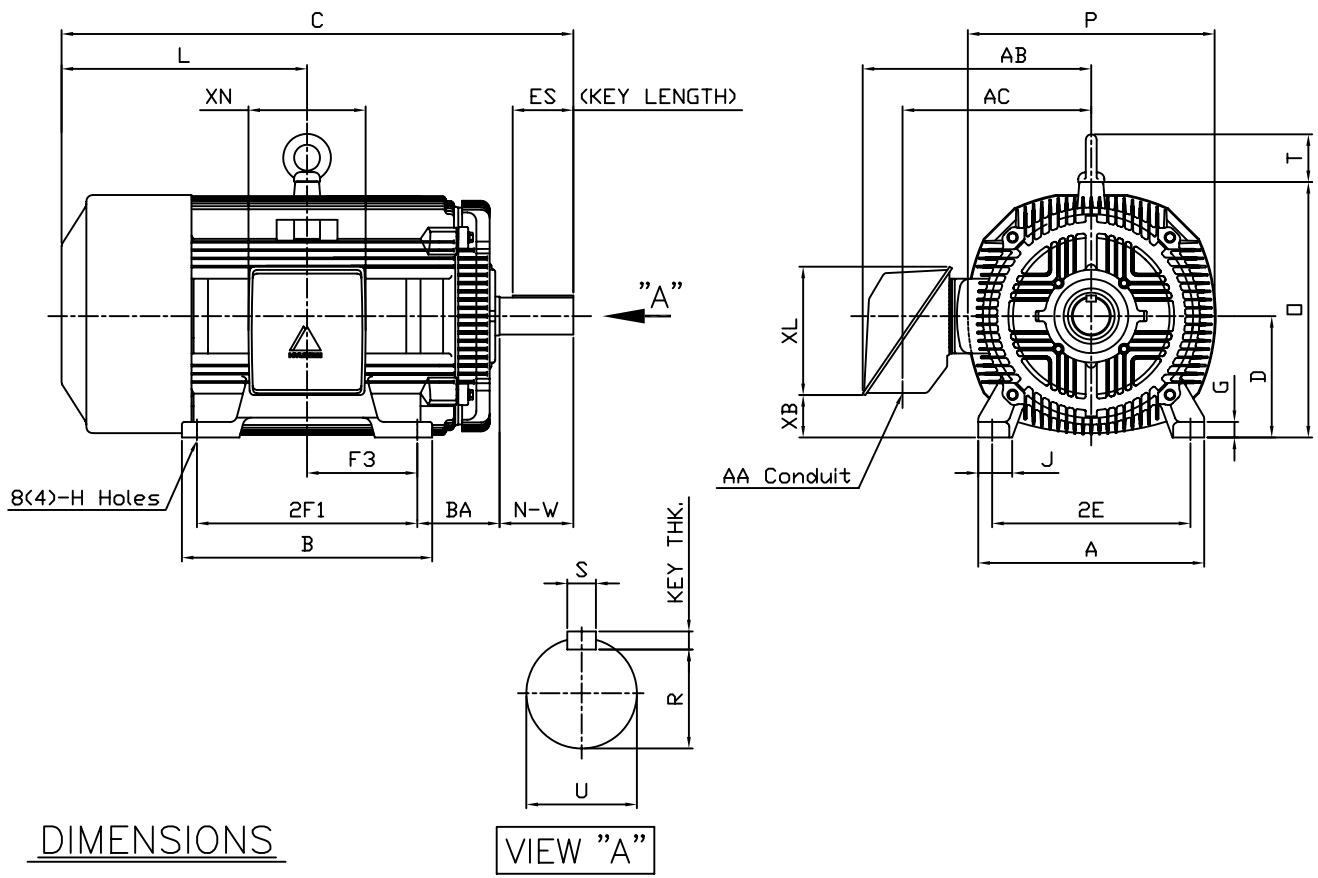
CC 038A



본 도면은 현대중공업(주) 재산이므로
허가없이 복사할 수 없음 (취급주의)

THIS DRAWING IS PROPRIETARY TO HEECO. NO PART OF THIS DRAWING
MAYBE REPRODUCED WITHOUT THE PERMISSION OF HHI.

		IEEE841 TEFC THREE PHASE INDUCTION MOTOR		TYPE PLP Cast iron frame
FRAME SIZE	OUTPUT(HP)	POLES	Hz	TIME RATING
447T			60	CONT



DIMENSIONS

VIEW "A"

M O U N T I N G									C O N D U I T B O X					APPROX. WGT.(LB)	
A	B	2E	2F1	2F2	F3	G	J	H	AA	AB	AC	XB	XL		XN
20.51	22.72	18.00	20.00	-	10.00	1.42	3.07	0.81	3.00	23.78	20.70	3.14	16.30	13.78	1860

O V E R A L L							S H A F T			KEY	B E A R I N G			
BA	C	D	L	O	P	T	U	N-W	KEYWAY			THK.	DRIVE END	OPP. DRIVE END
									R	ES	S			
7.50	50.29	11.00	24.30	23.19	22.40	4.33	3.375	8.50	2.880	6.93	0.875	0.875	6318C3	6316C3

NOTE

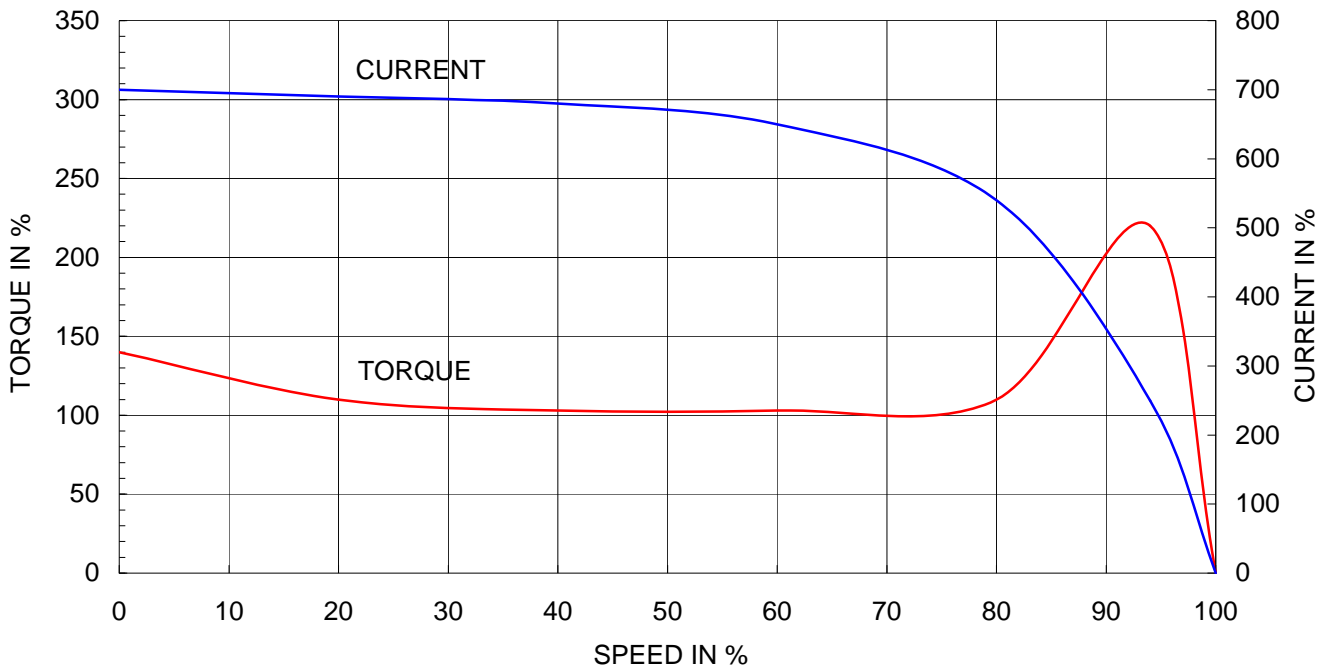
1. Dimension "D" tolerance : +0.00inch - 0.03inch (143T-365T) ; +0.000inch - 0.06inch (404T-449T)
2. Dimension "U" tolerance : +0.000inch - 0.005inch (143T-215T), +0.000inch - 0.001inch (254T-449T)
3. Dimension "R" tolerance : +0.000inch - 0.015inch

Q'TY	DESCRIPTION	MATERIAL	DIMENSION	WEIGHT	PART NO.	REMARK	NO.
APPD BY	K.J.KANG	UNIT	INCH	SUBJECT	447T	CAD PROJ \ FILE	MMSTDMTR\A8119AA
Q.P CHK	O.J.KIM	SCALE	N/S				
CHKD BY	N.D.LEE	PROJEC'N	3 각법(3rd Angle)	TITLE OUTLINE			
DSND BY	A.L.SHIN	DATE	2011.03.31				
				REF. NO	A8119AA	Sheet No. of	
				DWG NO	350A8119AA	Revision No. 0	

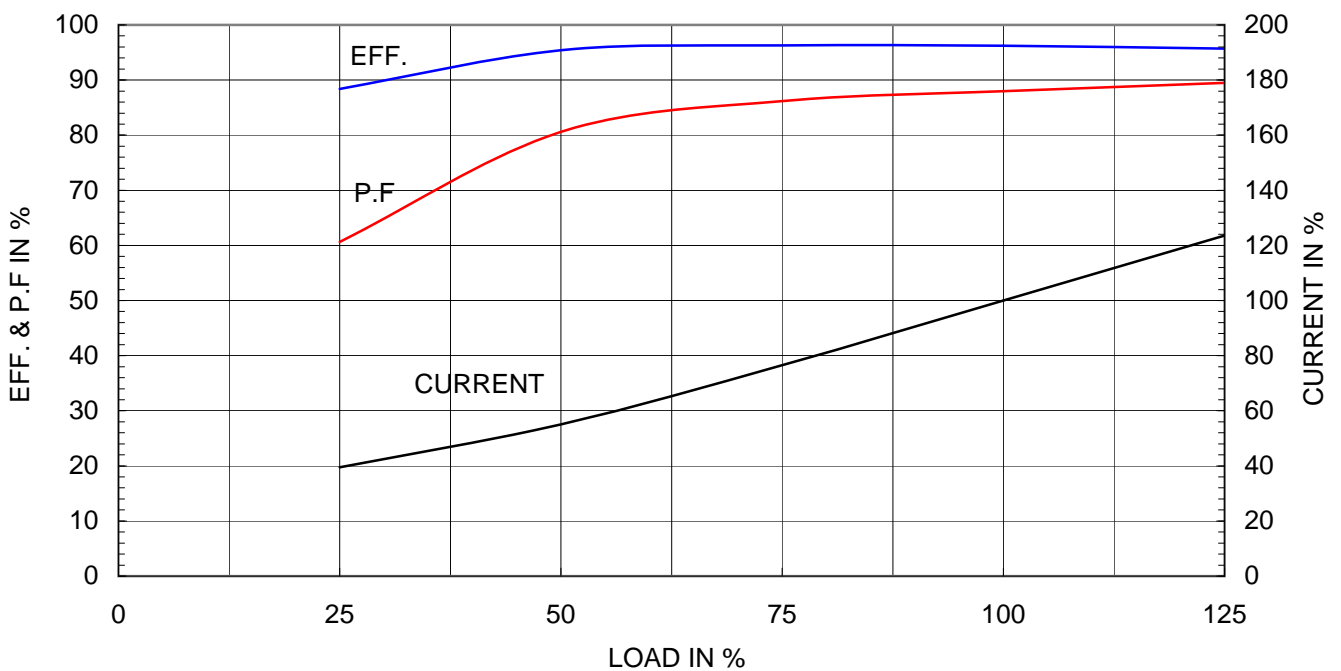
Type	: PLP
Full Load Torque	: 592.0 lb.ft
Motor moment of Inertia (J)	: 73.030 lb.ft ²
Load moment of Inertia (J)	: 2307.790 lb.ft ²

150 kW	200 HP	60 Hz	
4 P	Rated Speed	: 1785 RPM	
Rated Voltage	575V	460V	230V
Full Load Current	177.9A	222.4A	444.8A

SPEED VS TORQUE & CURRENT CURVE



OUTPUT VS EFF., P.F & CURRENT CURVE

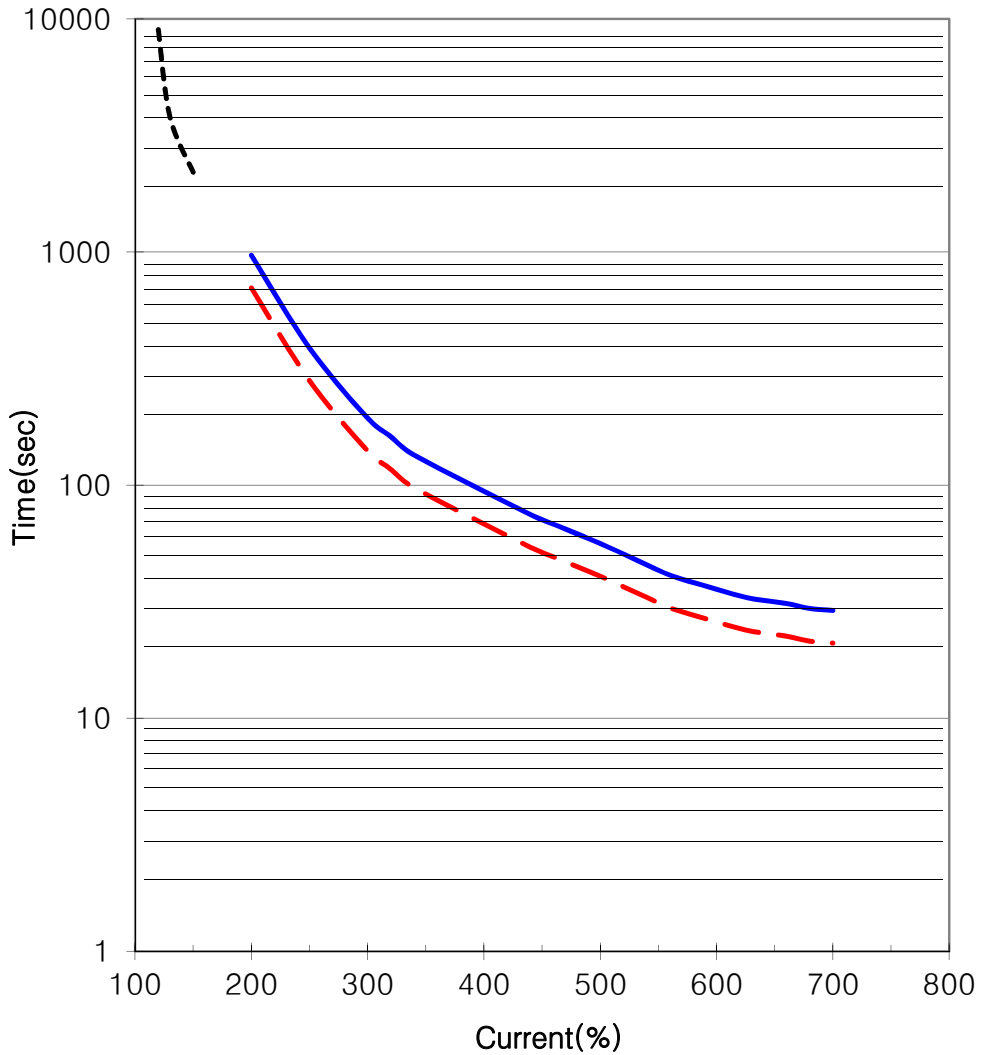




THERMAL LIMIT & TIME CURRENT CURVE

CURVE NO.
T-PLP200-18-447T

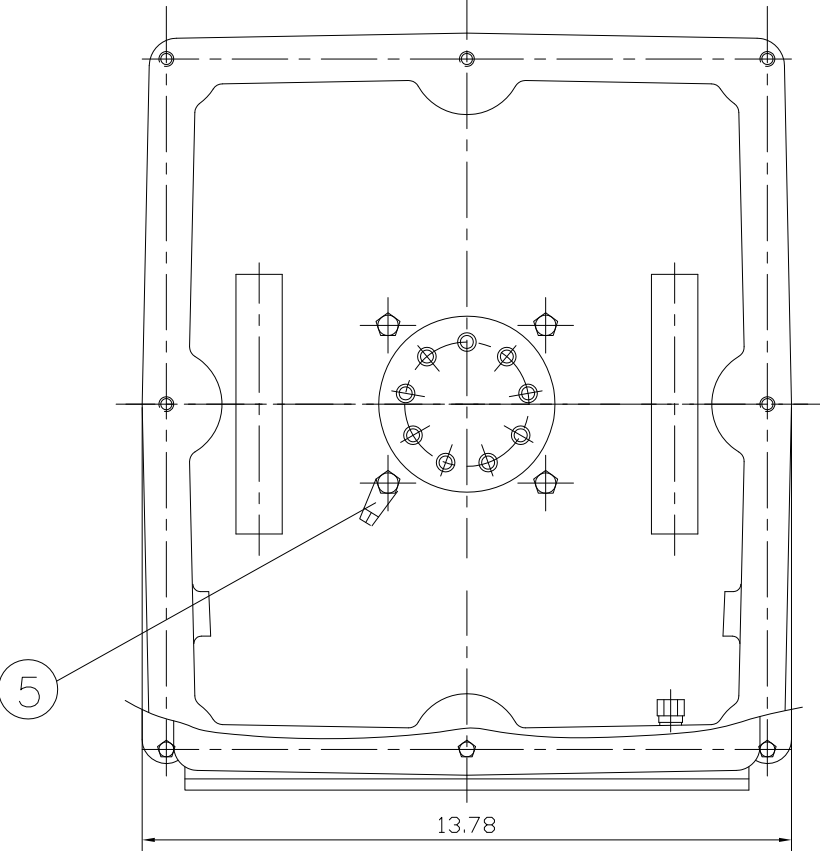
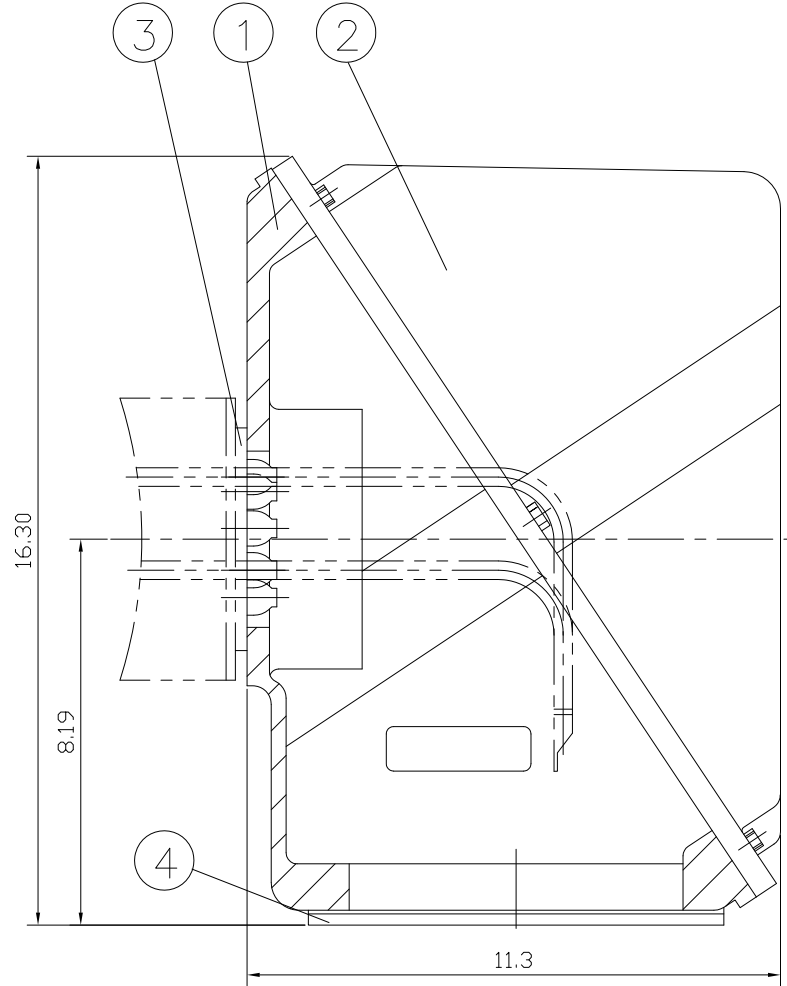
Type :	PLP200-18-447T		200	HP	4	P	60	Hz
FULL LOAD TORQUE :	592.0	lb.ft	RATED SPEED :		1785 rpm			
J OF LOAD :	-	lb.ft²	VOLTAGE		460 V	575 V		
J OF MOTOR :	73.0	lb.ft²	RATED CURRENT		222.4A	177.9A		



— THERMAL LIMIT CURVE AT COLD CONDITION
- - THERMAL LIMIT CURVE AT HOT CONDITION

STARTING TIME	SAFE STALL TIME
- at rated voltage starting	21 sec. at Hot condition
- at 80% of rated voltage starting	29 sec. at Cold condition

THIS DRAWING IS PROPRIETARY TO HEECO. NO PART OF THIS DRAWING MAYBE REPRODUCED WITHOUT THE PERMISSION OF HHI.



REV	DATE	CONTENTS	REVD BY	CHKD BY	CHKD BY	APPD BY
1		2	3			4

일반가공공차		일반재관공차	
1-4	±0.1	6-30	±0.5
4-18	±0.2	30-120	±0.8
18-63	±0.3	120-315	±1.2
63-250	±0.5	315-1000	±2.0
250-	±0.8	1000-	±3.0

1	EARTH TERMINAL LUG						5
1	CABLE ENTRY PLATE						4
1	GASKET	NBR					3
1	TERMINAL BOX COVER	CAST IRON					2
1	TERMINAL BOX BODY	CAST IRON					1
Q'TY	DESCRIPTION	MATERIAL	DIMENSION	WEIGHT	PART NO.	REMARK	NO.

APPD BY	KANG KYOUNG JUNG	UNIT	INCH	SUBJECT	NEMA 440	CAD PROJ \ FILE
CHKD BY	KIM OK JIN	SCALE	1/3	S/T-BOX-M/3r038513		
DSND BY		PROJEC'N	3rd Angle	TITLE		
TRCD BY	KIM JONG SEON	DATE	99.04.28	Main Terminal Box Assembly		



REF. NO		Sheet No.	of
DWG NO	3M-038513	Revision No.	0