

MODEL NUMBER	HSDE500-18-5010BB-IB		
HORSEPOWER	500		
RPM / POLES	1800 / 4		
VOLTAGE / PHASE	460 V / 3		
FRAME	5010		
ENCLOSURE / DEGREE OF PROTECTION	TEFC / IP55		
FREQUENCY	60 HZ		
FULL LOAD SPEED	1785 RPM		
SERVICE FACTOR	1.15		
INSULATION CLASS	F Class N Varnish		
FULL LOAD AMPS	549.7 A		
LOCKED ROTOR CURRENT	3985 A		
NEMA CODE LETTER	H		
EFFICIENCY / POWER FACTOR	<u>LOAD</u>	<u>EFF.</u>	<u>P.F.</u>
	100 %	96.2 %	89.0 %
	75 %	95.8 %	87.3 %
	50 %	94.8 %	82.5 %
DUTY CYCLE	S1 / Continuous		
TORQUE	<u>FULL LOAD</u>	<u>LRT</u>	<u>BDT</u>
	1480.1 lb.ft.	135 %	230 %
NEMA DESIGN	A		
MOMENT OF INERTIA	<u>LOAD (Max.)</u>	<u>MOTOR</u>	
	1880 lb.ft. ²	176.3 lb.ft. ²	
SOUND PRESSURE LEVEL (No Load 1 M From Motor)	85 dB(A)		
NUMBER OF STARTS (Hot / Cold)	1 Hot / 2 Cold		
MAX. AMBIENT TEMPERATURE	40° C		
MAX. ELEVATION	3300 Ft. Above Sea Level		
TEMPERATURE RISE (At Full Load)	80° C		
DRIVE-END BEARING	6324C3		
OPPOSITE DRIVE-END BEARING	6320C3-INSULATION		
GREASE TYPE	Mobil Polyrex EM		
MOUNTING	F1		
ROTATION	Bi-Directional		
APPROXIMATE WEIGHT	4760 lbs.		
AREA CLASSIFICATION	Class I, Division 2, Groups A, B, C, D		
TEMPERATURE CODE	T3 Up To 45°C		
INVERTER RATING	10:1 VT at Full Load / 20:1 VT at 50% Load 4:1 CT at Full Load / 10:1 CT for 1 Hour Cycle		
SPECIFICATION - In Accordance With	NEMA, CSA		



CC038A

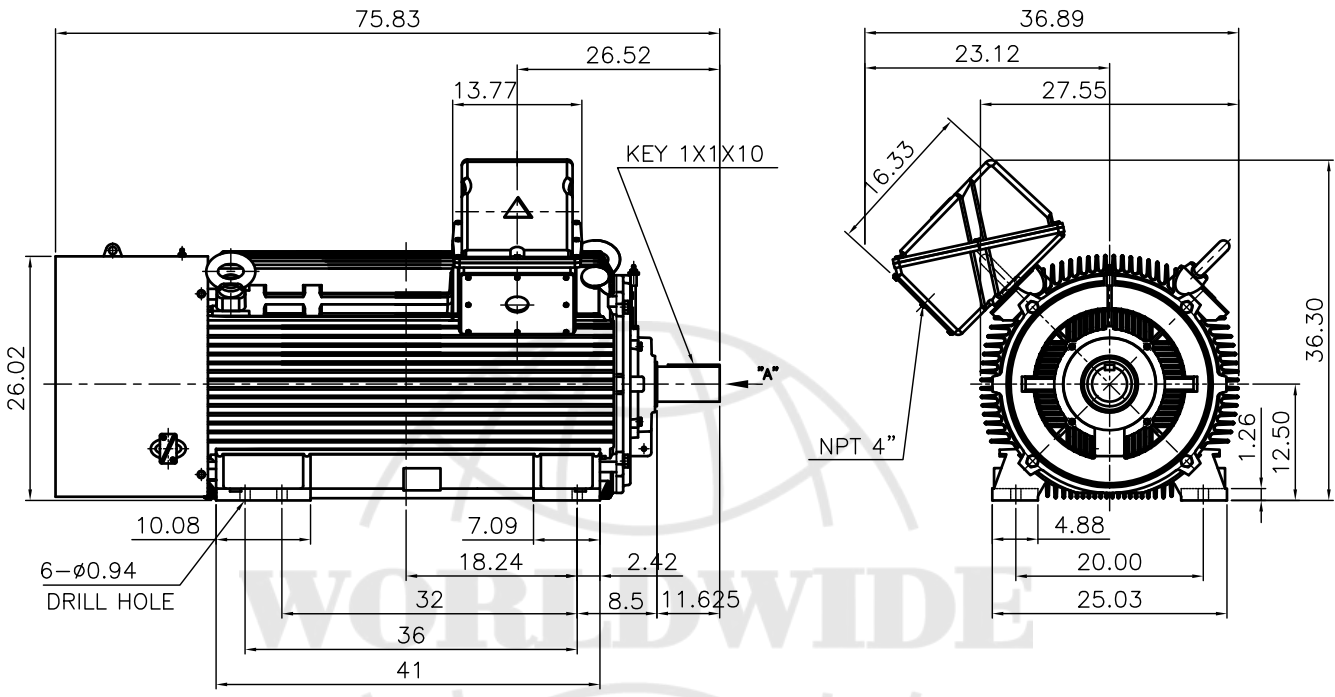




TEFC
THREE PHASE INDUCTION MOTOR

TYPE

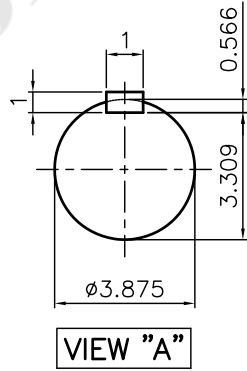
(1)
L,J,LP,JP
CAST IRON FRAME



NOTE

1.TOLERANCE :

CENTER HEIGHT	12.5	+0.000	-0.060
SHAFT DIAMETER	ø3.875	+0.000	-0.001
KEYWAY WIDTH	1	+0.003	-0.000



TEFC STANDARD

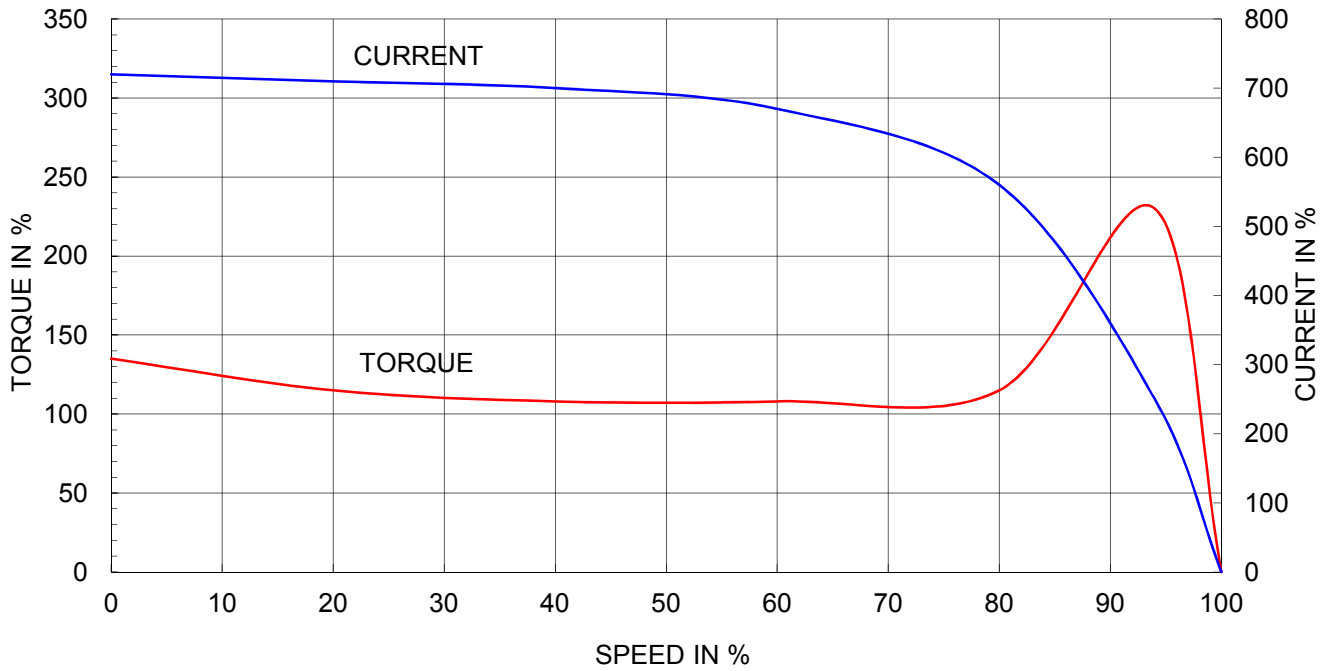
Q'TY	DESCRIPTION	MATERIAL	DIMENSION	WEIGHT	PART NO.	REMARK	NO.
APPD BY	강경중	UNIT	mm	SUBJECT	XL SERIES Fr.5010/5011-4~20P	DWG SIZE	A4 (1:21)
CHKD BY	김진홍	SCALE	1/21	TITLE	CAST IRON T-BOX		
CHKD BY	김옥진	PROJEC'N	3각법 (3rd Angle)	Outline			
DSND BY	김양규	DATE	2013-01-05				



REF. NO	Sheet No.	of
DWG NO	LM-T0511B3PL001	Revision No. 2

Type :	PJP	
Full Load Torque :	1480.1	lb.ft
Motor moment of Inertia (J) :	176.3	lb.ft ²
Load moment of Inertia (J) :	1880.0	lb.ft ²

	375 kW	500 HP	60 Hz
	4 P	Rated Speed :	1785 RPM
Rated Voltage	575V	460V	230V
Full Load Current	439.8A	549.7A	1099.4A

SPEED VS TORQUE & CURRENT CURVE

OUTPUT VS EFF., P.F & CURRENT CURVE
