

MODEL NUMBER	HSDE400-12-5010-IB		
HORSEPOWER	400		
RPM / POLES	1200 / 6		
VOLTAGE / PHASE	460 V / 3		
FRAME	5010		
ENCLOSURE / DEGREE OF PROTECTION	TEFC / IP55		
FREQUENCY	60 HZ		
FULL LOAD SPEED	1185 RPM		
SERVICE FACTOR	1.15		
INSULATION CLASS	F Class N Varnish		
FULL LOAD AMPS	467.9 A		
LOCKED ROTOR CURRENT	3181.7 A		
NEMA CODE LETTER	H		
EFFICIENCY / POWER FACTOR	<u>LOAD</u>	<u>EFF.</u>	<u>P.F.</u>
	100 %	95.8 %	84.0 %
	75 %	95.1 %	80.5 %
	50 %	94.6 %	71.0 %
DUTY CYCLE	S1 / Continuous		
TORQUE	<u>FULL LOAD</u>	<u>LRT</u>	<u>BDT</u>
	1783.6 lb.ft.	135 %	220 %
NEMA DESIGN	A		
MOMENT OF INERTIA	<u>LOAD (Max.)</u>	<u>MOTOR</u>	
	4199 lb.ft. ²	254.41 lb.ft. ²	
SOUND PRESSURE LEVEL (No Load 1 M From Motor)	84 dB(A)		
NUMBER OF STARTS (Hot / Cold)	1 Hot / 2 Cold		
MAX. AMBIENT TEMPERATURE	40° C		
MAX. ELEVATION	3300 Ft. Above Sea Level		
TEMPERATURE RISE (At Full Load)	80° C		
DRIVE-END BEARING	NU324		
OPPOSITE DRIVE-END BEARING	6320C3		
GREASE TYPE	Mobil Polyrex EM		
MOUNTING	F1		
ROTATION	Bi-Directional		
APPROXIMATE WEIGHT	4760 lbs.		
AREA CLASSIFICATION	Class I, Division 2, Groups A, B, C, D		
TEMPERATURE CODE	T3 Up To 45°C		
INVERTER RATING	10:1 VT at Full Load / 20:1 VT at 50% Load 4:1 CT at Full Load / 10:1 CT for 1 Hour Cycle		
SPECIFICATION - In Accordance With	NEMA, CSA		



CC038A

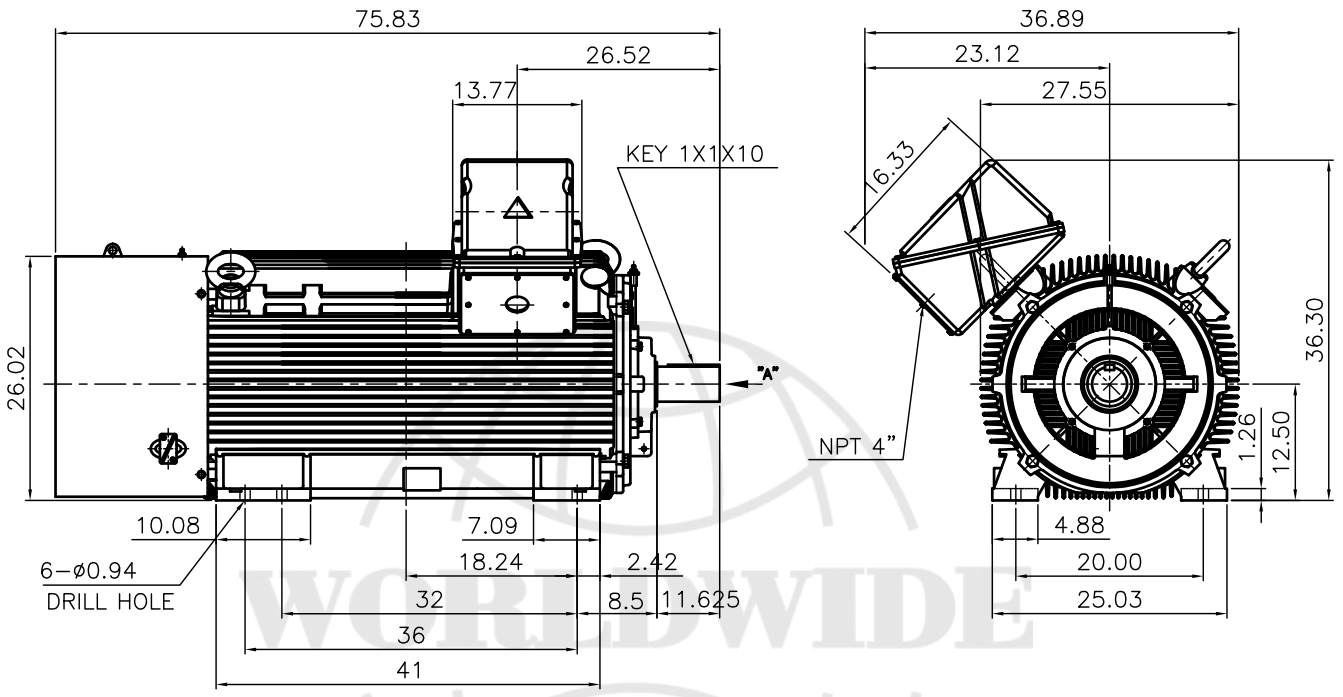




TEFC
THREE PHASE INDUCTION MOTOR

TYPE

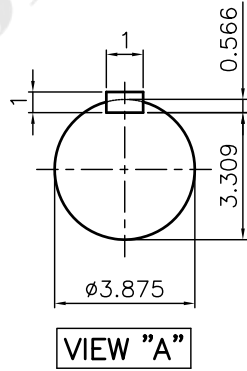
(1)
L,J,LP,JP
CAST IRON FRAME



NOTE

1.TOLERANCE :

CENTER HEIGHT	12.5	+0.000	-0.060
SHAFT DIAMETER	ø3.875	+0.000	-0.001
KEYWAY WIDTH	1	+0.003	-0.000



TEFC STANDARD

Q'TY	DESCRIPTION	MATERIAL	DIMENSION	WEIGHT	PART NO.	REMARK	NO.
APPD BY	강경중	UNIT	mm	SUBJECT	XL SERIES Fr.5010/5011-4~20P	DWG SIZE	A4 (1:21)
CHKD BY	김진홍	SCALE	1/21	TITLE	CAST IRON T-BOX		
CHKD BY	김옥진	PROJEC'N	3각법 (3rd Angle)	Outline			
DSND BY	김양규	DATE	2013-01-05				



REF. NO	Sheet No.	of
DWG NO	LM-T0511B3PL001	Revision No. 2



PERFORMANCE CURVE

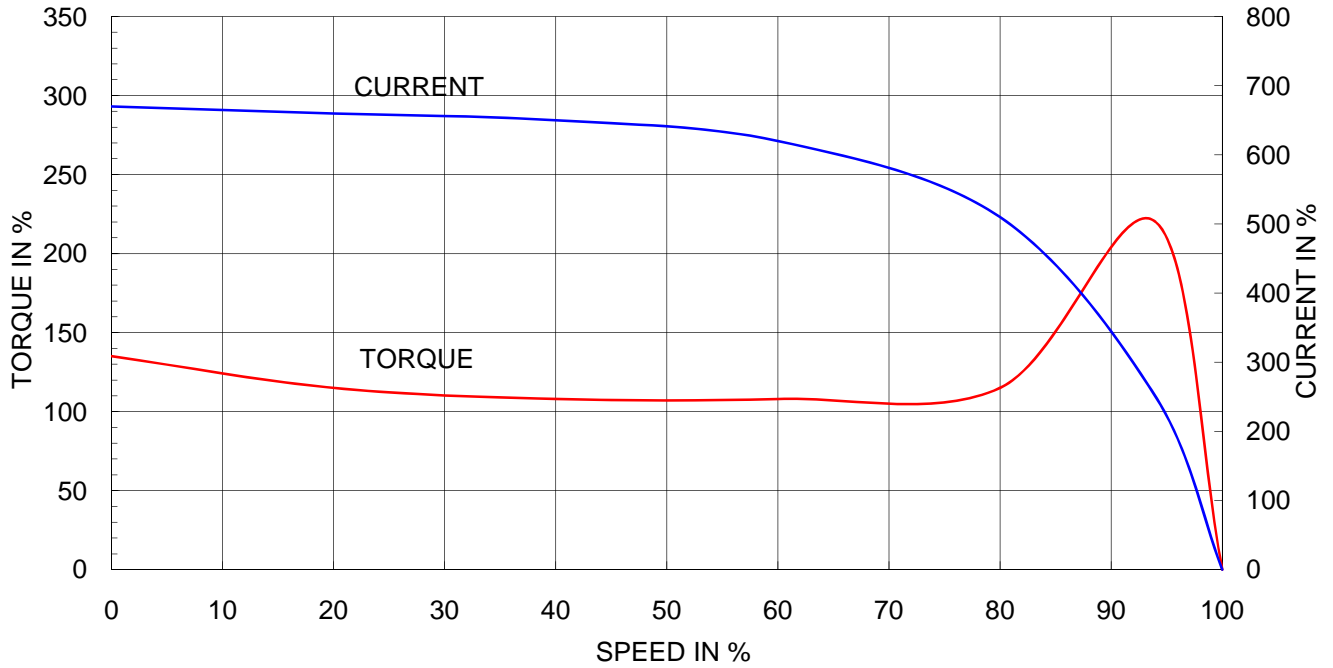
CURVE NO.

P-PJ510SR06

Type	:	PJ
Full Load Torque	:	1783.6 lb.ft
Motor moment of Inertia (J)	:	254.4 lb.ft ²
Load moment of Inertia (J)	:	4199.0 lb.ft ²

300 kW	400 HP	60 Hz	
6 P	Rated Speed :	1185 RPM	
Rated Voltage	575V	460V	230V
Full Load Current	377.5A	471.8A	943.7A

SPEED VS TORQUE & CURRENT CURVE



OUTPUT VS EFF., P.F & CURRENT CURVE

