

MODEL NUMBER	HSDE350-36-L449TS		
HORSEPOWER	350		
RPM / POLES	3600 / 2		
VOLTAGE / PHASE	460 V / 3		
FRAME	L449TS		
ENCLOSURE / DEGREE OF PROTECTION	TEFC / IP55		
FREQUENCY	60 HZ		
FULL LOAD SPEED	3570 RPM		
SERVICE FACTOR	1.15		
INSULATION CLASS	F Class N Varnish		
FULL LOAD AMPS	378.5 A		
LOCKED ROTOR CURRENT	2649.5 A		
NEMA CODE LETTER	G		
EFFICIENCY / POWER FACTOR	<u>LOAD</u>	<u>EFF.</u>	<u>P.F.</u>
	100 %	95.8 %	90.0 %
	75 %	95.4 %	88.0 %
	50 %	95.2 %	83.0 %
DUTY CYCLE	S1 / Continuous		
TORQUE	<u>FULL LOAD</u>	<u>LRT</u>	<u>BDT</u>
	513.1 lb.ft.	130 %	225 %
NEMA DESIGN	B		
MOMENT OF INERTIA	<u>LOAD (Max.)</u>	<u>MOTOR</u>	
	281 lb.ft. ²	50.55 lb.ft. ²	
SOUND PRESSURE LEVEL (No Load 1 M From Motor)	87 dB(A)		
NUMBER OF STARTS (Hot / Cold)	1 Hot / 2 Cold		
MAX. AMBIENT TEMPERATURE	40° C		
MAX. ELEVATION	3300 Ft. Above Sea Level		
TEMPERATURE RISE (At Full Load)	80° C		
DRIVE-END BEARING	6315C3		
OPPOSITE DRIVE-END BEARING	6315C3		
GREASE TYPE	Mobil Polyrex EM		
MOUNTING	F1		
ROTATION	Uni-directional (CCW viewed from DE)		
APPROXIMATE WEIGHT	3090 lbs.		
AREA CLASSIFICATION	Class I, Division 2, Groups A, B, C, D		
TEMPERATURE CODE	T3 Up To 45°C		
INVERTER RATING	10:1 VT at Full Load / 20:1 VT at 50% Load 4:1 CT at Full Load / 10:1 CT for 1 Hour Cycle		
SPECIFICATION - In Accordance With	NEMA, CSA		

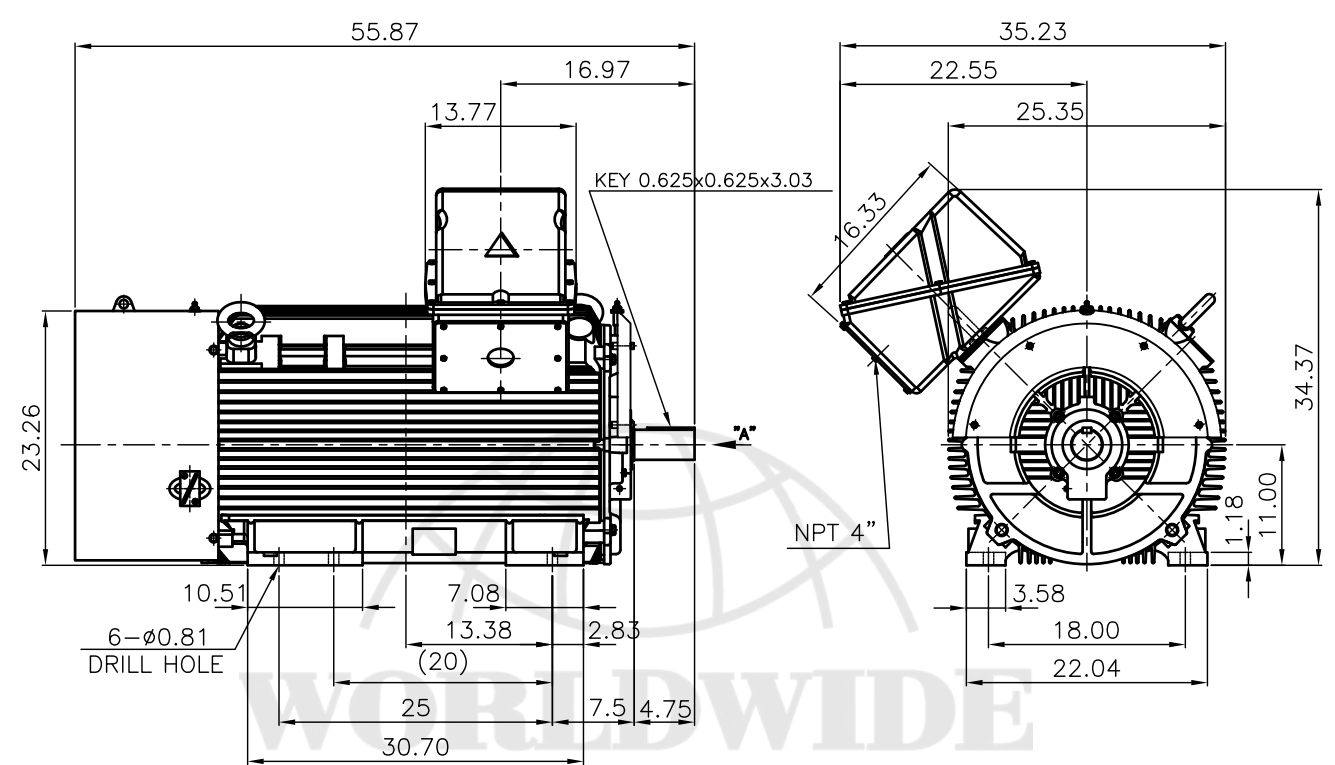


CC038A



THIS DRAWING IS PROPRIETARY TO HHI. NO PART OF THIS DRAWING MAYBE REPRODUCED WITHOUT THE PERMISSION OF HHI.

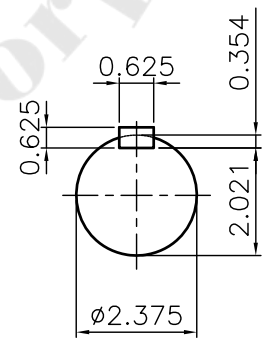
HYUNDAI HEAVY INDUSTRIES CO., LTD.	<h1 style="margin: 0;">TEFC</h1> <h2 style="margin: 0;">THREE PHASE INDUCTION MOTOR</h2>	TYPE	L,J,LP,JP <hr/> CAST IRON FRAME
--	--	-------------	------------------------------------



NOTE

1.TOLERANCE :

CENTER HEIGHT	11	+0.000 -0.060
SHAFT DIAMETER	$\phi 2.375$	+0.000 -0.001
KEYWAY WIDTH	0.625	+0.002 -0.000



VIEW "A"

TEFC STANDARD

Q'TY	DESCRIPTION	MATERIAL	DIMENSION	WEIGHT	PART NO.	REMARK	NO.
APPD BY	강경중	UNIT	mm	SUBJECT	XL SERIES Fr.449TS-2P(44KJH)	DWG SIZE	A4 (1:18)
CHKD BY	김진홍	SCALE	1/18	TITLE	NEMA STD SHAFT(AISI 1045 SHAFT) Outline		
CHKD BY	김옥진	PROJEC'N	3각법 (3rd Angle)				
DSND BY	김양규	DATE	2013-01-05				



PERFORMANCE CURVE

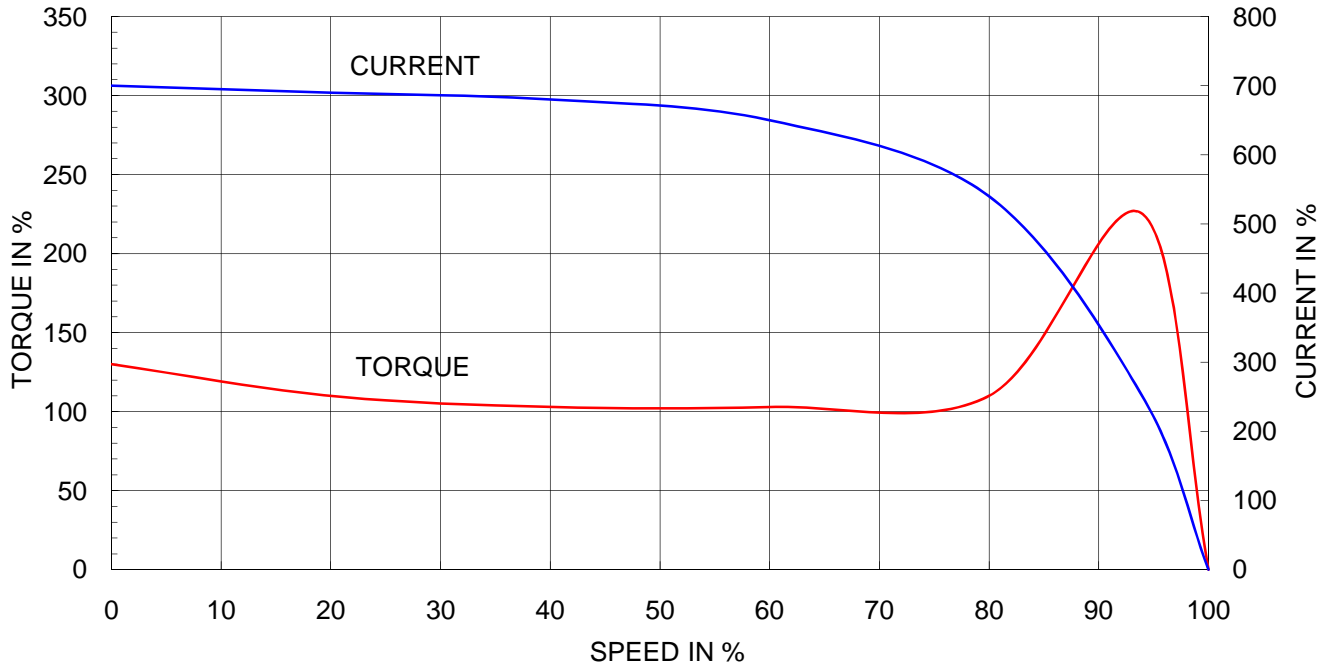
CURVE NO.

P-PJ44JSR02

Type	:	PJ
Full Load Torque	:	513.1 lb.ft
Motor moment of Inertia (J)	:	50.6 lb.ft ²
Load moment of Inertia (J)	:	281.0 lb.ft ²

260 kW	350 HP	60 Hz	
2 P	Rated Speed :	3570 RPM	
Rated Voltage	575V	460V	230V
Full Load Current	304.1A	380.1A	760.1A

SPEED VS TORQUE & CURRENT CURVE



OUTPUT VS EFF., P.F & CURRENT CURVE

