

MODEL NUMBER	HSDE300-36-L449TS		
HORSEPOWER	300		
RPM / POLES	3600 / 2		
VOLTAGE / PHASE	460 V / 3		
FRAME	L449TS		
ENCLOSURE / DEGREE OF PROTECTION	TEFC / IP55		
FREQUENCY	60 HZ		
FULL LOAD SPEED	3570 RPM		
SERVICE FACTOR	1.15		
INSULATION CLASS	F Class N Varnish		
FULL LOAD AMPS	327.5 A		
LOCKED ROTOR CURRENT	2292.5 A		
NEMA CODE LETTER	G		
EFFICIENCY / POWER FACTOR	<u>LOAD</u>	<u>EFF.</u>	<u>P.F.</u>
	100 %	95.8 %	90.0 %
	75 %	95.4 %	88.0 %
	50 %	95.2 %	83.0 %
DUTY CYCLE	S1 / Continuous		
TORQUE	<u>FULL LOAD</u>	<u>LRT</u>	<u>BDT</u>
	444.0 lb.ft.	130 %	225 %
NEMA DESIGN	B		
MOMENT OF INERTIA	<u>LOAD (Max.)</u>	<u>MOTOR</u>	
	246 lb.ft. ²	43.7 lb.ft. ²	
SOUND PRESSURE LEVEL (No Load 1 M From Motor)	87 dB(A)		
NUMBER OF STARTS (Hot / Cold)	1 Hot / 2 Cold		
MAX. AMBIENT TEMPERATURE	40° C		
MAX. ELEVATION	3300 Ft. Above Sea Level		
TEMPERATURE RISE (At Full Load)	80° C		
DRIVE-END BEARING	6315C3		
OPPOSITE DRIVE-END BEARING	6315C3		
GREASE TYPE	Mobil Polyrex EM		
MOUNTING	F1		
ROTATION	Uni-directional (CCW viewed from DE)		
APPROXIMATE WEIGHT	2890 lbs.		
AREA CLASSIFICATION	Class I, Division 2, Groups A, B, C, D		
TEMPERATURE CODE	T3 Up To 45°C		
INVERTER RATING	10:1 VT at Full Load / 20:1 VT at 50% Load 4:1 CT at Full Load / 10:1 CT for 1 Hour Cycle		
SPECIFICATION - In Accordance With	NEMA, CSA		

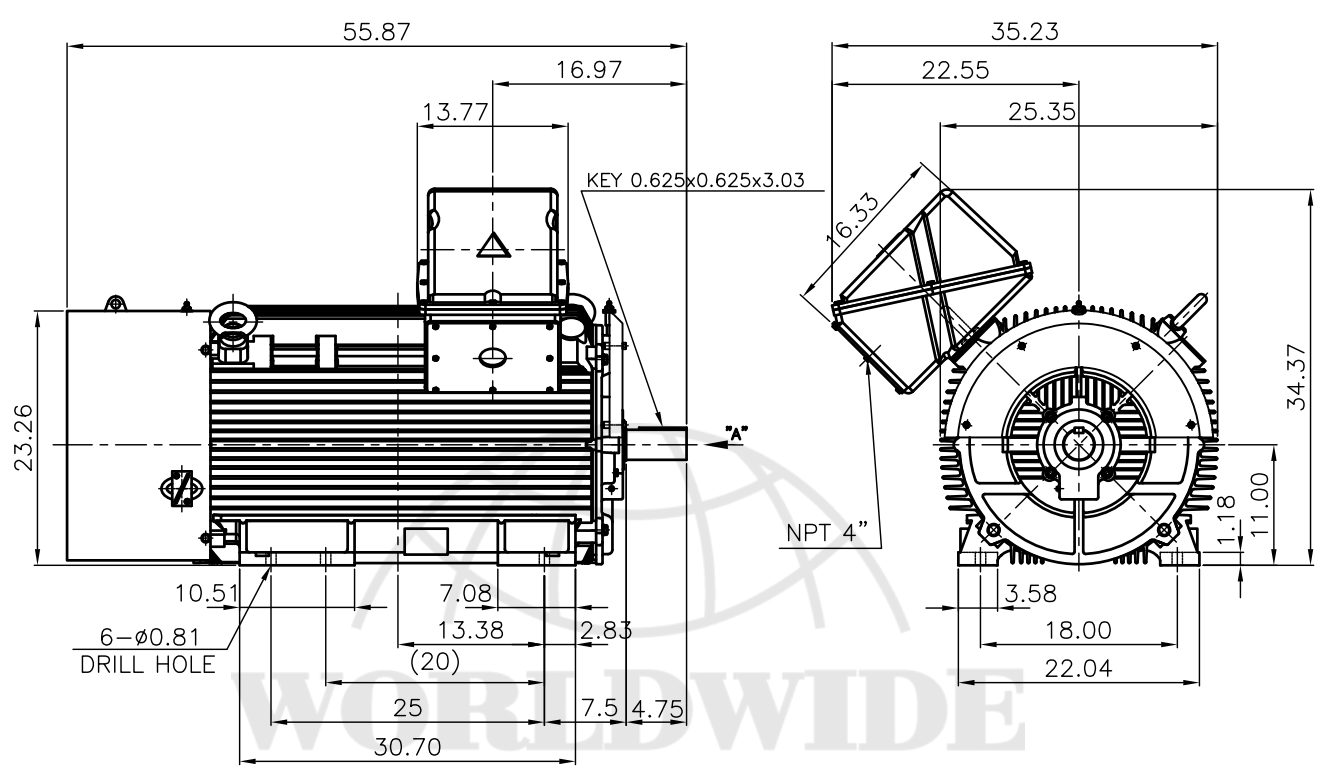


CC038A



THIS DRAWING IS PROPRIETARY TO HHI. NO PART OF THIS DRAWING
MAYBE REPRODUCED WITHOUT THE PERMISSION OF HHI.

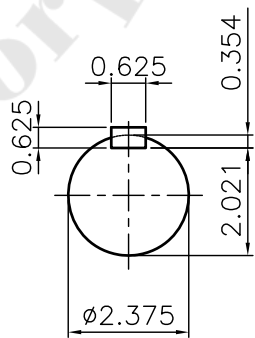
	<h1 style="margin:0;">TEFC</h1> <h2 style="margin:0;">THREE PHASE INDUCTION MOTOR</h2>	TYPE	L,J,LP,JP <hr/> CAST IRON FRAME
---	--	-------------	------------------------------------



NOTE

1.TOLERANCE :

CENTER HEIGHT	11	+0.000	-0.060
SHAFT DIAMETER	$\phi 2.375$	+0.000	-0.001
KEYWAY WIDTH	0.625	+0.002	-0.000



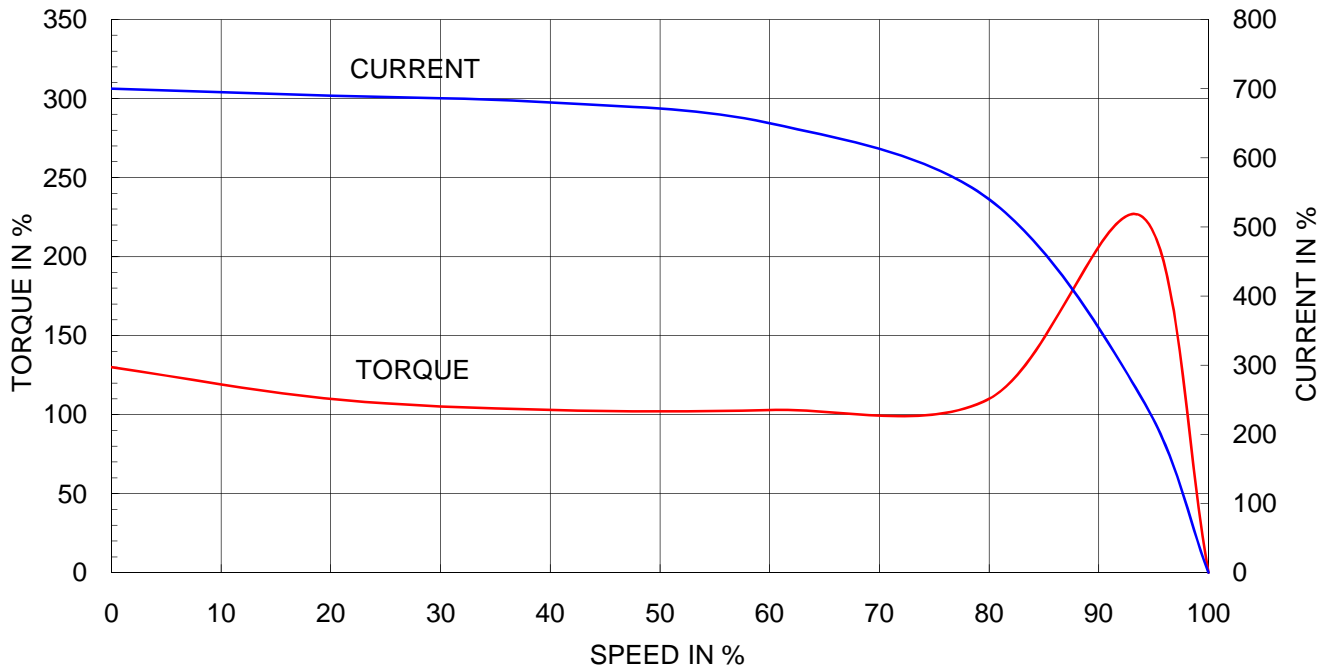
TEFC STANDARD

Q'TY	DESCRIPTION	MATERIAL	DIMENSION	WEIGHT	PART NO.	REMARK	NO.
APPD BY	강경중	UNIT	mm	SUBJECT	XL SERIES Fr.449TS-2P(44KJH)	DWG SIZE	A4 (1:18)
CHKD BY	김진홍	SCALE	1/18	TITLE	NEMA STD SHAFT(AISI 1045 SHAFT) Outline		
CHKD BY	김옥진	PROJEC'N	3각법 (3rd Angle)	REF. NO	Sheet No. of		
DSND BY	김양규	DATE	2013-01-05	DWG NO	LM-T044XB3CL001	Revision No. 1	

Type	:	PJ
Full Load Torque	:	444.0 lb.ft
Motor moment of Inertia (J)	:	43.7 lb.ft ²
Load moment of Inertia (J)	:	246.0 lb.ft ²

225 kW	300 HP	60 Hz	
2 P	Rated Speed :	3570 RPM	
Rated Voltage	575V	460V	230V
Full Load Current	263.1A	328.9A	657.8A

SPEED VS TORQUE & CURRENT CURVE



OUTPUT VS EFF., P.F & CURRENT CURVE

