

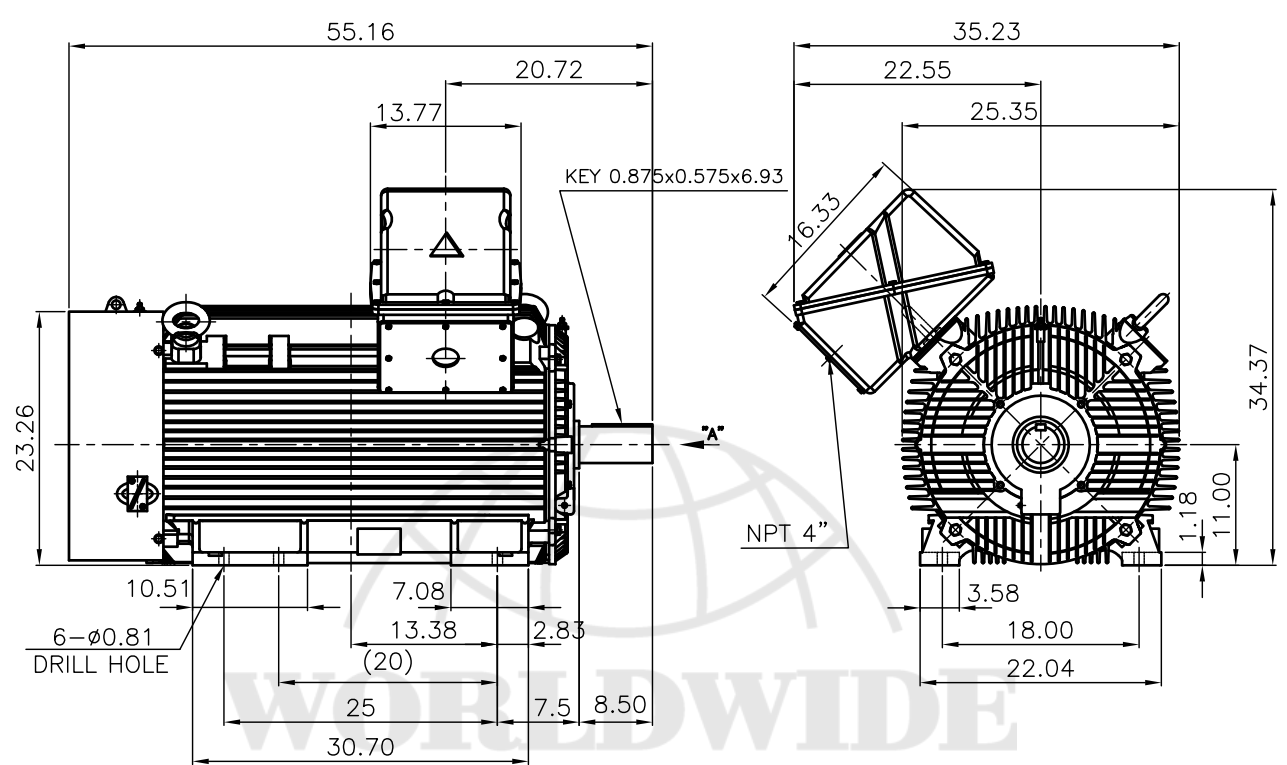
MODEL NUMBER	HSD300-18-L449T		
HORSEPOWER	300		
RPM / POLES	1800 / 4		
VOLTAGE / PHASE	460 V / 3		
FRAME	L449T		
ENCLOSURE / DEGREE OF PROTECTION	TEFC / IP55		
FREQUENCY	60 HZ		
FULL LOAD SPEED	1785 RPM		
SERVICE FACTOR	1.15		
INSULATION CLASS	F Class N Varnish		
FULL LOAD AMPS	333.6 A		
LOCKED ROTOR CURRENT	2368.6 A		
NEMA CODE LETTER	G		
EFFICIENCY / POWER FACTOR	<u>LOAD</u>	<u>EFF.</u>	<u>P.F.</u>
	100 %	96.2 %	88.0 %
	75 %	95.5 %	84.7 %
	50 %	95.1 %	76.2 %
DUTY CYCLE	S1 / Continuous		
TORQUE	<u>FULL LOAD</u>	<u>LRT</u>	<u>BDT</u>
	888.1 lb.ft.	135 %	225 %
NEMA DESIGN	B		
MOMENT OF INERTIA	<u>LOAD (Max.)</u>	<u>MOTOR</u>	
	1200 lb.ft. <sup>2</sup>	101.1 lb.ft. <sup>2</sup>	
SOUND PRESSURE LEVEL ( No Load 1 M From Motor)	85 dB(A)		
NUMBER OF STARTS (Hot / Cold)	2 Hot / 3 Cold		
MAX. AMBIENT TEMPERATURE	40° C		
MAX. ELEVATION	3300 Ft. Above Sea Level		
TEMPERATURE RISE (At Full Load)	80° C		
DRIVE-END BEARING	NU322		
OPPOSITE DRIVE-END BEARING	6318C3		
GREASE TYPE	Mobil Polyrex EM		
MOUNTING	F1		
ROTATION	Bi-Directional		
APPROXIMATE WEIGHT	2890 lbs.		
AREA CLASSIFICATION	Class I, Division 2, Groups A, B, C, D		
TEMPERATURE CODE	T3 Up To 45°C		
INVERTER RATING	10:1 CT / 20:1 VT		
SPECIFICATION - In Accordance With	NEMA, CSA		



CC 038A



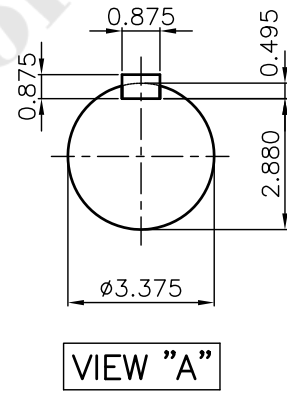
		<h1>TEFC</h1>		<b>TYPE</b>		L,J,LP,JP	
		<b>THREE PHASE INDUCTION MOTOR</b>				CAST IRON FRAME	



**NOTE**

1.TOLERANCE :

CENTER HEIGHT	11	+0.000	-0.060
SHAFT DIAMETER	ø3.375	+0.000	-0.001
KEYWAY WIDTH	0.875	+0.003	-0.000



TEFC STANDARD

Q'TY	DESCRIPTION	MATERIAL	DIMENSION	WEIGHT	PART NO.	REMARK	NO.
APPD BY	강경중	UNIT	mm	SUBJECT	XL SERIES Fr.449T-4P(44KJH)	DWG SIZE	A4 (1:18)
CHKD BY	김진홍	SCALE	1/18	TITLE	NEMA STD SHAFT(4140 SHAFT) Outline		
CHKD BY	김옥진	PROJEC'N	3각법 (3rd Angle)				
DSND BY	김양규	DATE	2013-01-05				



# PERFORMANCE CURVE

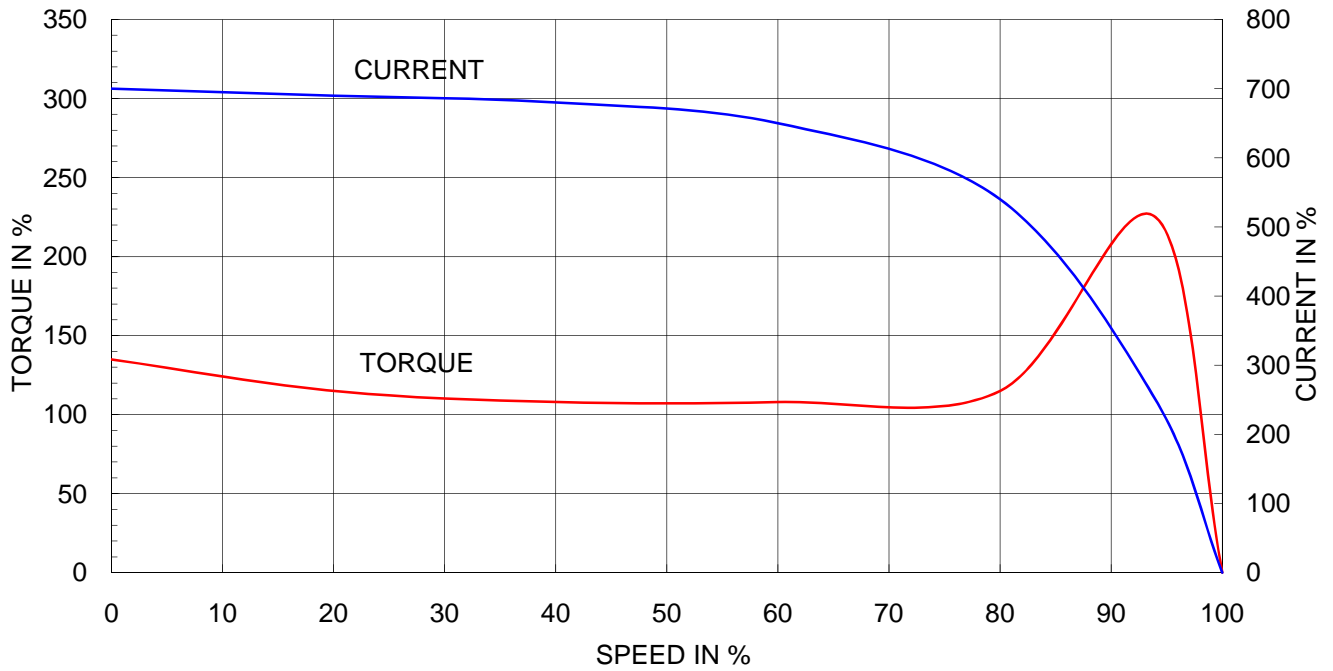
CURVE NO.

**P-PJ44KSR04**

Type	:	PJ
Full Load Torque	:	888.1 lb.ft
Motor moment of Inertia (J)	:	101.1 lb.ft <sup>2</sup>
Load moment of Inertia (J)	:	1200.0 lb.ft <sup>2</sup>

225 kW	300 HP	60 Hz	
4 P	Rated Speed	: 1785 RPM	
Rated Voltage	575V	460V	230V
Full Load Current	269.1A	336.4A	672.8A

SPEED VS TORQUE & CURRENT CURVE



OUTPUT VS EFF., P.F & CURRENT CURVE

