

|  |  |                           |             |
|--|--|---------------------------|-------------|
| MODEL NUMBER                                   | HHI5-12-575-215T                       |                           |             |
| HORSEPOWER                                     | 5                                      |                           |             |
| RPM / POLES                                    | 1200 / 6                               |                           |             |
| VOLTAGE / PHASE                                | 575 V / 3                              |                           |             |
| FRAME  | 215T                                   |                           |             |
| ENCLOSURE / DEGREE OF PROTECTION               | TEFC / IP55                            |                           |             |
| FREQUENCY                                      | 60 HZ                                  |                           |             |
| FULL LOAD SPEED                                | 1170 RPM                               |                           |             |
| SERVICE FACTOR                                 | 1.15 SF at 40° C / 1.0 SF at 65° C     |                           |             |
| INSULATION CLASS                               | F Class N Varnish                      |                           |             |
| FULL LOAD AMPS; 575                            | 5.9 A                                  |                           |             |
| LOCKED ROTOR CURRENT (% Full Load)             | 680 %                                  |                           |             |
| NEMA CODE LETTER                               | K                                      |                           |             |
| EFFICIENCY / POWER FACTOR                      | <u>LOAD</u>                            | <u>EFF.</u>               | <u>P.F.</u> |
|  | 100 %                                  | 89.5 %                    | 70.0 %      |
|  | 75 %                                   | 89.5 %                    | 63.0 %      |
|  | 50 %                                   | 86.5 %                    | 52.0 %      |
| DUTY CYCLE                                     | S1 / Continuous                        |                           |             |
| TORQUE   | <u>FULL LOAD</u>                       | <u>LRT</u>                | <u>BDT</u>  |
|  | 22.3 lb.ft.                            | 170 %                     | 220 %       |
| NEMA DESIGN                                    | B                                      |                           |             |
| MOMENT OF INERTIA                              | <u>LOAD (Max.)</u>                     | <u>MOTOR</u>              |             |
|  | 183.911 lb.ft. <sup>2</sup>            | 1.234 lb.ft. <sup>2</sup> |             |
| SOUND PRESSURE LEVEL ( No Load 1 M From Motor) | 62 dB(A)                               |                           |             |
| NUMBER OF STARTS (Hot / Cold)                  | 2 Hot / 3 Cold                         |                           |             |
| MAX. AMBIENT TEMPERATURE                       | 40° C at 1.15 SF / 65° C at 1.0 SF     |                           |             |
| MAX. ELEVATION                                 | 3300 Ft. Above Sea Level               |                           |             |
| TEMPERATURE RISE (At Full Load)                | 80° C                                  |                           |             |
| DRIVE-END BEARING                              | 6307ZZC3                               |                           |             |
| OPPOSITE DRIVE-END BEARING                     | 6307ZZC3                               |                           |             |
| GREASE TYPE                                    | Mobil Polyrex EM                       |                           |             |
| MOUNTING                                       | F1 (F2 Suitable), W6, W8, B3, V5, V6   |                           |             |
| ROTATION                                       | Bi-Directional                         |                           |             |
| APPROXIMATE WEIGHT                             | 165 lbs.                               |                           |             |
| AREA CLASSIFICATION                            | Class I, Division 2, Groups A, B, C, D |                           |             |
| INVERTER RATING                                | 10:1 CT / 20:1 VT                      |                           |             |
| SPECIFICATION - In Accordance With             | NEMA, CSA                              |                           |             |



CC 038A





# TEFC

**THREE PHASE INDUCTION MOTOR**

**TYPE**

KP,IP

CAST IRON FRAME

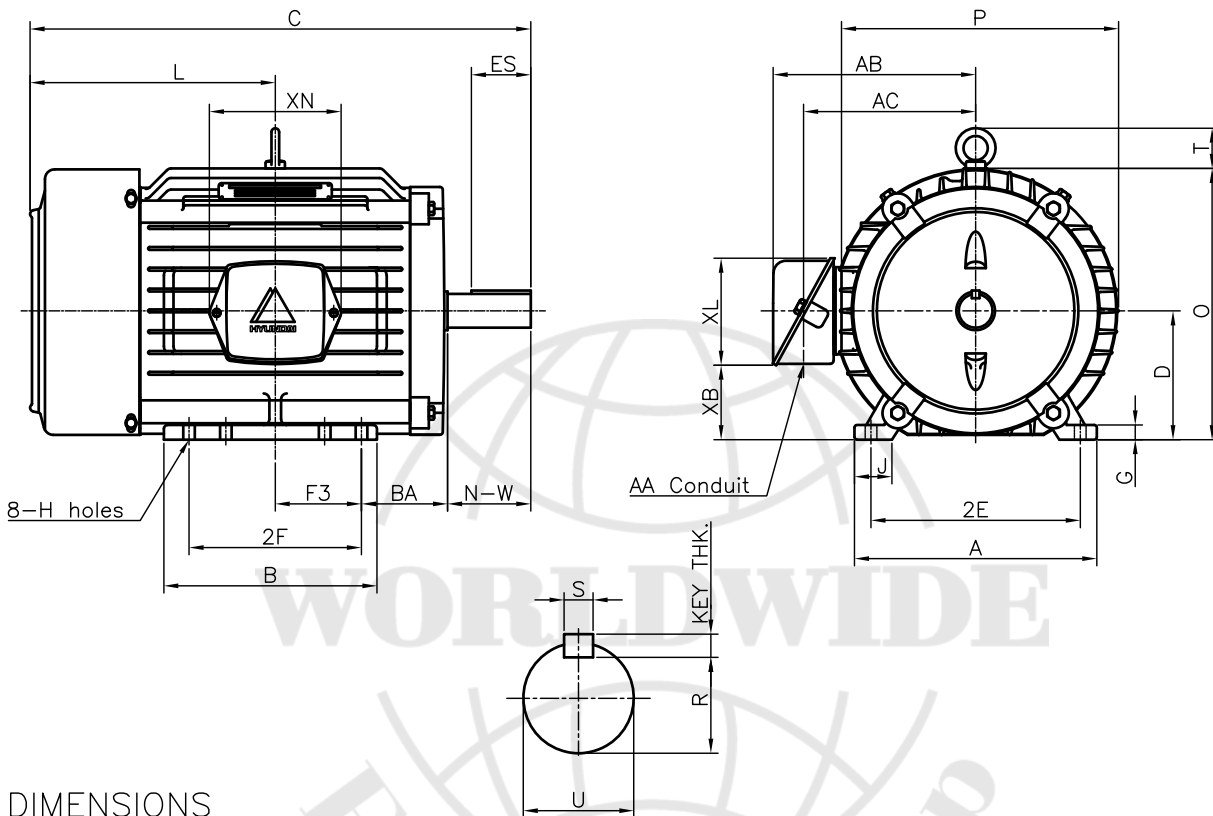
FRAME SIZE

OUTPUT(HP)

POLES

Hz

TIME RATING



## DIMENSIONS

| MOUNTING |      |      |      |   |      |      |      |      | CONDUIT BOX |      |      |      |      |      | APPROX. WGT.(LB) |
|----------|------|------|------|---|------|------|------|------|-------------|------|------|------|------|------|------------------|
| A        | B    | 2E   | 2F   | - | F3   | G    | J    | H    | AA          | AB   | AC   | XB   | XL   | XN   |                  |
| 9.84     | 8.66 | 8.50 | 7.00 | - | 3.50 | 0.60 | 1.52 | 0.41 | 1.00        | 8.23 | 7.34 | 3.03 | 4.35 | 5.35 | 165              |

| OVERALL |       |      |      |       |       |      | SHAFT |      |        |      |       | KEY THK. | BEARING   |                |
|---------|-------|------|------|-------|-------|------|-------|------|--------|------|-------|----------|-----------|----------------|
| BA      | C     | D    | L    | O     | P     | T    | U     | N-W  | KEYWAY |      |       |          | DRIVE END | OPP. DRIVE END |
|         |       |      |      |       |       |      |       |      | R      | ES   | S     |          |           |                |
| 3.50    | 20.36 | 5.25 | 9.97 | 11.02 | 11.26 | 1.63 | 1.375 | 3.38 | 1.201  | 2.41 | 0.312 | 0.312    | 6307ZZC3  | 6307ZZC3       |

### NOTE

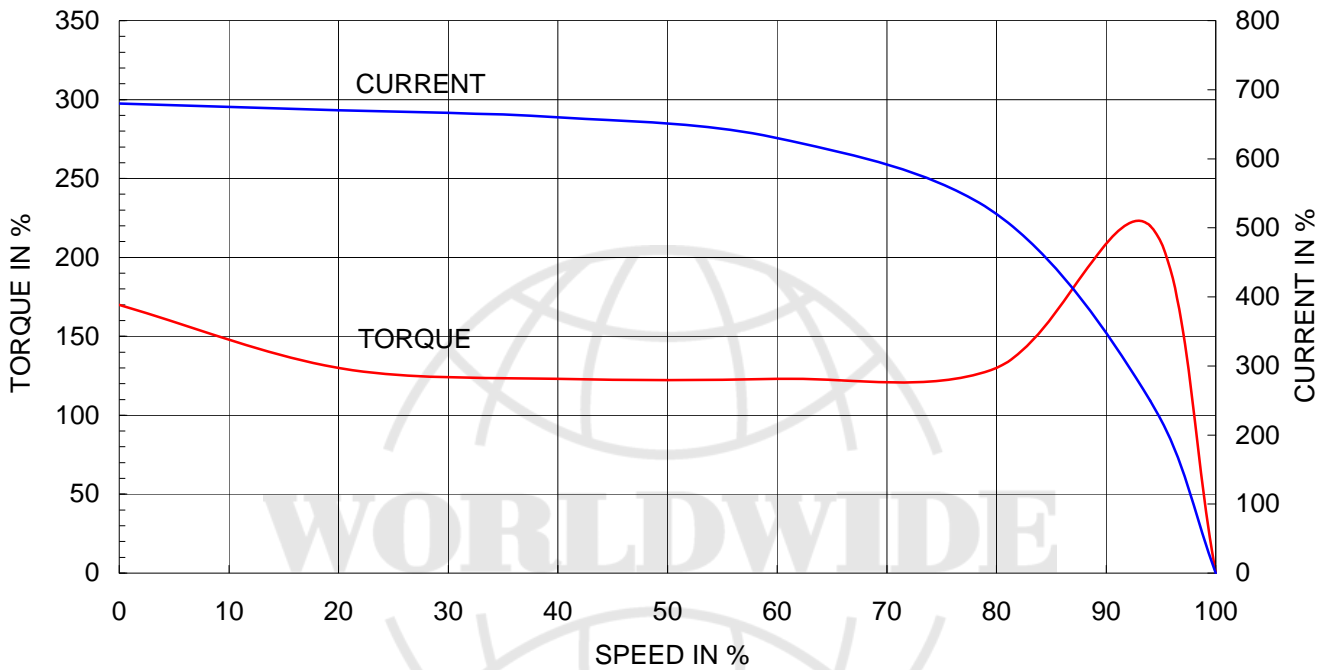
- 1.Dimension "D" tolerance : +0.00inch - 0.03inch
- 2.Dimension "U" tolerance : +0.000inch - 0.0005inch
- 3.Dimension "R" tolerance : +0.000inch - 0.015inch

|         |         |          |            |         |            |                    |      |         |
|---------|---------|----------|------------|---------|------------|--------------------|------|---------|
| APPD BY | J.H.KIM | UNIT     | INCH       | SUBJECT | NEMA 215T  | CAD PROJ           | FILE |         |
| CHKD BY | N.D.LEE | SCALE    | 1/8        |         |            | SCALE-NEMA\A1106AA |      |         |
| CHKD BY | K.S.LEE | PROJEC'N | 3rd Angle  | TITLE   |            |                    |      | OUTLINE |
| DSND BY | S.W.SEO | DATE     | 2010.12.20 |         |            |                    |      |         |
|         |         |          |            | REF. NO | 350A1106AA | Sheet No. of       |      |         |
|         |         |          |            | DWG NO  | 350A1106AA | Revision No. 0     |      |         |

|                             |   |                            |
|-----------------------------|---|----------------------------|
| Type                        | : | PKP                        |
| Full Load Torque            | : | 22.3 lb.ft                 |
| Motor moment of Inertia (J) | : | 1.234 lb.ft <sup>2</sup>   |
| Load moment of Inertia (J)  | : | 183.911 lb.ft <sup>2</sup> |

|                   |               |          |       |
|-------------------|---------------|----------|-------|
| 3.7 kW            | 5 HP          | 60 Hz    |       |
| 6 P               | Rated Speed : | 1170 RPM |       |
| Rated Voltage     | 575V          | 460V     | 230V  |
| Full Load Current | 5.9A          | 7.4A     | 14.8A |

SPEED VS TORQUE & CURRENT CURVE



OUTPUT VS EFF., P.F & CURRENT CURVE

