

MODEL NUMBER	HHI2-18-145TC		
HORSEPOWER	2		
RPM / POLES	1800 / 4		
VOLTAGE / PHASE	230 / 460 V / 3		
FRAME	145TC		
ENCLOSURE / DEGREE OF PROTECTION	TEFC / IP55		
FREQUENCY	60 HZ		
FULL LOAD SPEED	1735 RPM		
SERVICE FACTOR	1.15 SF at 40° C / 1.0 SF at 65° C		
INSULATION CLASS	F Class N Varnish		
FULL LOAD AMPS; 230 / 460	6.0 / 3.0 A Usable On 208 V At 6.6 A		
LOCKED ROTOR CURRENT (% Full Load)	830 / 830 %		
NEMA CODE LETTER	L		
EFFICIENCY / POWER FACTOR	<u>LOAD</u>	<u>EFF.</u>	<u>P.F.</u>
	100 %	86.5 %	73.0 %
	75 %	86.7 %	63.0 %
	50 %	81.0%	49.0 %
DUTY CYCLE	S1 / Continuous		
TORQUE	<u>FULL LOAD</u>	<u>LRT</u>	<u>BDT</u>
	6.1 lb.ft.	250 %	280 %
NEMA DESIGN	B		
MOMENT OF INERTIA	<u>LOAD (Max.)</u>	<u>MOTOR</u>	
	24.917 lb.ft. <sup>2</sup>	0.078 lb.ft. <sup>2</sup>	
SOUND PRESSURE LEVEL ( No Load 1 M From Motor)	63 dB(A)		
NUMBER OF STARTS (Hot / Cold)	2 Hot / 3 Cold		
MAX. AMBIENT TEMPERATURE	40° C at 1.15 SF / 65° C at 1.0 SF		
MAX. ELEVATION	3300 Ft. Above Sea Level		
TEMPERATURE RISE (At Full Load)	80° C		
DRIVE-END BEARING	6205ZZC3		
OPPOSITE DRIVE-END BEARING	6204ZZC3		
GREASE TYPE	Mobil Polyrex EM		
MOUNTING	F1 (F2 Suitable), W6, W8, B3, V5, V6		
ROTATION	Bi-Directional		
APPROXIMATE WEIGHT	55 lbs.		
AREA CLASSIFICATION	Class I, Division 2, Groups A, B, C, D		
INVERTER RATING	10:1 CT / 20:1 VT		
SPECIFICATION - In Accordance With	NEMA, CSA		



CC 038A





# TEFC

**THREE PHASE INDUCTION MOTOR**

**TYPE**

LP,JP

CAST IRON FRAME

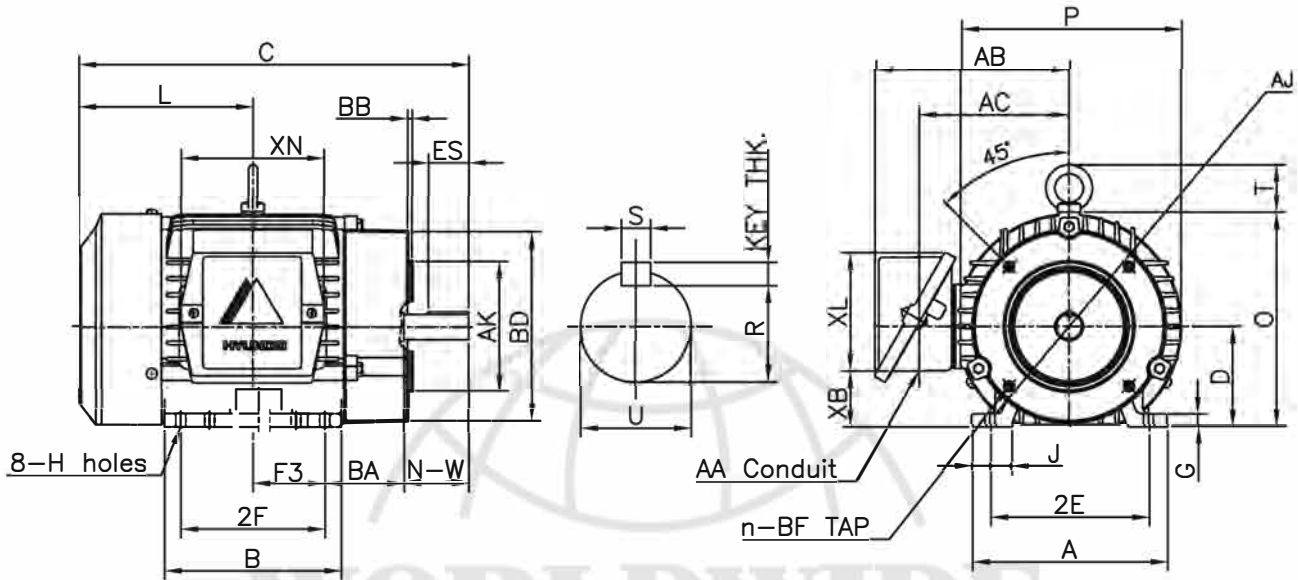
FRAME SIZE

OUTPUT(HP)

POLES

Hz

TIME RATING



## DIMENSIONS

FLANGE						MOUNTING								
AJ	AK	BD	BB	BF	n	A	B	2E	2F	-	F3	G	J	H
5.875	4.50	6.57	0.16	3/8-16	4	6.78	6.15	5.50	5.00	-	2.50	0.47	1.36	0.34

CONDUIT BOX						OVERALL							APPROX. WGT.(LB)
AA	AB	AC	XB	XL	XN	BA	C	D	L	O	P	T	
0.75	6.73	5.21	1.95	4.10	4.96	2.75	13.05	3.50	6.05	7.46	7.64	1.63	55

SHAFT					KEY THK.	BEARING	
U	N-W	KEYWAY				DRIVE END	OPP. DRIVE END
		R	ES	S			
0.875	2.25	0.771	1.41	0.188	0.188	6205ZC3	6204ZC3

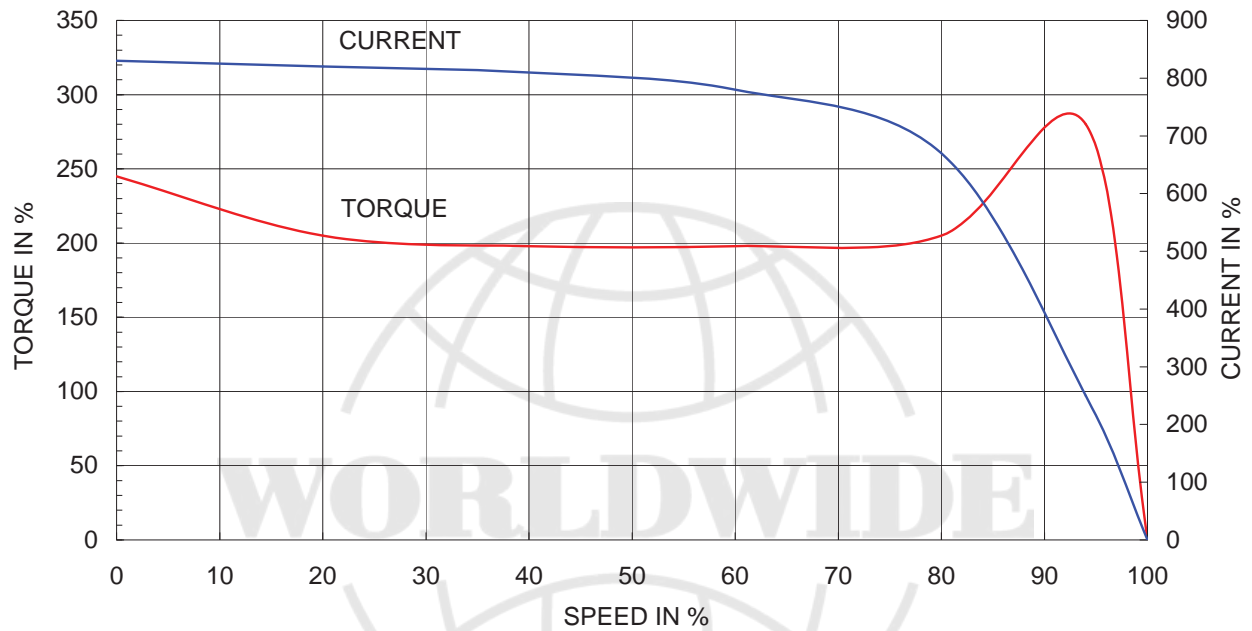
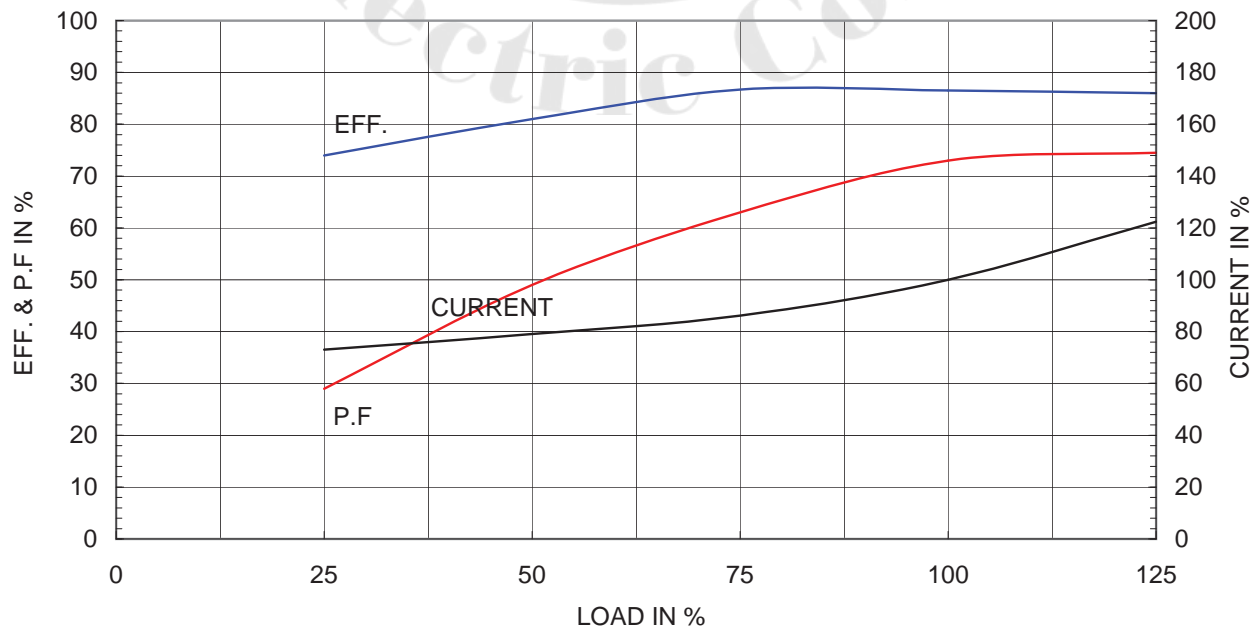
### NOTE

- 1.Dimension "D" tolerance : +0.00inch - 0.03inch
- 2.Dimension "U" tolerance : +0.000inch - 0.0005inch
- 3.Dimension "R" tolerance : +0.000inch - 0.015inch

APPD BY	J.H.KIM	UNIT	INCH	SUBJECT	NEMA 145TC(KIT)	CAD PROJ \ FILE
CHKD BY	N.D.LEE	SCALE	1/8			SCALE-NEMA\A1302AA
CHKD BY	K.S.LEE	PROJEC'N	3rd Angle	TITLE <b>OUTLINE</b>		
DSND BY	S.W.SEO	DATE	2010.12.20			
				REF. NO	350A1302AA	Sheet No. of
				DWG NO	350A1302AA	Revision No. 0

Type	: PLP
Full Load Torque	: 6.1 lb.ft
Motor moment of Inertia (J)	: 0.078 lb.ft <sup>2</sup>
Load moment of Inertia (J)	: 24.917 lb.ft <sup>2</sup>

1.5 kW	2 HP	60 Hz
4 P	Rated Speed : 1735 RPM	
Rated Voltage	575V	460V
Full Load Current	2.4A	3.0A

**SPEED VS TORQUE & CURRENT CURVE**

**OUTPUT VS EFF., P.F & CURRENT CURVE**


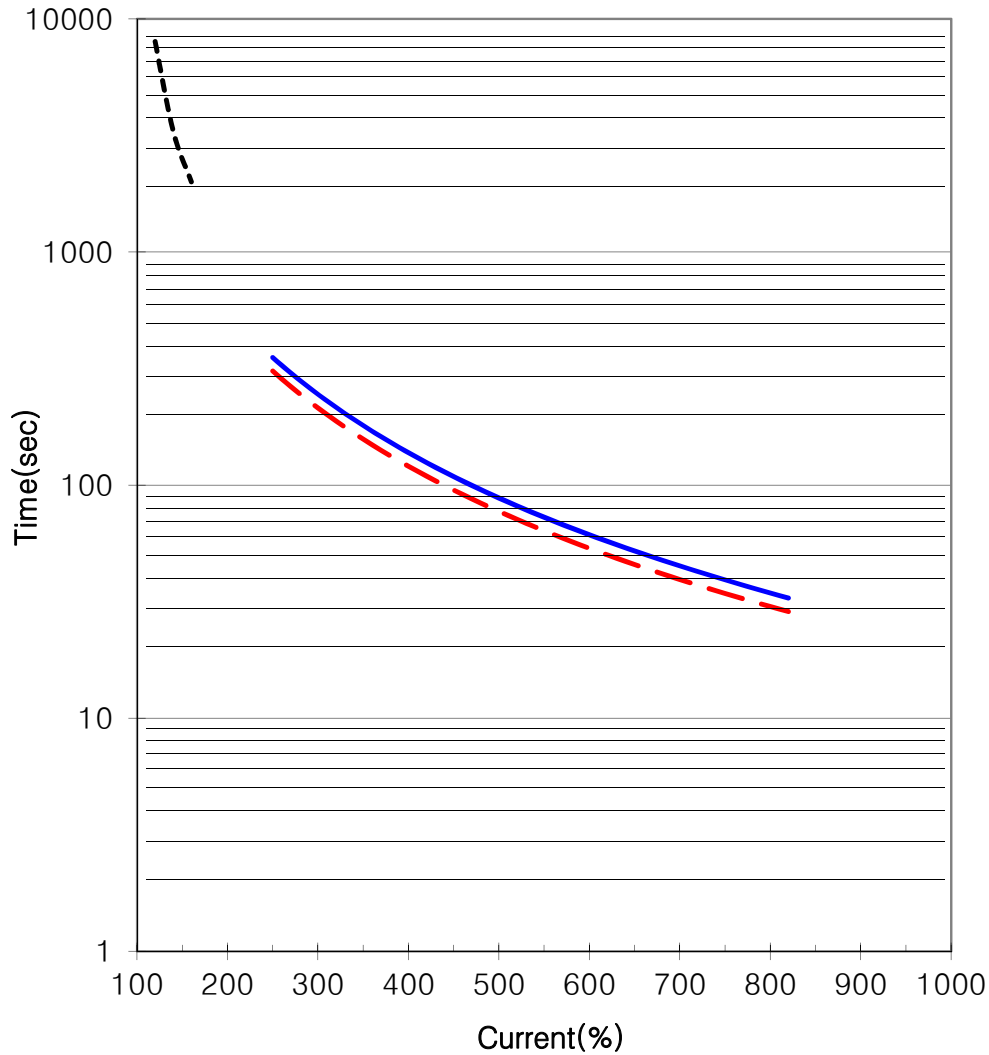


# THERMAL LIMIT & TIME CURRENT CURVE

CURVE NO.

T-PLP2-18-145TC

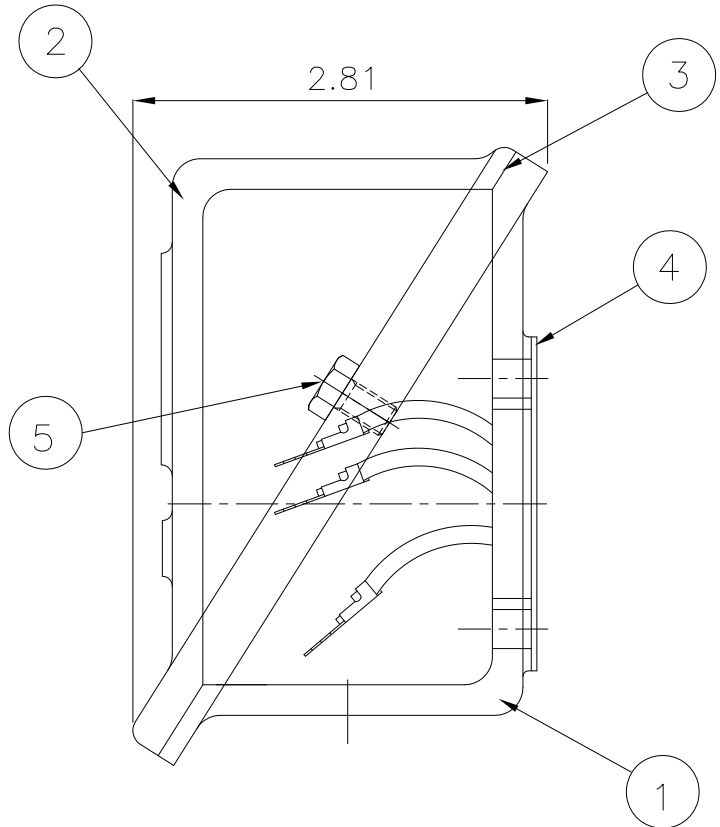
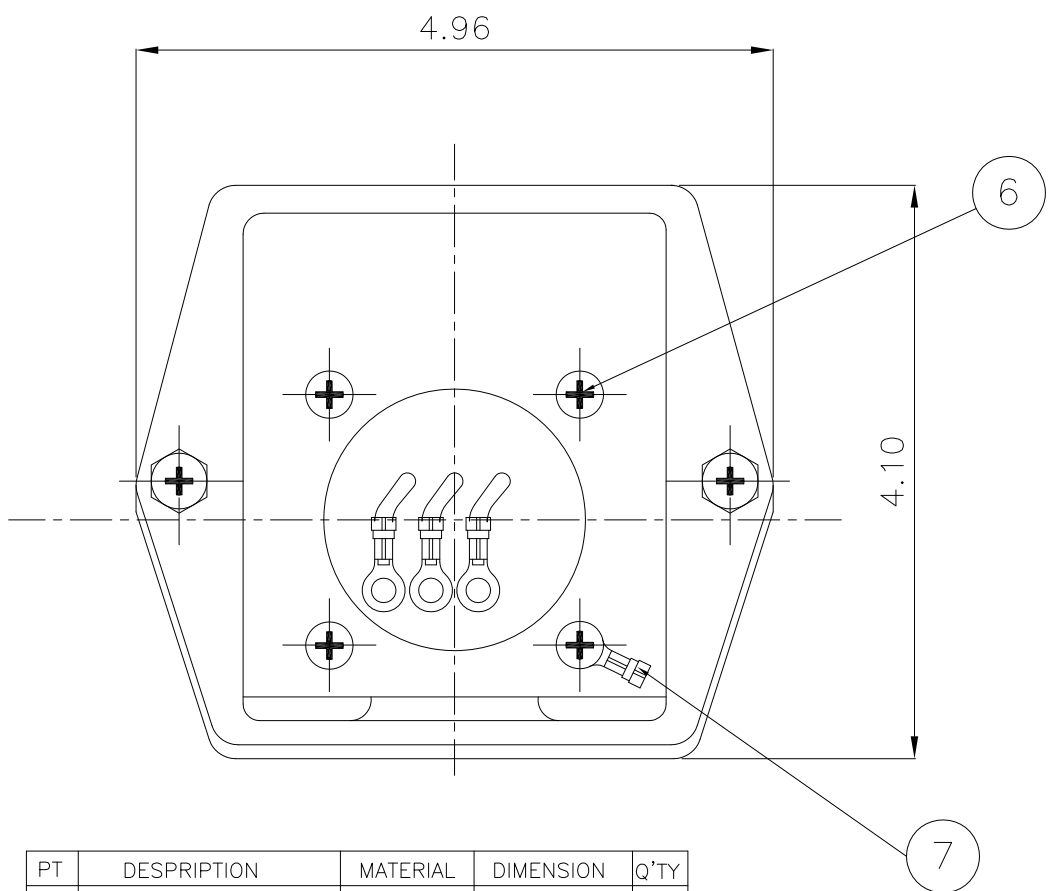
Type :	PLP2-18-145T			2	HP	4	P	60	Hz
FULL LOAD TORQUE :	6.1	lb.ft		RATED SPEED :		1735 rpm			
J OF LOAD :	-	lb.ft²		VOLTAGE		460 V	575 V		
J OF MOTOR :	0.1	lb.ft²		RATED CURRENT		3.0A	2.4A		



— THERMAL LIMIT CURVE AT COLD CONDITION  
- - THERMAL LIMIT CURVE AT HOT CONDITION

STARTING TIME	SAFE STALL TIME
- at rated voltage starting	28 sec. at Hot condition
- at 80% of rated voltage starting	32 sec. at Cold condition

THIS DRAWING IS PROPRIETARY TO HHI. NO PART OF THIS DRAWING MAY BE REPRODUCED WITHOUT THE PERMISSION OF HHI.



PT	DESCRIPTION	MATERIAL	DIMENSION	Q'TY
1	CONDUIT BOX	FC15	--	1
2	CONDUIT BOX COVER	FC15	--	1
3	O-RING / COVER	NBR	--	1
4	BOX GASKET	NBR	--	1
5	COVER+BOX HEX BOLT	S45C	M5 X L15	4
6	BOX+FRAME HEX BOLT	S45C	M5 X L15	4
7	GROUND TERMINAL LUG	CU	M5X5.5mmSQ	1

Q'TY	DESCRIPTION	MATERIAL	DIMENSION	WEIGHT	PART NO.	REMARK	NO.
APPD BY	B.M.YOO	UNIT	INCH	SUBJECT		CAD PROJ FILE IP	
CHKD BY	S.W.SEO	SCALE	1/0.46	NEMA 140		IP 54,55,56	
CHKD BY	J.S.JEONG	PROJEC'N	3rd Angle	TITLE			
DSND BY	C.S.KO	DATE	2008.01.18	3 LEADS CONDUIT BOX ASSEMBLY			
REF. NO		227B1535AA2		Sheet No.		of	
DWG NO		227B1535AA2		Revision No.		1	

REV	DATE	CONTENTS	REVD BY	CHKD BY	CHKD BY	APPD BY
1						
2						
3						
4						