

MODEL NUMBER	HHI1.5-36-143TC		
HORSEPOWER	1.5		
RPM / POLES	3600 / 2		
VOLTAGE / PHASE	230 / 460 V / 3		
FRAME	143TC		
ENCLOSURE / DEGREE OF PROTECTION	TEFC / IP55		
FREQUENCY	60 HZ		
FULL LOAD SPEED	3500 RPM		
SERVICE FACTOR	1.15 SF at 40° C / 1.0 SF at 65° C		
INSULATION CLASS	F Class N Varnish		
FULL LOAD AMPS; 230 / 460	4.0 / 2.0 A Usable On 208 V At 4.4 A		
LOCKED ROTOR CURRENT (% Full Load)	1000 / 1000 %		
NEMA CODE LETTER	M		
EFFICIENCY / POWER FACTOR	<u>LOAD</u>	<u>EFF.</u>	<u>P.F.</u>
	100 %	84.0 %	84.0 %
	75 %	84.2 %	70.0 %
	50 %	81.5 %	54.0 %
DUTY CYCLE	S1 / Continuous		
TORQUE	<u>FULL LOAD</u>	<u>LRT</u>	<u>BDT</u>
	2.2 lb.ft.	190%	260 %
NEMA DESIGN	B		
MOMENT OF INERTIA	<u>LOAD (Max.)</u>	<u>MOTOR</u>	
	3.790 lb.ft. <sup>2</sup>	0.033 lb.ft. <sup>2</sup>	
SOUND PRESSURE LEVEL ( No Load 1 M From Motor)	72 dB(A)		
NUMBER OF STARTS (Hot / Cold)	2 Hot / 3 Cold		
MAX. AMBIENT TEMPERATURE	40° C at 1.15 SF / 65° C at 1.0 SF		
MAX. ELEVATION	3300 Ft. Above Sea Level		
TEMPERATURE RISE (At Full Load)	80° C		
DRIVE-END BEARING	6205ZZC3		
OPPOSITE DRIVE-END BEARING	6204ZZC3		
GREASE TYPE	Mobil Polyrex EM		
MOUNTING	F1 (F2 Suitable), W6, W8, B3, V5, V6		
ROTATION	Bi-Directional		
APPROXIMATE WEIGHT	53 lbs.		
AREA CLASSIFICATION	Class I, Division 2, Groups A, B, C, D		
INVERTER RATING	10:1 CT / 20:1 VT		
SPECIFICATION - In Accordance With	NEMA, CSA		



CC 038A





# TEFC

THREE PHASE INDUCTION MOTOR

TYPE

LP,JP

CAST IRON FRAME

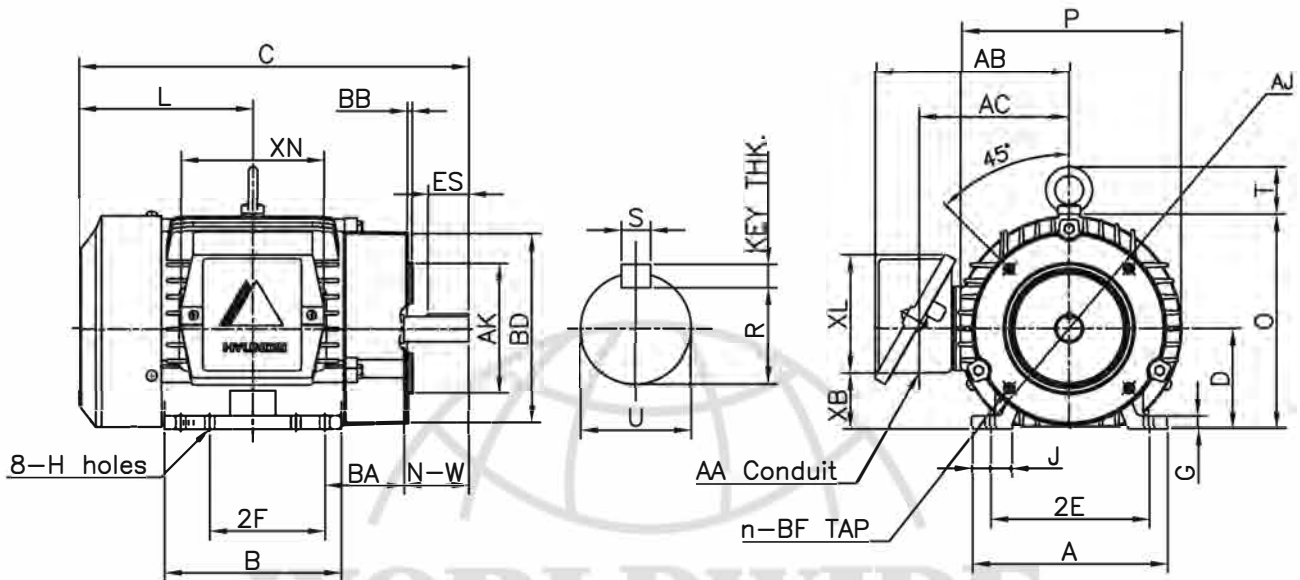
FRAME SIZE

OUTPUT(HP)

POLES

Hz

TIME RATING



## DIMENSIONS

FLANGE						MOUNTING								
AJ	AK	BD	BB	BF	n	A	B	2E	2F	-	-	G	J	H
5.875	4.50	6.57	0.16	3/8-16	4	6.78	6.15	5.50	4.00	-	-	0.45	1.36	0.34

CONDUIT BOX						OVERALL							APPROX. WGT.(LB)
AA	AB	AC	XB	XL	XN	BA	C	D	L	O	P	T	
0.75	6.73	5.21	1.95	4.10	4.96	2.75	13.05	3.50	6.05	7.46	7.64	1.63	53

SHAFT					KEY THK.	BEARING	
U	N-W	KEYWAY				DRIVE END	OPP. DRIVE END
		R	ES	S			
0.875	2.25	0.771	1.41	0.188	0.188	6205ZC3	6204ZC3

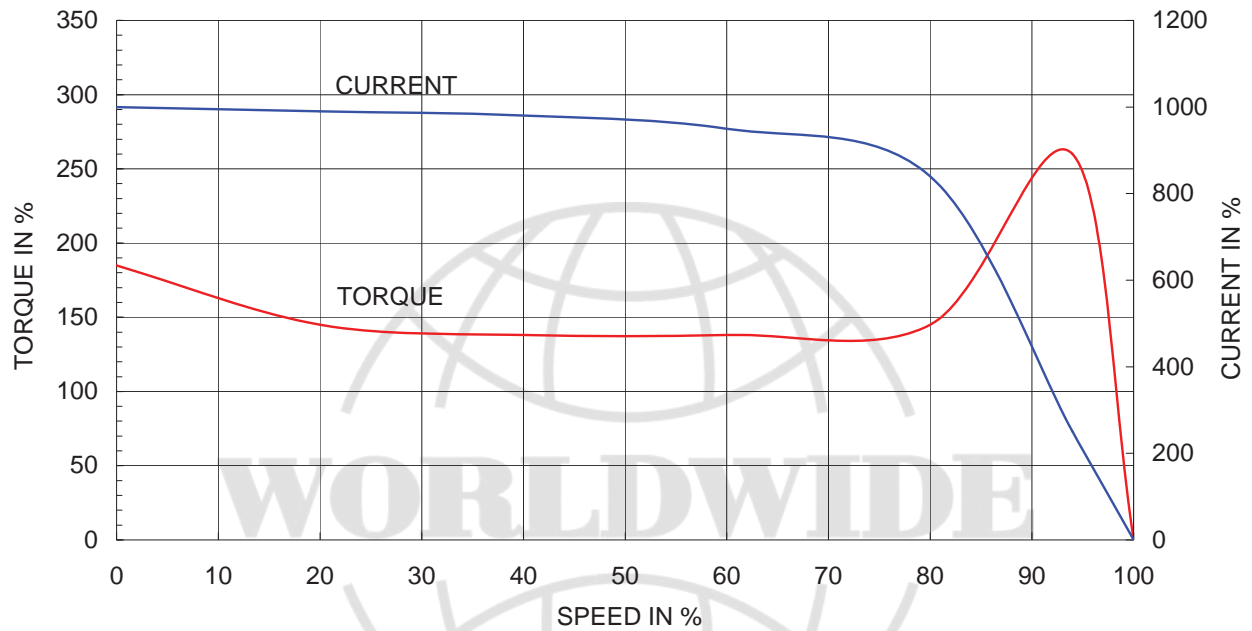
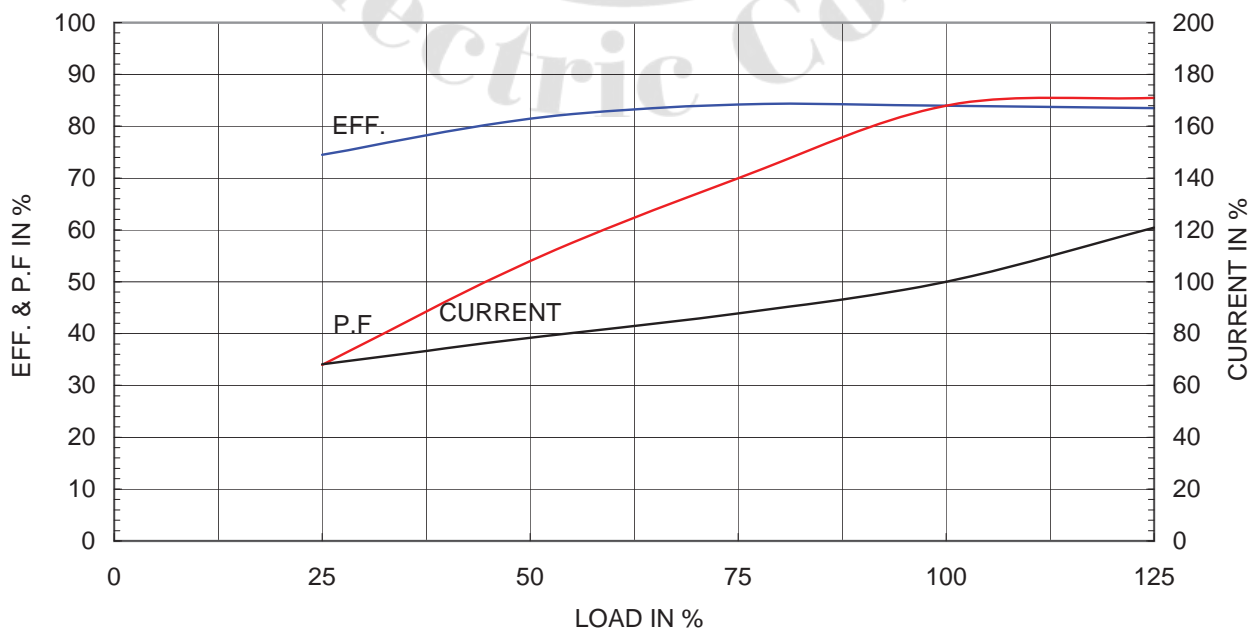
### NOTE

- 1.Dimension "D" tolerance : +0.00inch - 0.03inch
- 2.Dimension "U" tolerance : +0.000inch - 0.0005inch
- 3.Dimension "R" tolerance : +0.000inch - 0.015inch

APPD BY	J.H.KIM	UNIT	INCH	SUBJECT	NEMA 143TC(KIT)	CAD PROJ \ FILE
CHKD BY	N.D.LEE	SCALE	1/8			SCALE-NEMA\A1301AA
CHKD BY	K.S.LEE	PROJEC'N	3rd Angle	TITLE <b>OUTLINE</b>		
DSND BY	S.W.SEO	DATE	2010.12.20			
				REF. NO	350A1301AA	Sheet No. of
				DWG NO	350A1301AA	Revision No. 0

Type :	PLP
Full Load Torque :	2.2 lb.ft
Motor moment of Inertia (J) :	0.033 lb.ft <sup>2</sup>
Load moment of Inertia (J) :	3.790 lb.ft <sup>2</sup>

1.1 kW	1.5 HP	60 Hz
2 P	Rated Speed : 3500 RPM	
Rated Voltage	575V	460V
Full Load Current	1.6A	2.0A

**SPEED VS TORQUE & CURRENT CURVE**

**OUTPUT VS EFF., P.F & CURRENT CURVE**


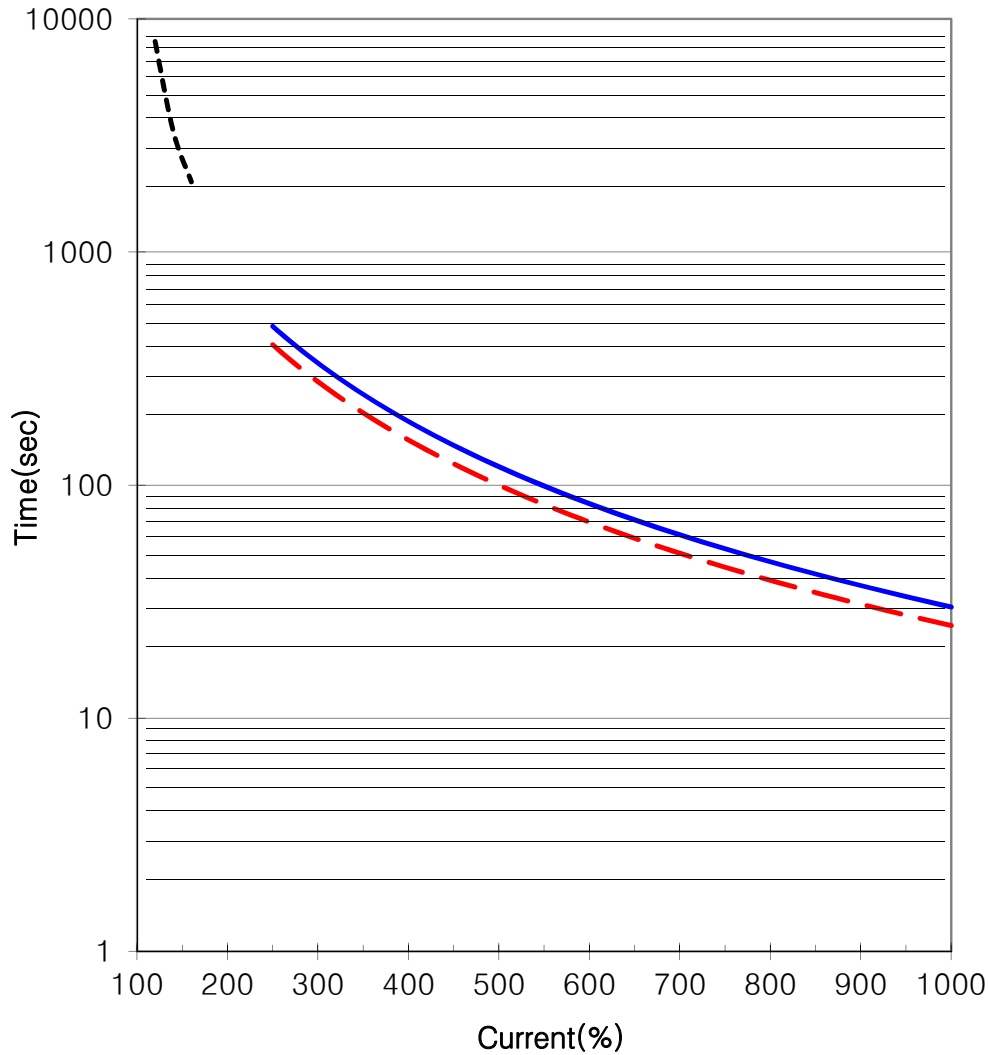


### THERMAL LIMIT & TIME CURRENT CURVE

CURVE NO.

T-PLP1.5-36-143TC

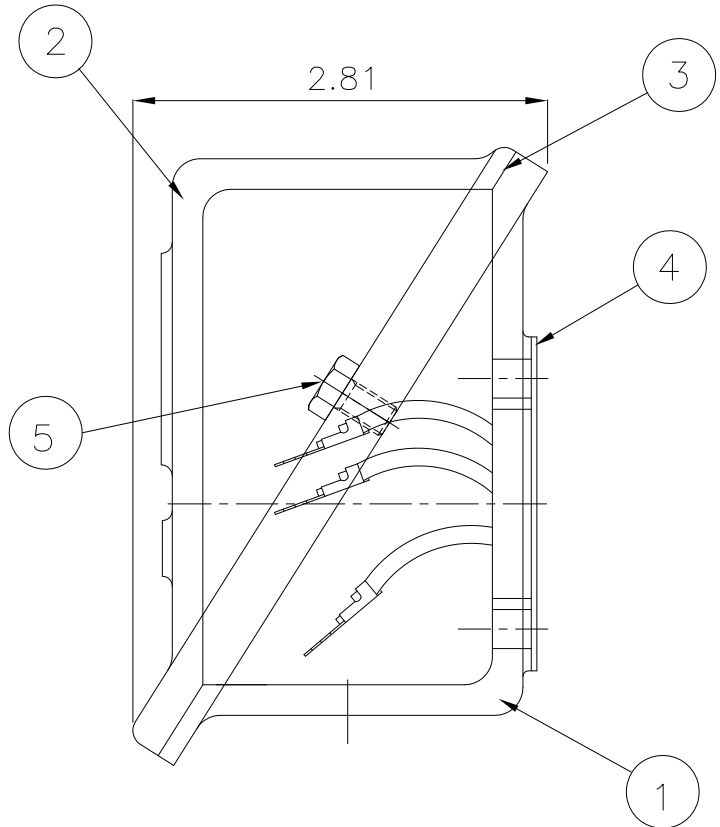
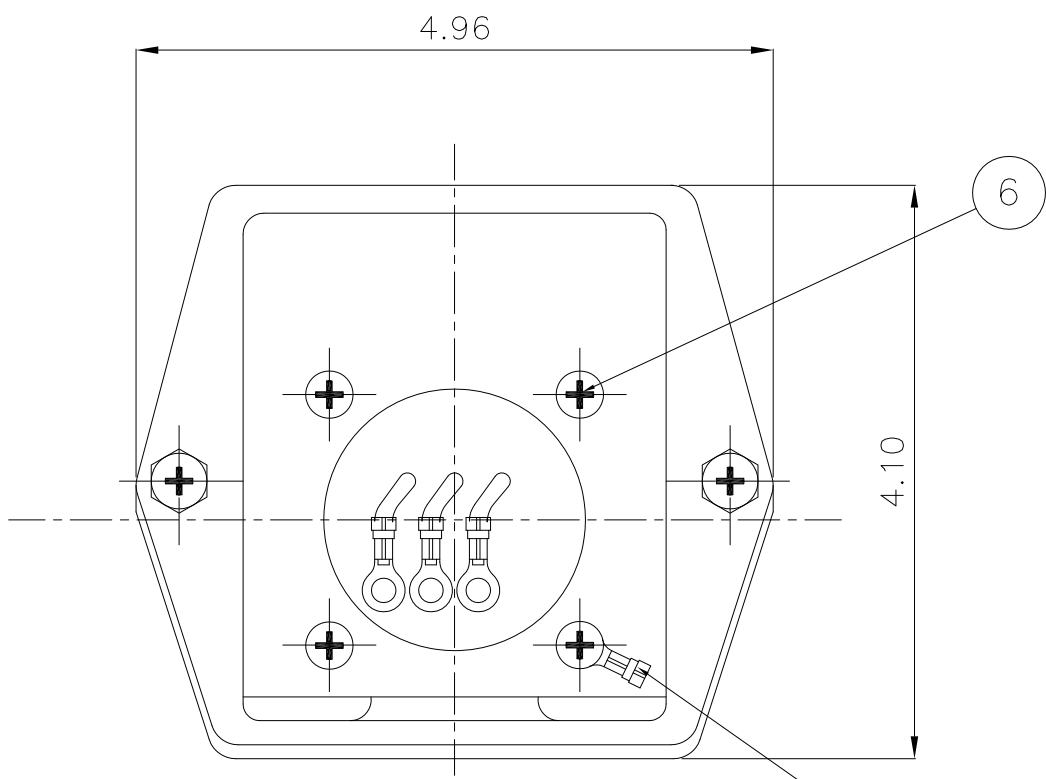
Type :	PLP1.5-36-143T		1.5	HP	2	P	60	Hz
FULL LOAD TORQUE :	2.2	lb.ft	RATED SPEED :		3500 rpm			
J OF LOAD :	-	lb.ft <sup>2</sup>	VOLTAGE		460 V	575 V		
J OF MOTOR :	0.0	lb.ft <sup>2</sup>	RATED CURRENT		2.0A	1.6A		



— THERMAL LIMIT CURVE AT COLD CONDITION  
- - THERMAL LIMIT CURVE AT HOT CONDITION

STARTING TIME	SAFE STALL TIME
- at rated voltage starting	25 sec. at Hot condition
- at 80% of rated voltage starting	30 sec. at Cold condition

THIS DRAWING IS PROPRIETARY TO HHI. NO PART OF THIS DRAWING MAY BE REPRODUCED WITHOUT THE PERMISSION OF HHI.



PT	DESCRIPTION	MATERIAL	DIMENSION	Q'TY
1	CONDUIT BOX	FC15	--	1
2	CONDUIT BOX COVER	FC15	--	1
3	O-RING / COVER	NBR	--	1
4	BOX GASKET	NBR	--	1
5	COVER+BOX HEX BOLT	S45C	M5 X L15	4
6	BOX+FRAME HEX BOLT	S45C	M5 X L15	4
7	GROUND TERMINAL LUG	CU	M5X5.5mmSQ	1

REV	DATE	CONTENTS	REVD BY	CHKD BY	CHKD BY	APPD BY
1						
2						
3						
4						

Q'TY	DESCRIPTION	MATERIAL	DIMENSION	WEIGHT	PART NO.	REMARK	NO.
APPD BY	B.M.YOO	UNIT	INCH	SUBJECT	NEMA 140	CAD PROJ FILE	
CHKD BY	S.W.SEO	SCALE	1/0.46	TITLE		IP 54,55,56	
CHKD BY	J.S.JEONG	PROJEC'N	3rd Angle	3 LEADS CONDUIT BOX ASSEMBLY			
DSND BY	C.S.KO	DATE	2008.01.18	REF. NO	227B1535AA2	Sheet No.	of
				DWG NO	227B1535AA2	Revision No.	1