



WORLDWIDE ELECTRIC MOTOR DATA SHEET



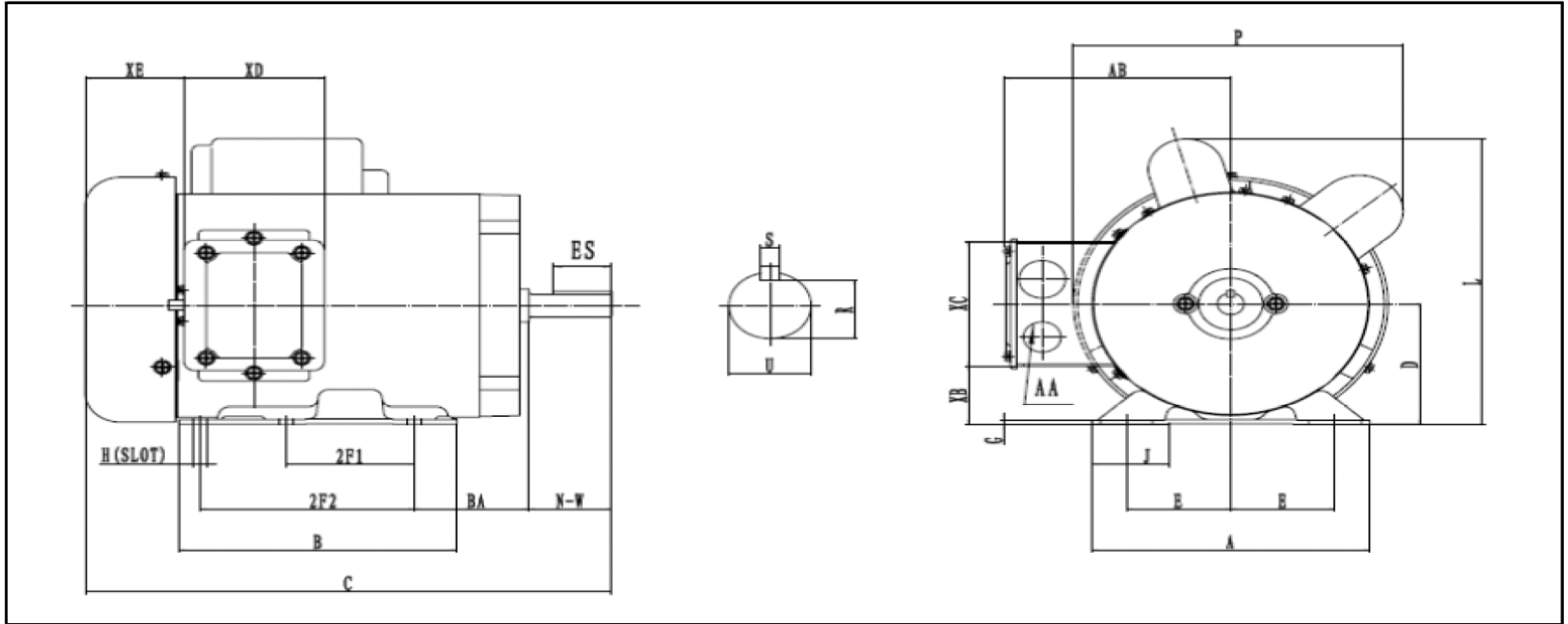
FM1.5-18-56H

HORSEPOWER	1.5		
RPM / POLES	1800 / 4		
VOLTAGE / PHASE	115/230 V / 1		
FRAME	56H		
ENCLOSURE / DEGREE OF PROTECTION	TEFC / IP54		
FREQUENCY	60 HZ		
FULL LOAD SPEED	1725 RPM		
SERVICE FACTOR	1.15		
INSULATION CLASS	F		
FULL LOAD AMPS; 115 / 230 (110 / 220)	14.5 / 7.3 A		
EFFICIENCY / POWER FACTOR	<u>LOAD</u>	<u>EFF.</u>	<u>P.F.</u>
	100%	77.0%	0.84
DUTY CYCLE	Continuous		
TORQUE	<u>FULL LOAD</u>	<u>LRT</u>	
	4.45 lb.ft.	12.41 lb.ft.	
MAX. AMBIENT TEMPERATURE	40° C		
MAX. ELEVATION	3300 Ft. Above Sea Level		
TEMPERATURE RISE (At Full Load)	80° C		
DE BEARING	6203		
ODE BEARING	6203		
BASE TYPE	Rigid Base		
REGREASING INT. - DE BEARING	---		
REGREASING INT. - ODE BEARING	---		
GREASE TYPE	Mobil Polyrex EM		
MOUNTING	F1		
ROTATION	Bi-Directional		
CONNECTION DIAGRAM	115/230 V - 6 Lead		
APPROXIMATE WEIGHT	37 lbs.		
INVERTER RATING	---		
REPLACEMENT PARTS	Capacitor (Start)	NSC56-5(900uf/165V)	
	Capacitor (Run)	NRC56 (40uf/250V)	
	Capacitor Cover (Start)	NSCCOVER56	
	Capacitor Cover (Run)	NRCCOVER56	
	Endbell (DE)	NDEEBELL56-3	
	Endbell (ODE)	NODEEBELL56	
	Fan	NFAN56	
	Fan Cover	NFCOVER56	
	Junction Box	NJBOX56	
	Overload (Manual)	FM1.5MO	
	Switch (Centrifugal)	NCSWITCH56-2	
	Switch (Stationary)	NSSWITCH56	



WORLDWIDE ELECTRIC MOTOR DRAWING

FM1.5-18-56H



DIMENSIONS - INCHES

MOUNTING					A	B	C	D	G	J	L	P	AB	BC
E	2F1	2F2	H	BA										
2.44	3	5	0.34	2.75	6.54	6.54	12.9	3.5	0.12	1.65	8.7	8.2	5.2	---

KEY		KEYSET	FLANGE				SHAFT		TERMINAL BOX				
S	ES	R	AK	AJ	BF	BB	N-W	U	AA	XB	XC	XD	XE
0.188	1.41	0.517	---	---	---	---	1.88	0.625	2-0.88 / 2-1.109	1.65	3.7	3.2	2.15