



WORLDWIDE ELECTRIC MOTOR DATA SHEET

FM12-18-56

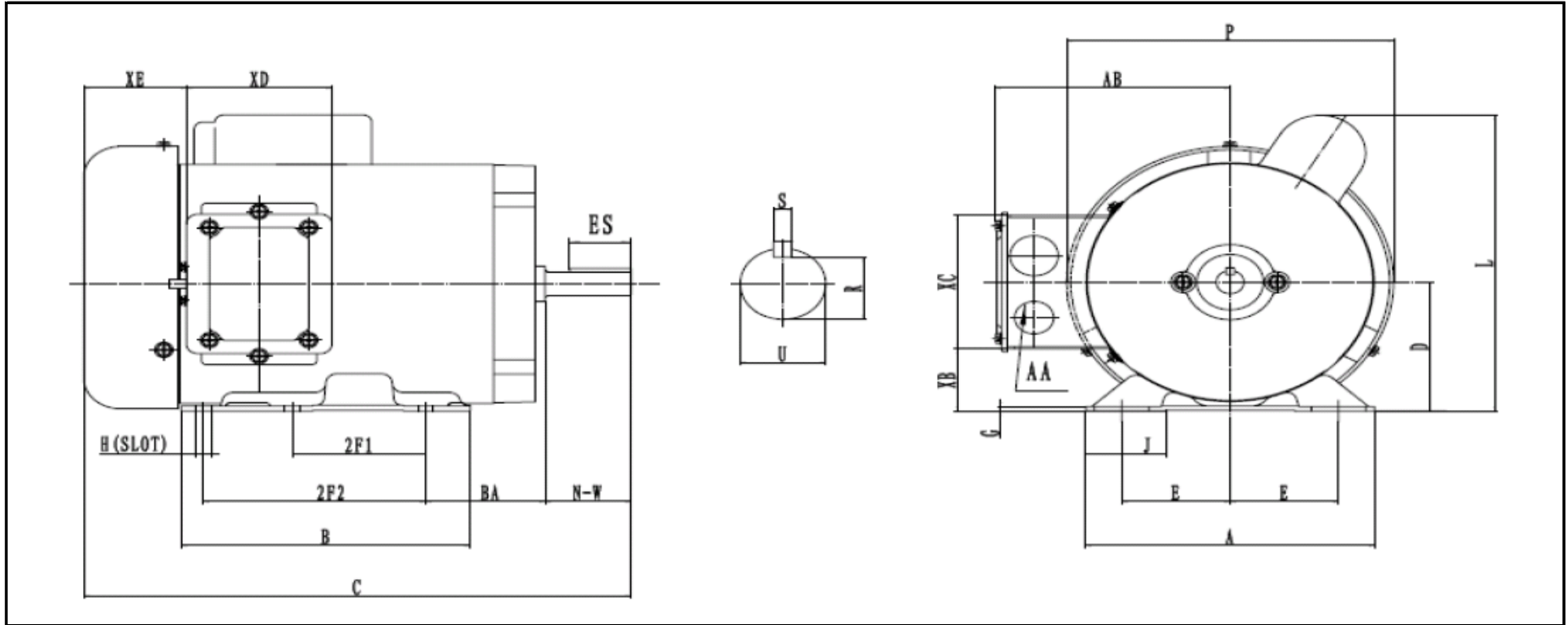


| | | | |
|---------------------------------------|--------------------------|----------------------|-------------|
| HORSEPOWER | 1/2 | | |
| RPM / POLES | 1800 / 4 | | |
| VOLTAGE / PHASE | 115/230 V / 1 | | |
| FRAME | 56 | | |
| ENCLOSURE / DEGREE OF PROTECTION | TEFC / IP54 | | |
| FREQUENCY | 60 HZ | | |
| FULL LOAD SPEED | 1725 RPM | | |
| SERVICE FACTOR | 1.15 | | |
| INSULATION CLASS | F | | |
| FULL LOAD AMPS; 115 / 230 (110 / 220) | 7.2 / 3.6 A | | |
| EFFICIENCY / POWER FACTOR | <u>LOAD</u> | <u>EFF.</u> | <u>P.F.</u> |
| | 100% | 64.5% | 0.68 |
| DUTY CYCLE | Continuous | | |
| TORQUE | <u>FULL LOAD</u> | <u>LRT</u> | |
| | 1.50 lb.ft. | 5.46 lb.ft. | |
| MAX. AMBIENT TEMPERATURE | 40° C | | |
| MAX. ELEVATION | 3300 Ft. Above Sea Level | | |
| TEMPERATURE RISE (At Full Load) | 80° C | | |
| DE BEARING | 6203 | | |
| ODE BEARING | 6203 | | |
| BASE TYPE | Rigid Base | | |
| REGREASING INT. - DE BEARING | --- | | |
| REGREASING INT. - ODE BEARING | --- | | |
| GREASE TYPE | Mobil Polyrex EM | | |
| MOUNTING | F1 | | |
| ROTATION | Bi-Directional | | |
| CONNECTION DIAGRAM | 115/230 V - 6 Lead | | |
| APPROXIMATE WEIGHT | 25 lbs. | | |
| INVERTER RATING | --- | | |
| REPLACEMENT PARTS | Capacitor (Start) | NSC56-2 (400uf/165V) | |
| | Capacitor (Run) | --- | |
| | Capacitor Cover (Start) | NSCCOVER56 | |
| | Capacitor Cover (Run) | --- | |
| | Endbell (DE) | NDEEBELL56-1 | |
| | Endbell (ODE) | NODEEBELL56 | |
| | Fan | NFAN56 | |
| | Fan Cover | NFCOVER56 | |
| | Junction Box | NJBOX56 | |
| | Overload (Manual) | FM12MO | |
| | Switch (Centrifugal) | NCSWITCH56-2 | |
| | Switch (Stationary) | NSSWITCH56 | |



WORLDWIDE ELECTRIC MOTOR DRAWING

FM12-18-56



DIMENSIONS - INCHES

| MOUNTING | | | | | A | B | C | D | G | J | L | P | AB | BC |
|----------|-----|-----|------|------|------|------|------|-----|------|------|-----|-----|-----|-----|
| E | 2F1 | 2F2 | H | BA | | | | | | | | | | |
| 2.44 | 3 | 5 | 0.34 | 2.75 | 6.54 | 6.54 | 11.9 | 3.5 | 0.12 | 1.65 | 8.2 | 7.3 | 5.2 | --- |

| KEY | | KEYSET | FLANGE | | | | SHAFT | | TERMINAL BOX | | | | |
|-------|------|--------|--------|-----|-----|-----|-------|-------|------------------|------|-----|-----|------|
| S | ES | R | AK | AJ | BF | BB | N-W | U | AA | XB | XC | XD | XE |
| 0.188 | 1.41 | 0.517 | --- | --- | --- | --- | 1.88 | 0.625 | 2-0.88 / 2-1.109 | 1.65 | 3.7 | 3.2 | 2.15 |

REVISED - 07/30/15