



WORLDWIDE ELECTRIC MOTOR DATA SHEET

FD3-18-184TC



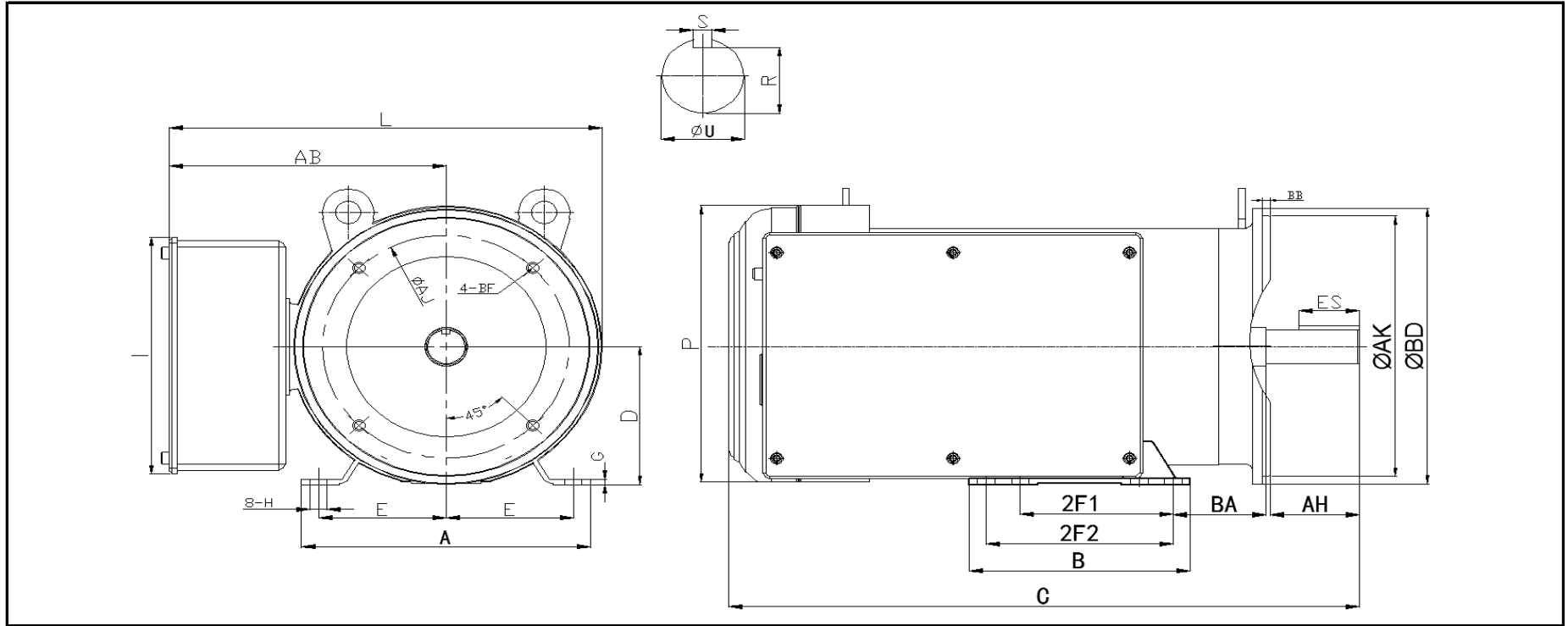
HORSEPOWER	3		
RPM / POLES	1800 / 4		
VOLTAGE / PHASE	208-230 V / 1		
FRAME	184TC		
ENCLOSURE / DEGREE OF PROTECTION	TEFC / IP55		
FREQUENCY	60 HZ		
FULL LOAD SPEED	1769 RPM		
SERVICE FACTOR	1.15		
INSULATION CLASS	F		
FULL LOAD AMPS	12.5 A		
LOCKED ROTOR AMPS (STARTING)	89.2 A		
NO LOAD CURRENT	4.2 A		
NEMA CODE LETTER	H		
EFFICIENCY / POWER FACTOR	<u>LOAD</u>	<u>EFF.</u>	<u>P.F.</u>
	100%	84.4%	0.91
	75%	83.0%	0.89
	50%	78.3%	0.84
DUTY CYCLE	CONTINUOUS		
TORQUE	<u>FULL LOAD</u>	<u>LRT</u>	<u>BDT</u>
	8.76 lb.ft.	284%	278%
MAX. AMBIENT TEMPERATURE	40° C		
MAX. ELEVATION	3300 Ft. Above Sea Level		
TEMPERATURE RISE (At Full Load)	80° C		
BASE TYPE	Rigid Base		
CAPACITOR (START)	250uF / 300/300V		
CAPACITOR (RUN)	30uF / 450V		
DE BEARING	6306ZZ		
ODE BEARING	6206ZZ		
REGREASING INT. - DE BEARING	---		
REGREASING INT. - ODE BEARING	---		
GREASE TYPE	Multemp SRL		
MOUNTING	F1		
ROTATION	Bi-Directional		
SHAFT MATERIAL	1045 Carbon Steel		
CONNECTION DIAGRAM	230 V - 4 Lead		
APPROXIMATE WEIGHT	76 lbs.		





WORLDWIDE ELECTRIC MOTOR DRAWING

FD-184TC



DIMENSIONS - INCHES

MOUNTING									
E	2F1	2F2	H	BA	A	B	C	D	G
3.75	4.5	5.5	0.41	2.75	8.5	6.5	18.6	4.5	0.14

KEYSET	KEY													
R	ES	S	U	AH	P	AB	I	L	AK	BD	AJ	BF	BB	
0.986	1.78	0.25	1.125	2.62	9	8.2	7.7	12.8	8.5	9	7.25	1/2-13	0.25	