



WORLDWIDE ELECTRIC MOTOR DATA SHEET

FD3-18-184T



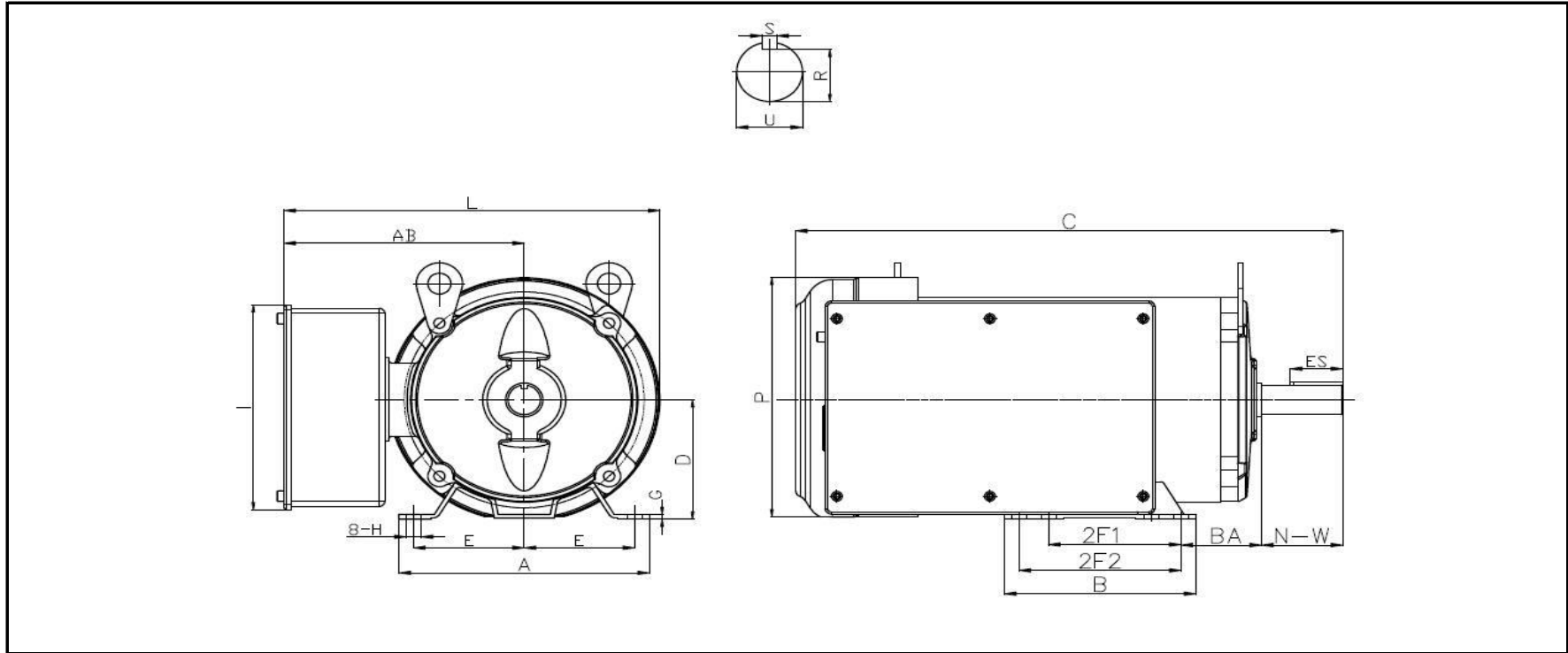
| | | | |
|----------------------------------|--------------------------|-------------|-------------|
| HORSEPOWER | 3 | | |
| RPM / POLES | 1800 / 4 | | |
| VOLTAGE / PHASE | 208-230 V / 1 | | |
| FRAME | 184T | | |
| ENCLOSURE / DEGREE OF PROTECTION | TEFC / IP55 | | |
| FREQUENCY | 60 HZ | | |
| FULL LOAD SPEED | 1769 RPM | | |
| SERVICE FACTOR | 1.15 | | |
| INSULATION CLASS | F | | |
| FULL LOAD AMPS | 12.5 A | | |
| LOCKED ROTOR AMPS (STARTING) | 89.2 A | | |
| NO LOAD CURRENT | 4.2 A | | |
| NEMA CODE LETTER | H | | |
| EFFICIENCY / POWER FACTOR | <u>LOAD</u> | <u>EFF.</u> | <u>P.F.</u> |
| | 100% | 84.4% | 0.91 |
| | 75% | 83.0% | 0.89 |
| | 50% | 78.3% | 0.84 |
| DUTY CYCLE | CONTINUOUS | | |
| TORQUE | <u>FULL LOAD</u> | <u>LRT</u> | <u>BDT</u> |
| | 8.76 lb.ft. | 284% | 278% |
| | | | |
| MAX. AMBIENT TEMPERATURE | 40° C | | |
| MAX. ELEVATION | 3300 Ft. Above Sea Level | | |
| TEMPERATURE RISE (At Full Load) | 80° C | | |
| BASE TYPE | Rigid Base | | |
| CAPACITOR (START) | 250uF / 300/300V | | |
| CAPACITOR (RUN) | 30uF / 450V | | |
| DE BEARINS | 6306ZZ | | |
| ODE BEARING | 6206ZZ | | |
| REGREASING INT. - DE BEARING | --- | | |
| REGREASING INT. - ODE BEARING | --- | | |
| GREASE TYPE | Multemp SRL | | |
| MOUNTING | F1 | | |
| ROTATION | Bi-Directional | | |
| SHAFT MATERIAL | 1045 Carbon Steel | | |
| CONNECTION DIAGRAM | 230 V - 4 Lead | | |
| APPROXIMATE WEIGHT | 76 lbs. | | |





WORLDWIDE ELECTRIC MOTOR DRAWING

FD-184T



DIMENSIONS - INCHES

| MOUNTING | | | | | | | | | |
|-----------------|------------|------------|----------|-----------|----------|----------|----------|----------|----------|
| E | 2F1 | 2F2 | H | BA | A | B | C | D | G |
| 3.75 | 4.5 | 5.5 | 0.41 | 2.75 | 8.5 | 6.5 | 18.6 | 4.5 | 0.41 |

| KEYSET | KEY | | | U | N-W | P | AB | I | L |
|---------------|------------|----------|--|----------|------------|----------|-----------|----------|----------|
| 0.986 | ES | S | | 1.125 | 2.75 | 9 | 8.2 | 7.7 | 12.8 |

REVISED - 03/06/18