



WORLDWIDE ELECTRIC MOTOR DATA SHEET

FD2-18-182T



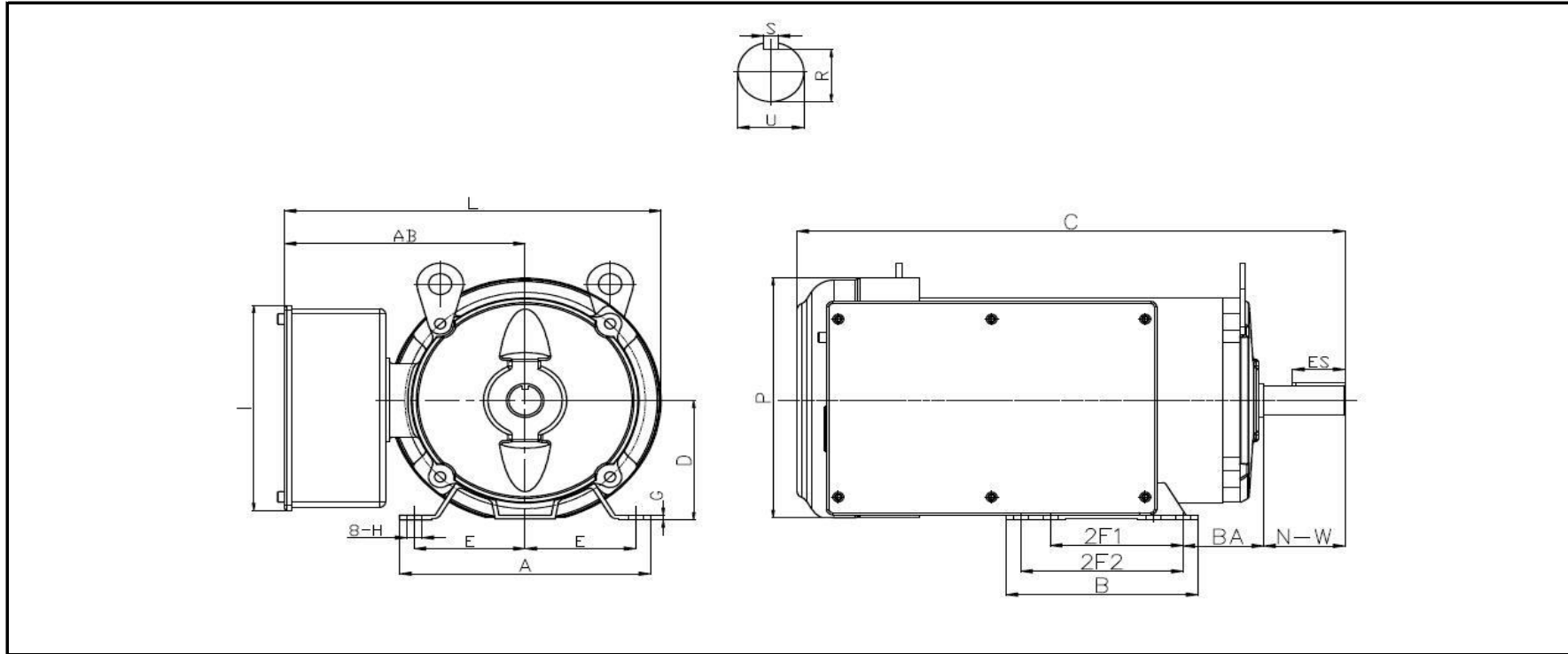
HORSEPOWER	2		
RPM / POLES	1800 / 4		
VOLTAGE / PHASE	208-230 V / 1		
FRAME	182T		
ENCLOSURE / DEGREE OF PROTECTION	TEFC / IP55		
FREQUENCY	60 HZ		
FULL LOAD SPEED	1764 RPM		
SERVICE FACTOR	1.15		
INSULATION CLASS	F		
FULL LOAD AMPS	8.5 A		
LOCKED ROTOR AMPS (STARTING)	78.6 A		
NO LOAD CURRENT	3.0 A		
NEMA CODE LETTER	L		
EFFICIENCY / POWER FACTOR	<u>LOAD</u>	<u>EFF.</u>	<u>P.F.</u>
	100%	84.0%	0.92
	75%	82.4%	0.90
	50%	77.1%	0.84
DUTY CYCLE	CONTINUOUS		
TORQUE	<u>FULL LOAD</u>	<u>LRT</u>	<u>BDT</u>
	6.01 lb.ft.	363%	368%
MAX. AMBIENT TEMPERATURE	40° C		
MAX. ELEVATION	3300 Ft. Above Sea Level		
TEMPERATURE RISE (At Full Load)	80° C		
BASE TYPE	Rigid Base		
CAPACITOR (START)	250uF / 300/300V		
CAPACITOR (RUN)	25uF / 450V		
DE BEARINS	6306ZZ		
ODE BEARING	6206ZZ		
REGREASING INT. - DE BEARING	---		
REGREASING INT. - ODE BEARING	---		
GREASE TYPE	Multemp SRL		
MOUNTING	F1		
ROTATION	Bi-Directional		
SHAFT MATERIAL	1045 Carbon Steel		
CONNECTION DIAGRAM	230 V - 4 Lead		
APPROXIMATE WEIGHT	54 lbs.		





WORLDWIDE ELECTRIC MOTOR DRAWING

FD-182T



DIMENSIONS - INCHES

MOUNTING									
E	2F1	2F2	H	BA	A	B	C	D	G
3.75	4.5	5.5	0.41	2.75	8.5	6.5	18.6	4.5	0.41

KEYSET	KEY			U	N-W	P	AB	I	L
0.986	ES	S		1.125	2.75	9	8.2	7.7	12.8