



# WORLDWIDE ELECTRIC MOTOR DATA SHEET



## AT34-18-56

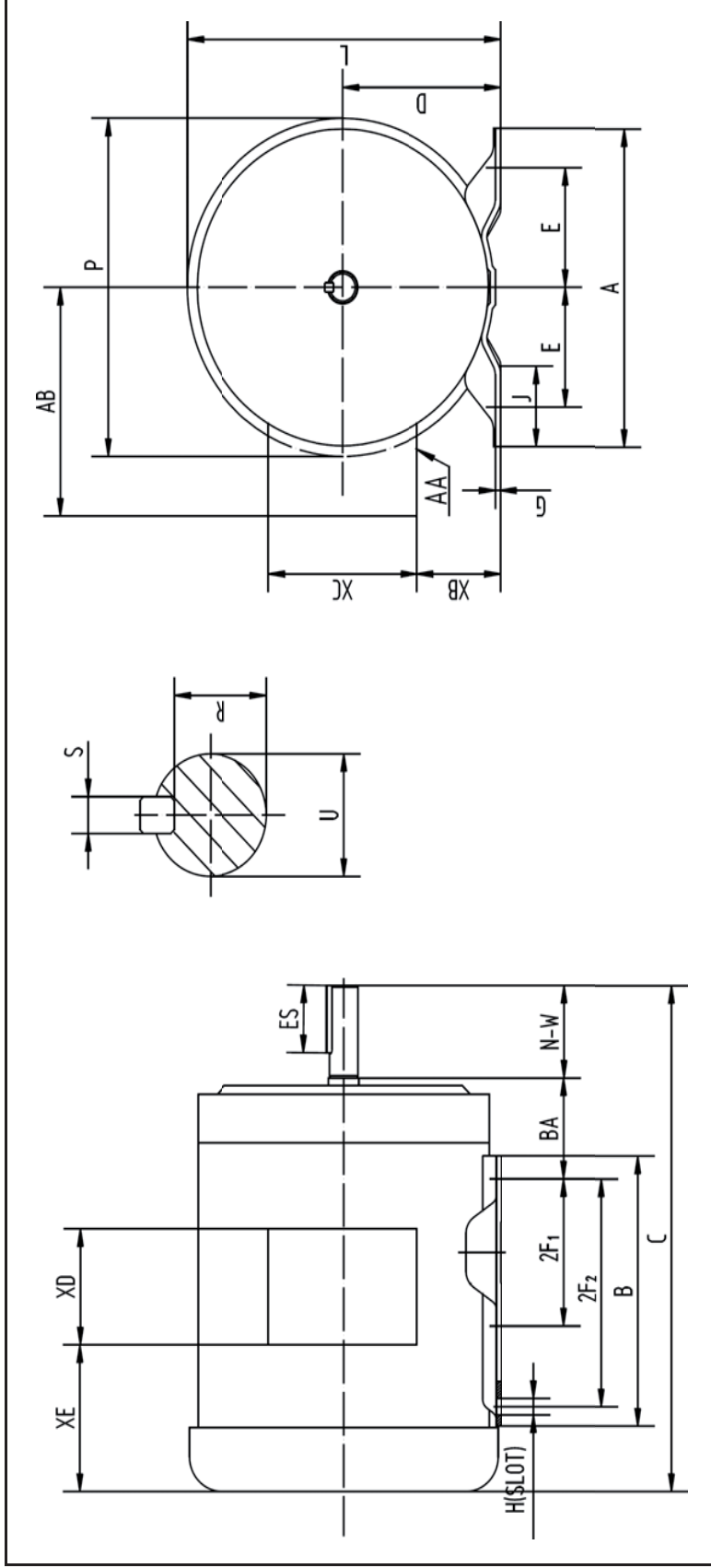
HP	3/4
RPM / POLES	1800 / 4
VOLTAGE / PHASE	208-230/460 V / 3
FRAME	56
ENCLOSURE	TEFC
FREQUENCY	60 HZ
RATED SPEED	1725 RPM
FULL LOAD AMPS	3.1-2.8/1.4 A
DUTY CYCLE	CONTINUOUS
SERVICE FACTOR	1.15
INSULATION CLASS	F
BASE TYPE	RIGID
SHAFT	KEYED
DE BEARING	6203
ODE BEARING	6203
MOUNTING	F1
ROTATION	CW / CCW
OVERLOAD	---
START CAPACITOR	---
RUN CAPACITOR	---
WIRE TYPE	LOOSE WIRE
WIRE HOUSING	JUNCTION BOX
CONNECTION DIAGRAM	208-230/460 V - 9 LEAD
APPROX. WEIGHT	25 LBS.
FL EFFICIENCY	71.0%



REVISED - 01/01/11



WORLDWIDE ELECTRIC MOTOR DRAWING  
**AT34-18-56**



MOUNTING				
E	2F1	2F2	H	BA
2.44	3	5	0.34	2.75

A	B	C	D	G	J	L	P
6.5	6.5	11.8	3.5	0.12	1.73	7	6.9

KEY			KEYSEAT			SHAFT			TERMINAL BOX		
AA	AB	ES	R	S	N-W	U	XB	XC	XD	XE	
1/2	5.35	1.41	0.517	0.188	1.88	0.625	1.65	3.7	3.23	2.85	

ALL DIMENSIONS IN INCHES